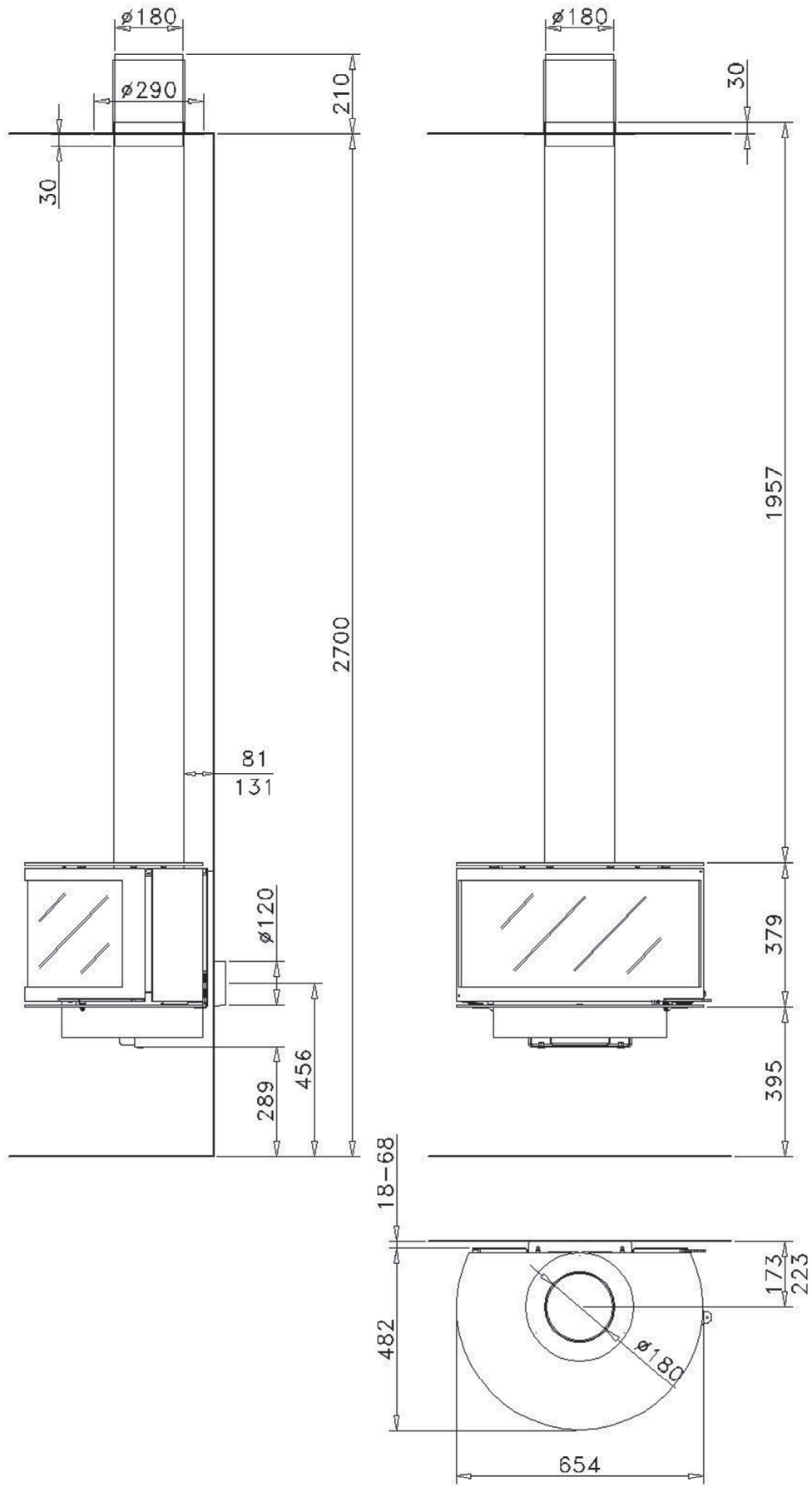
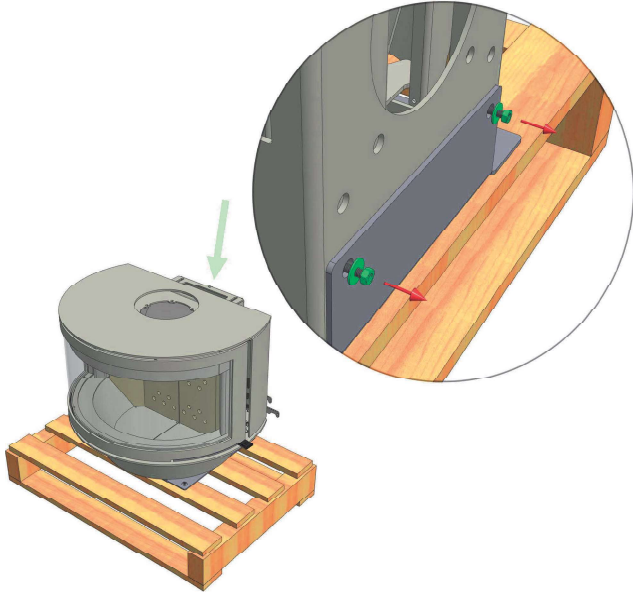


ANEXO/ANNEX/ANNEXE/ANESSO

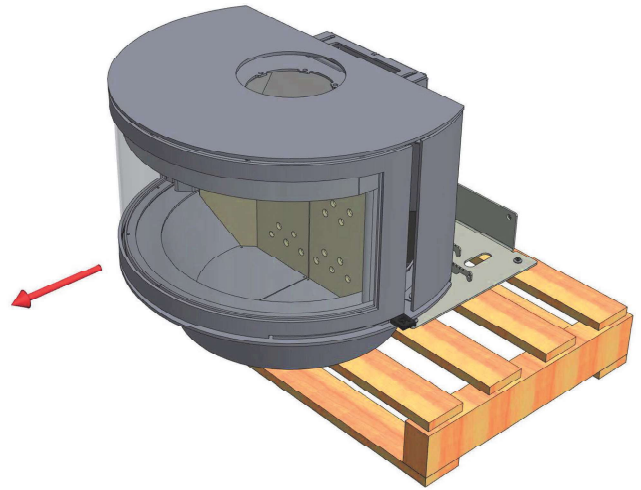


III

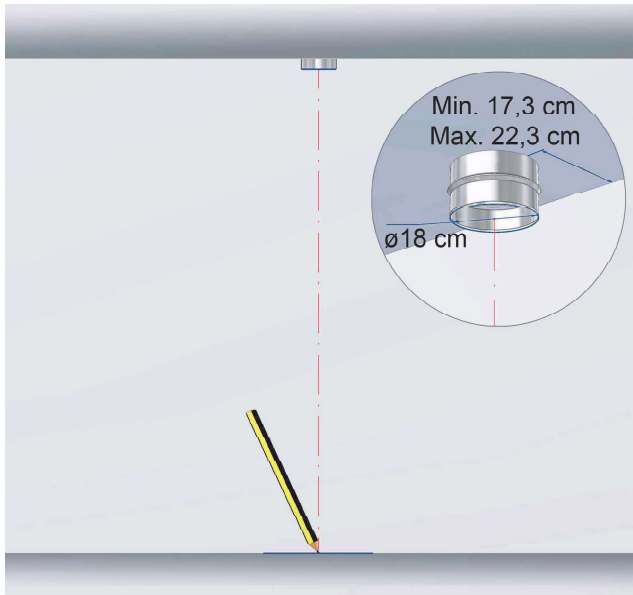
1.



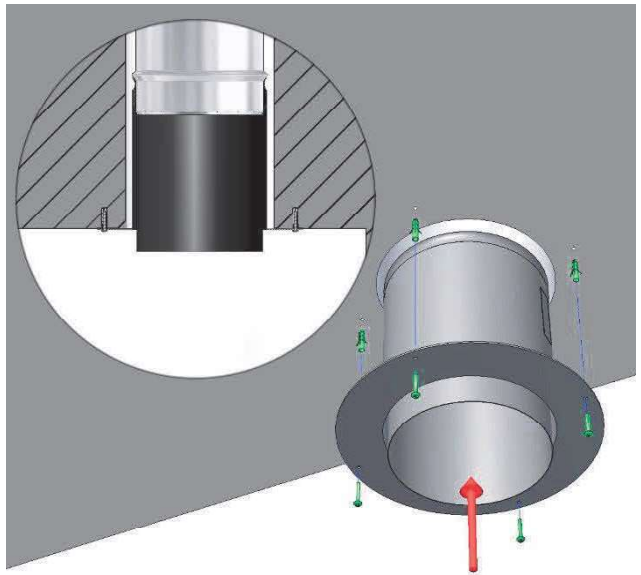
2.



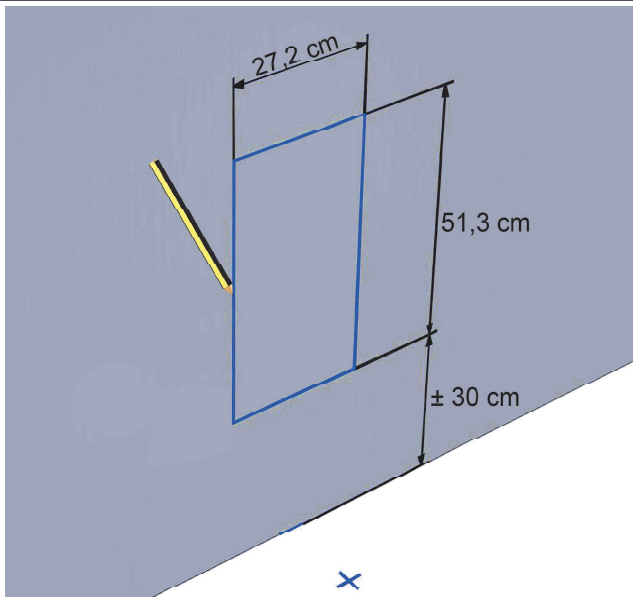
3.



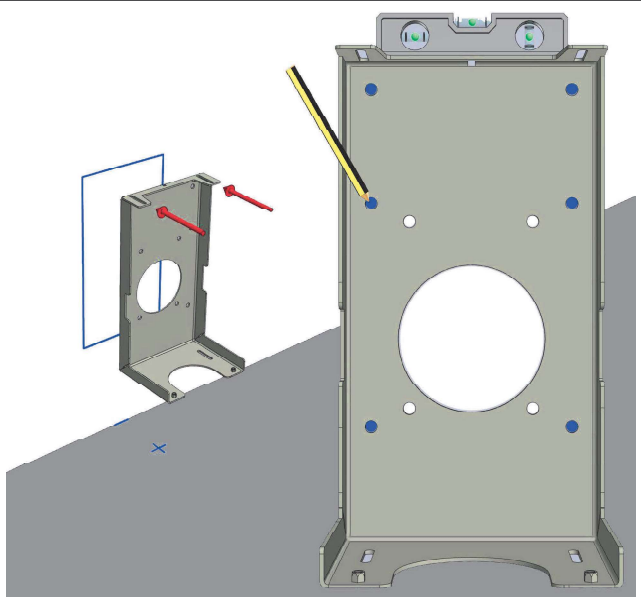
4.



5.

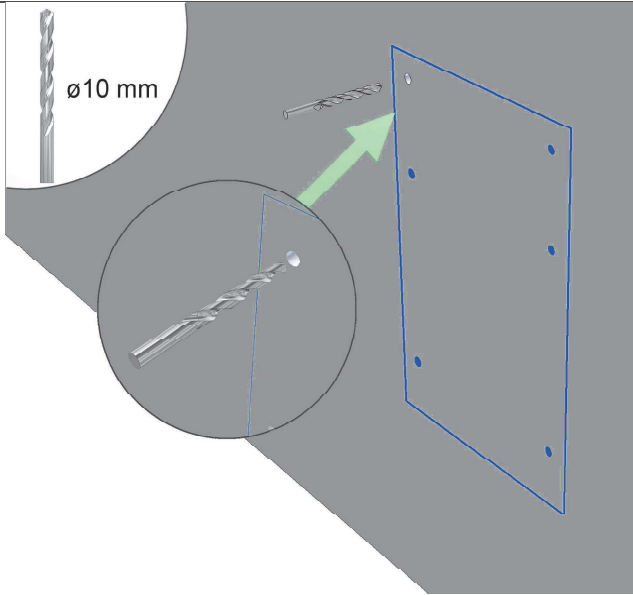


6.

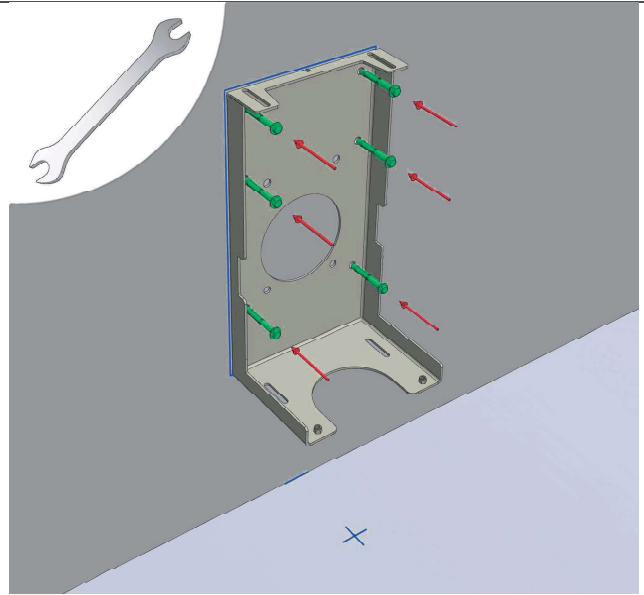


III

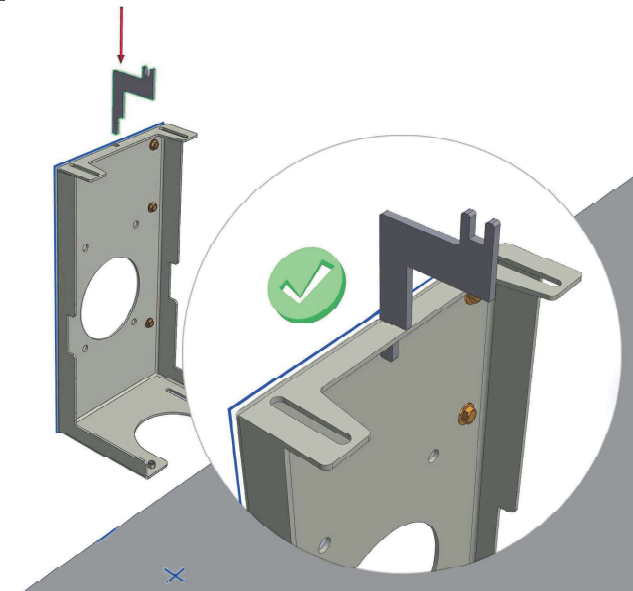
7.



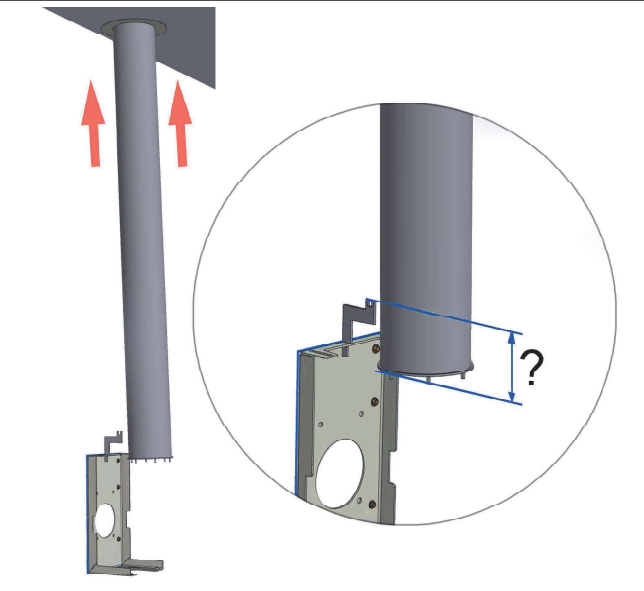
8.



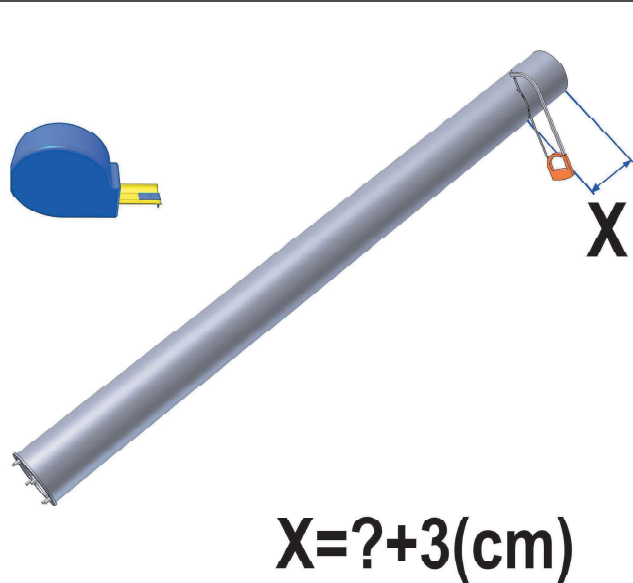
9.



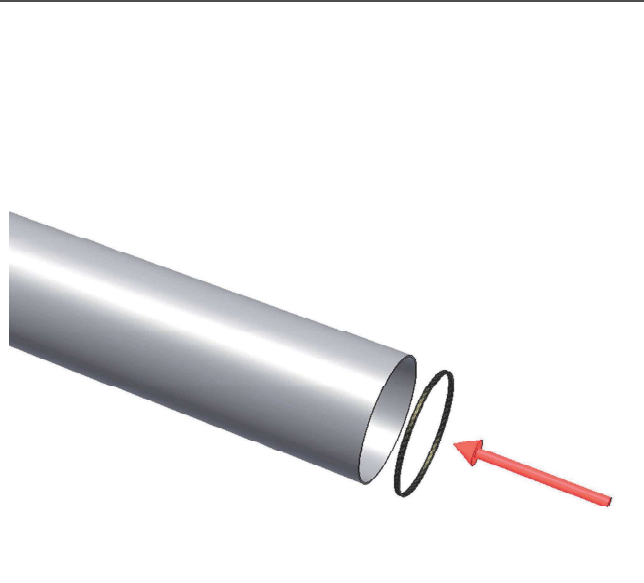
10.



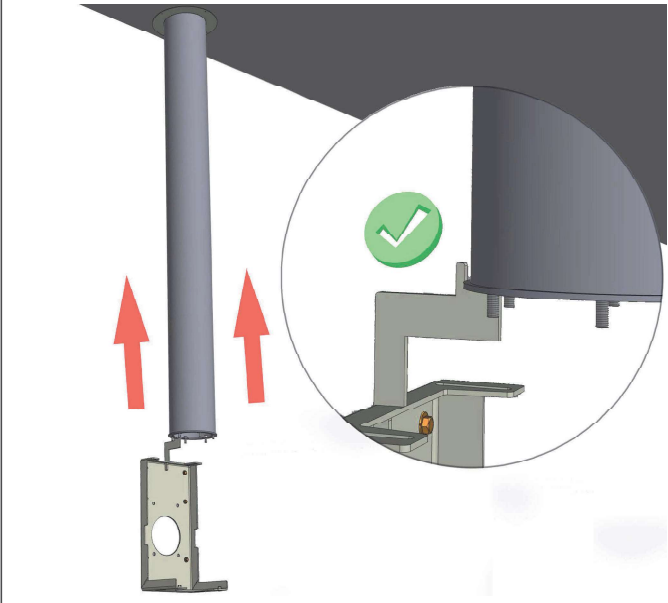
11.



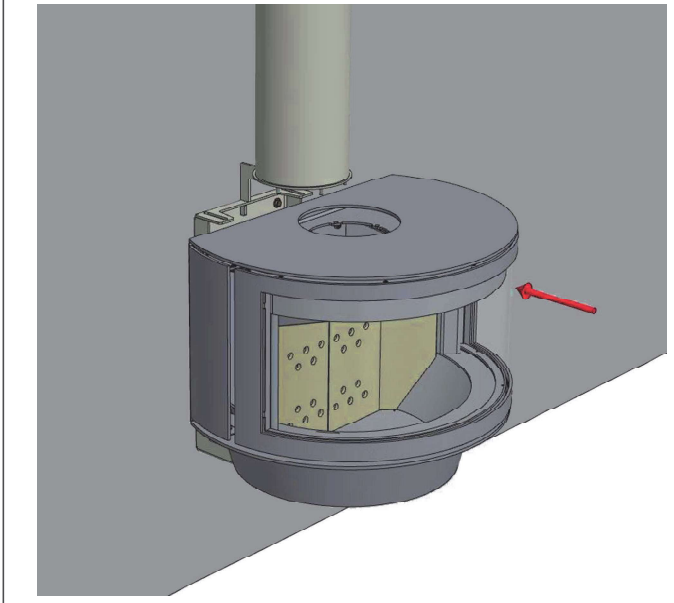
12.



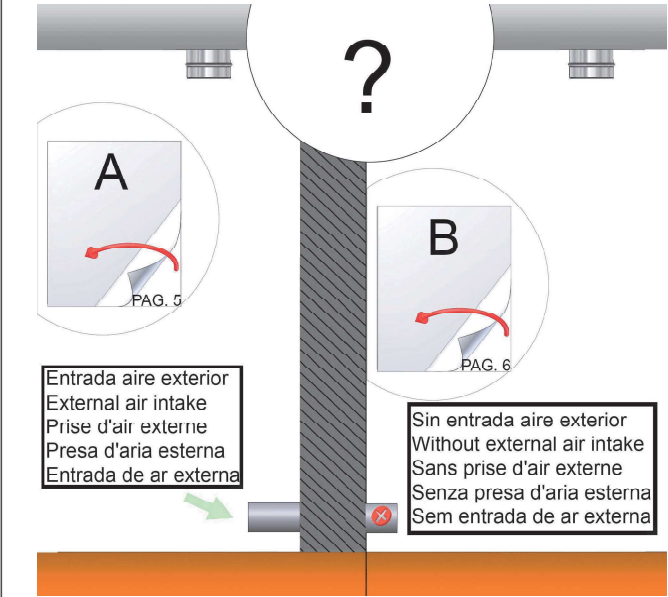
13.



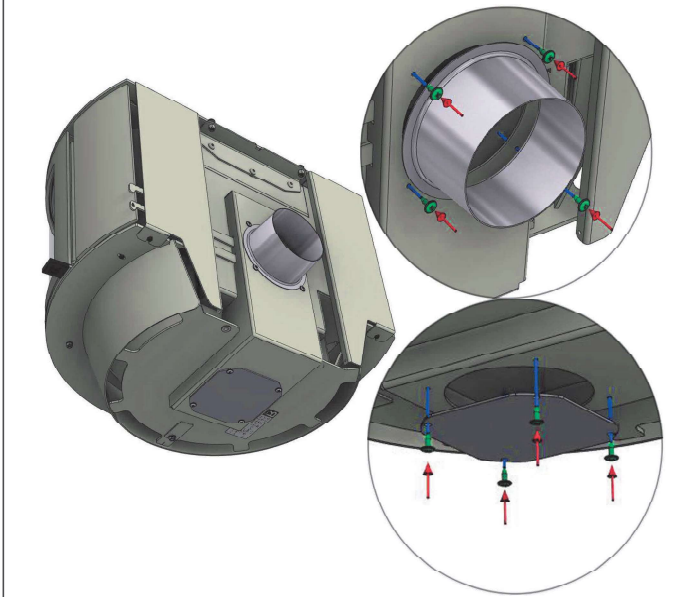
14.



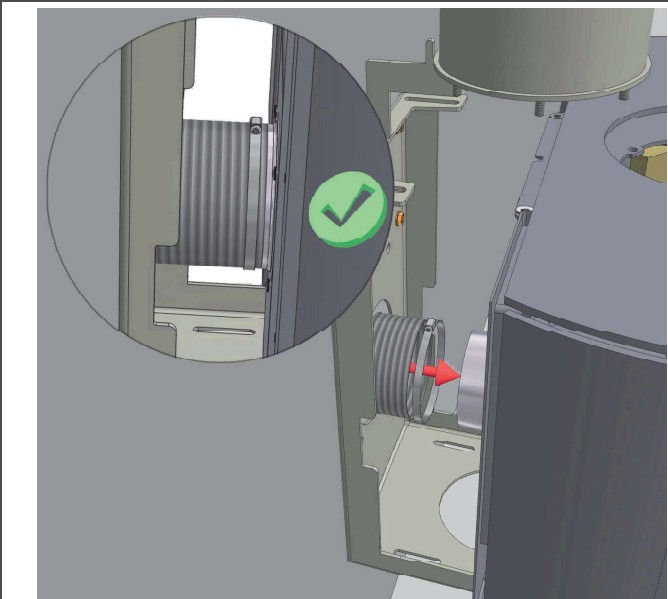
15.



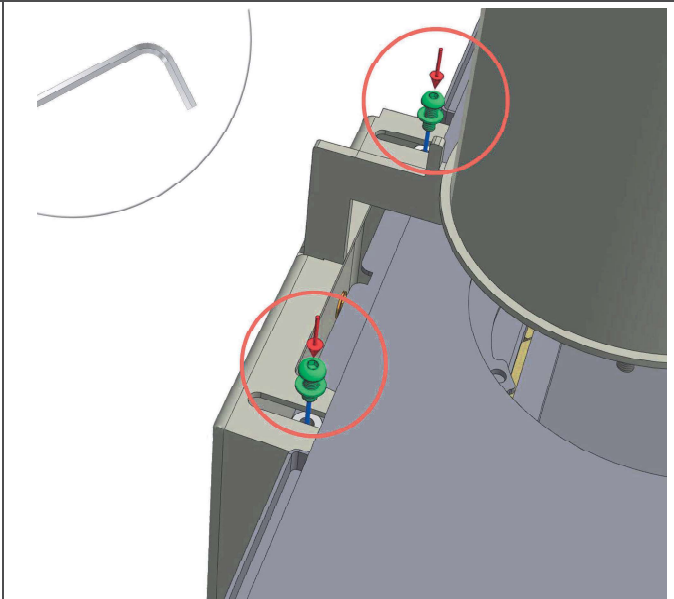
A.1



A.2

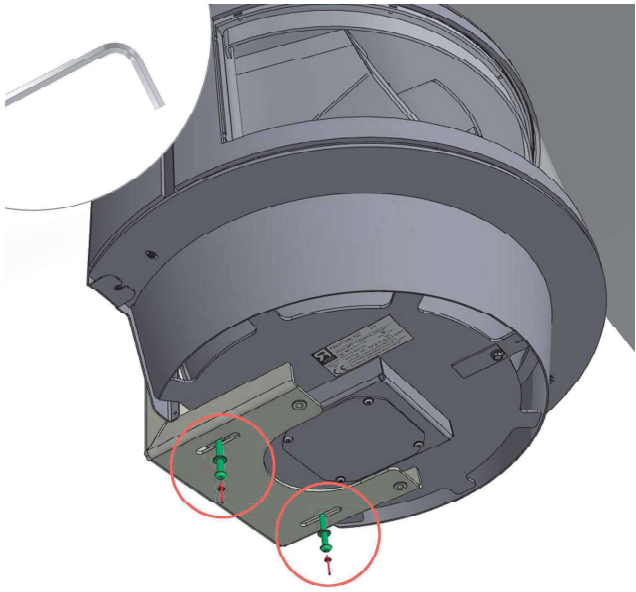


B.1

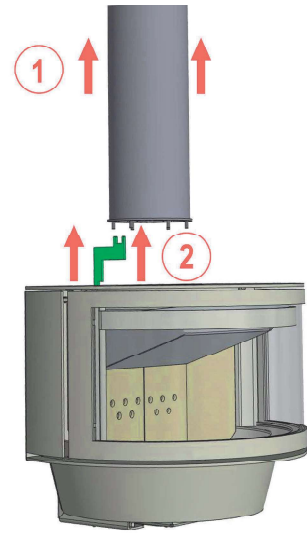


III

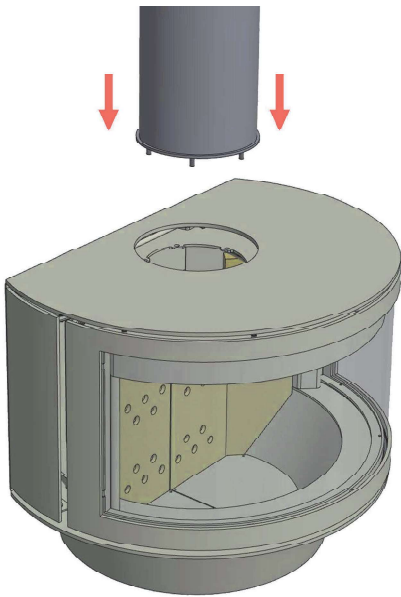
B.2



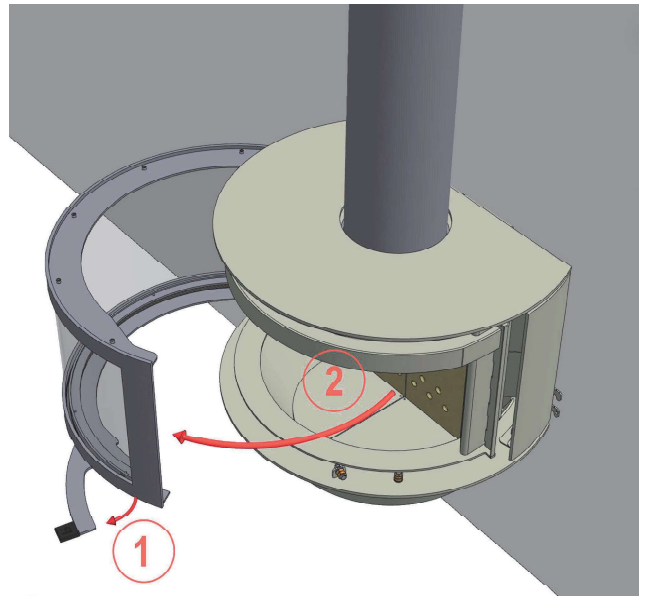
B.3



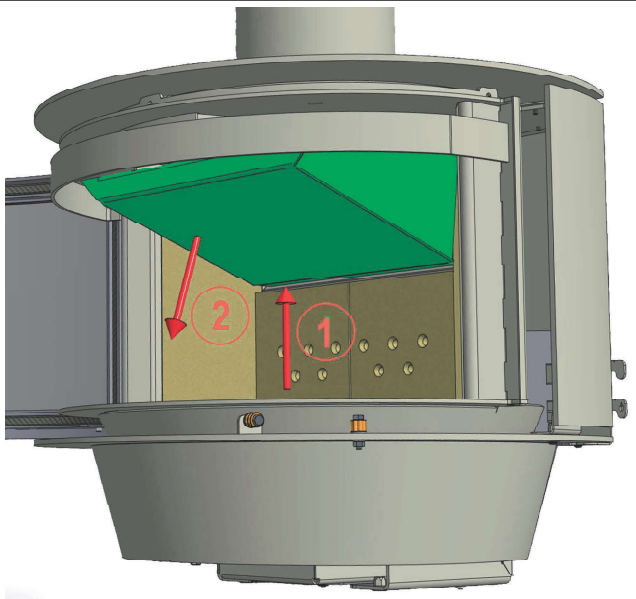
B.4



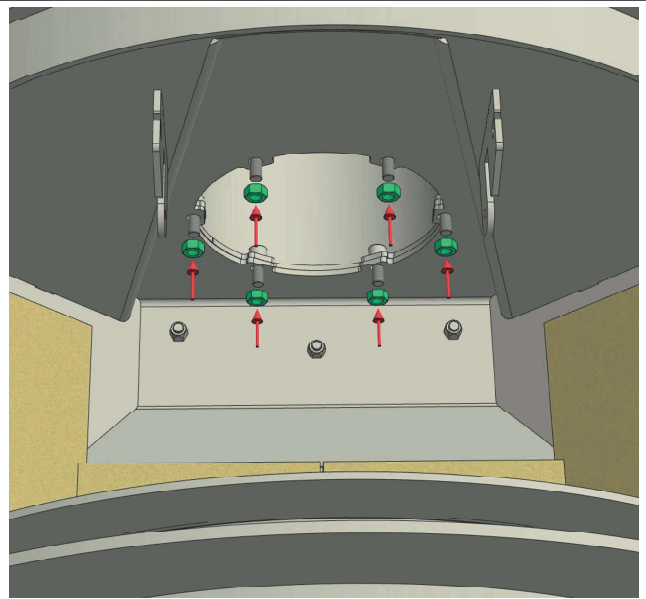
B.5



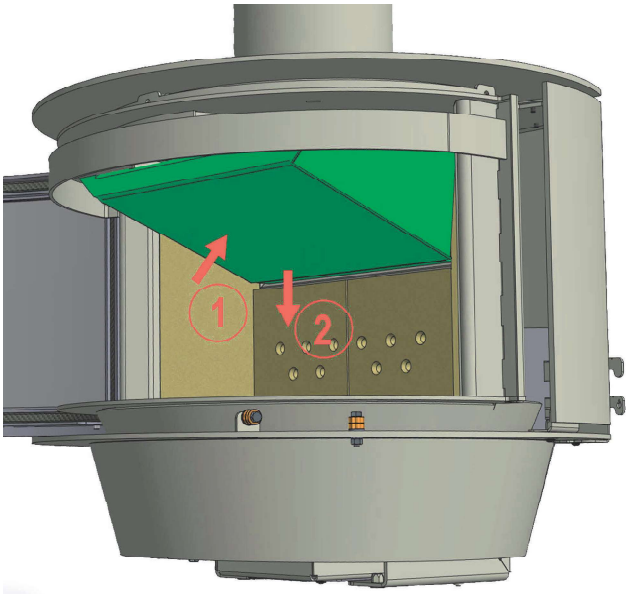
B.6



B.7

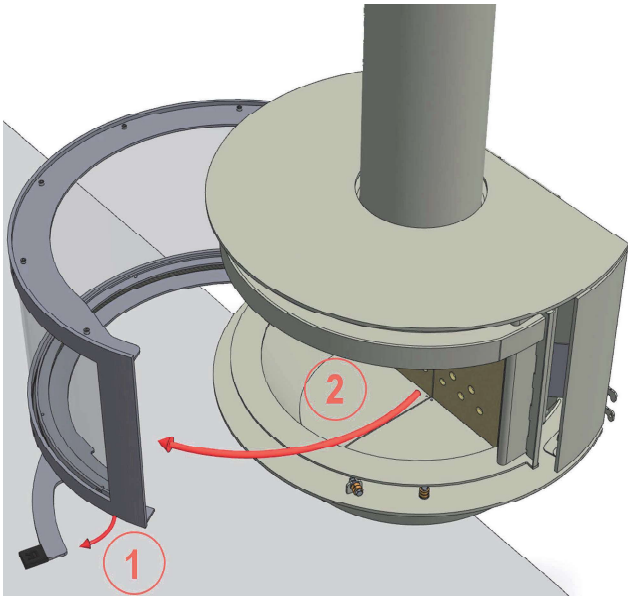


B.8

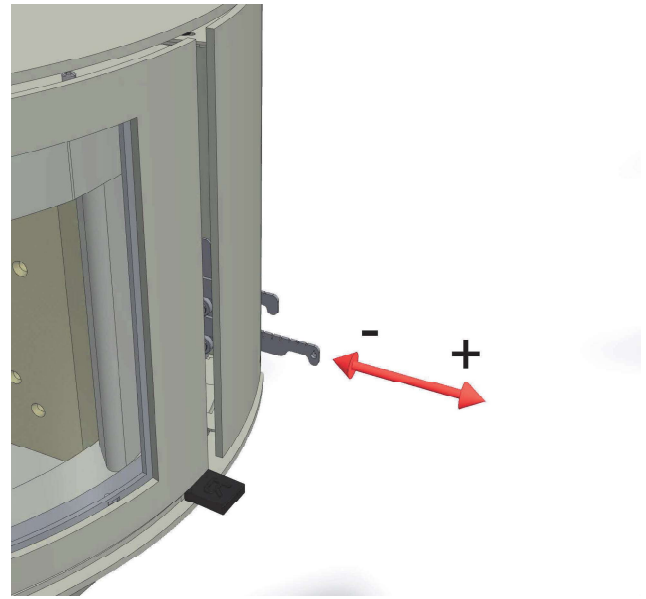


IV

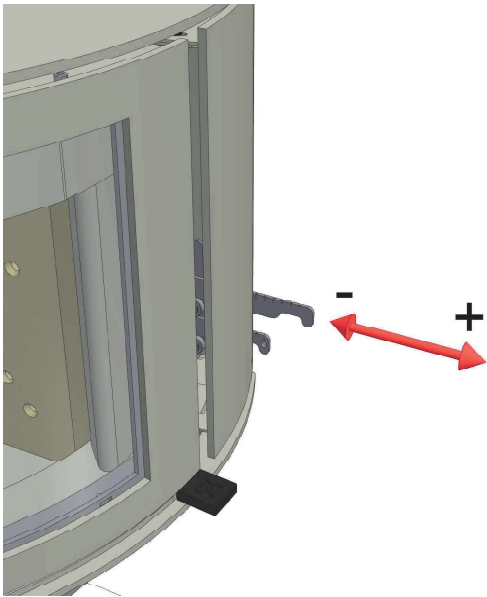
C.1



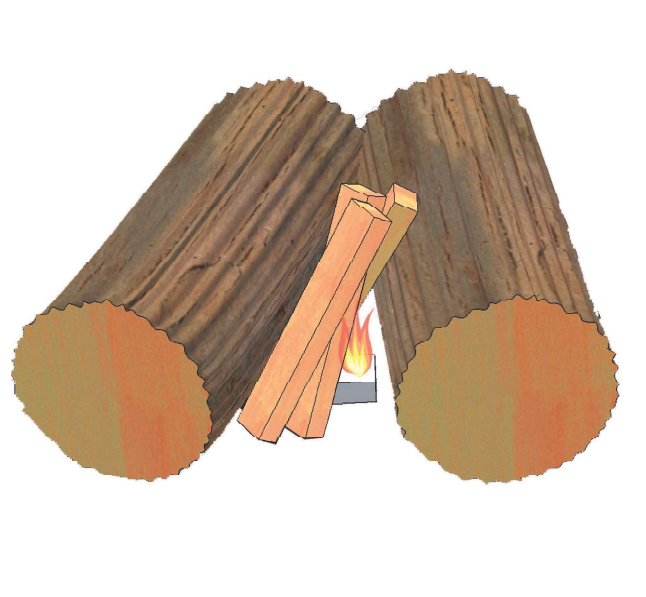
C.2



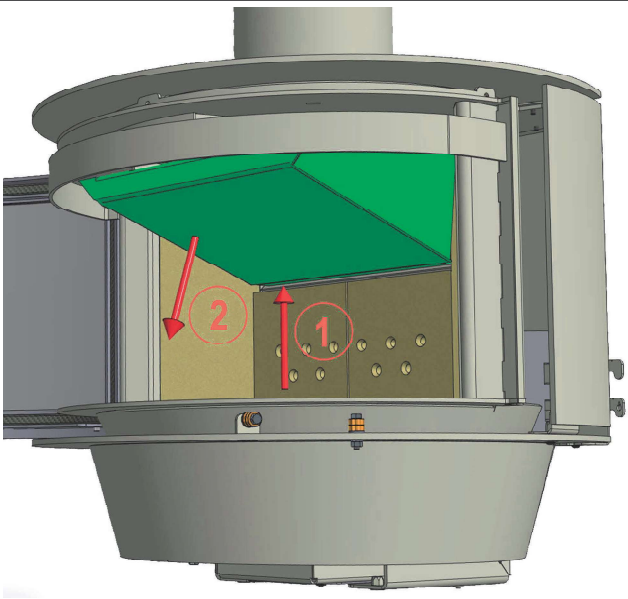
C.3



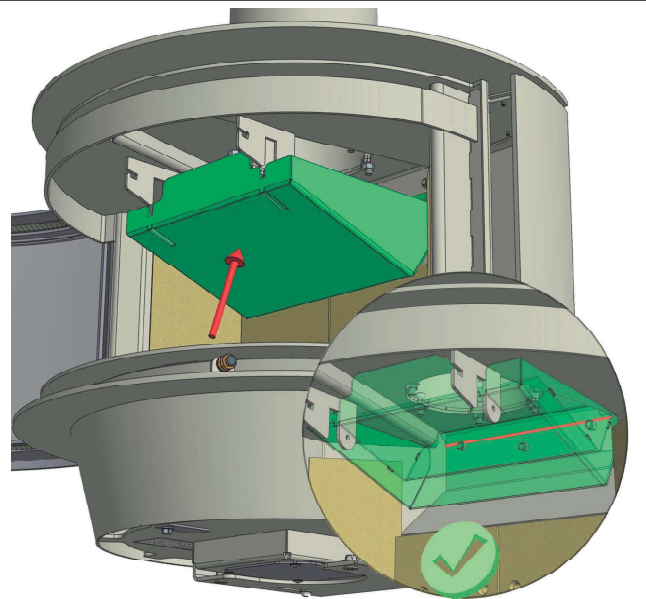
C.4



C.5

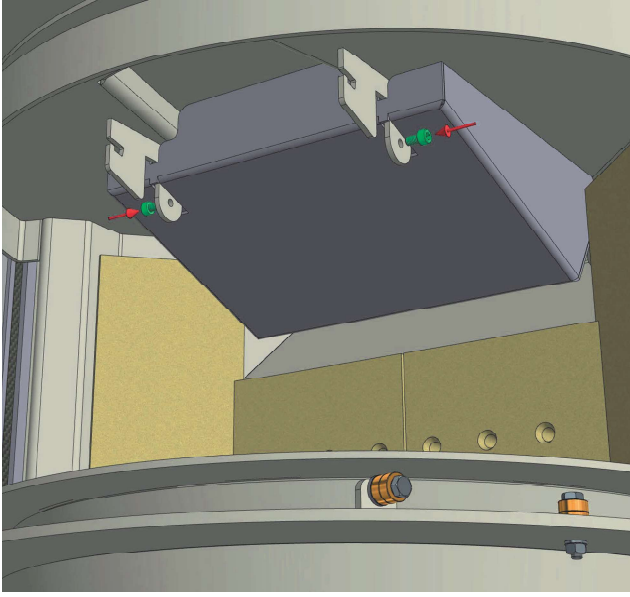


C.6

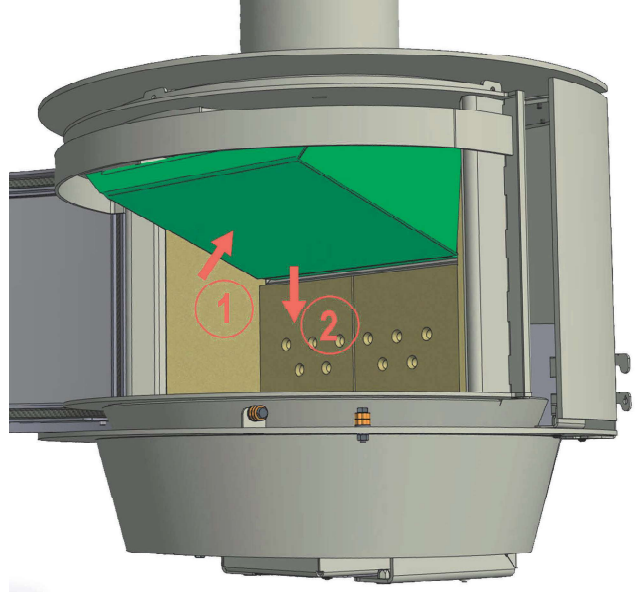


IV

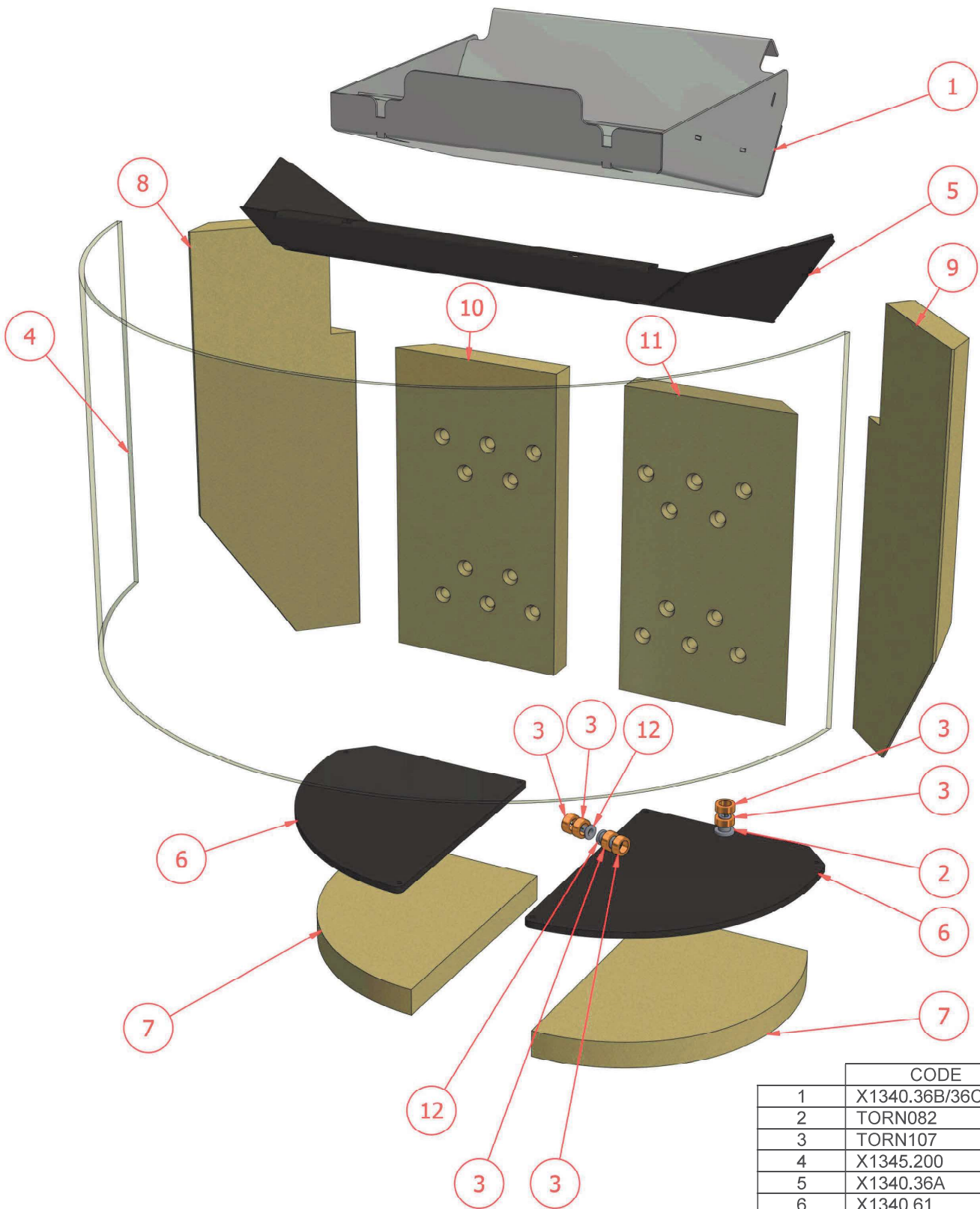
C.7



C.8



V



	CODE
1	X1340.36B/36C
2	TORN082
3	TORN107
4	X1345.200
5	X1340.36A
6	X1340.61
7	VRX1340.3
8	VRX1340.7
9	VRX1340.8
10	VRX1340.4
11	VRX1340.5
12	TORN064