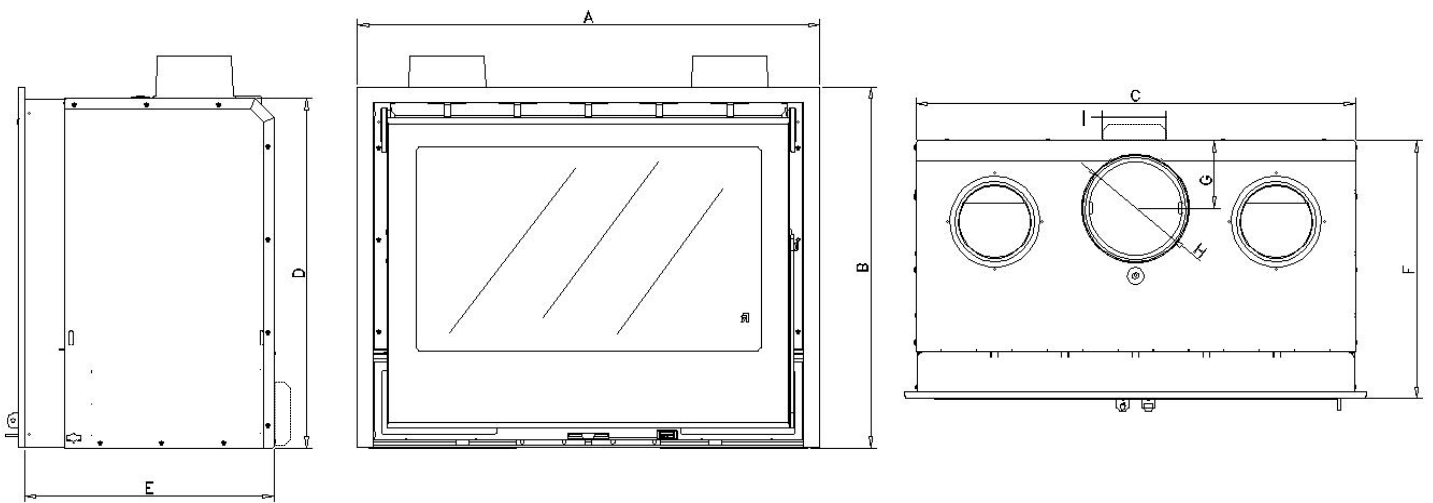


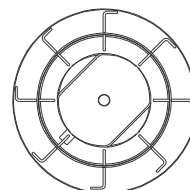
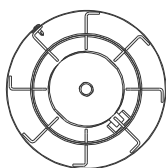
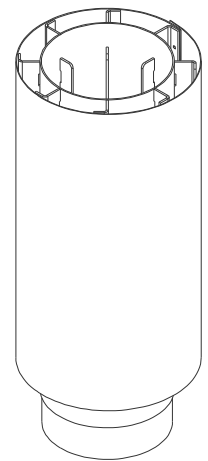
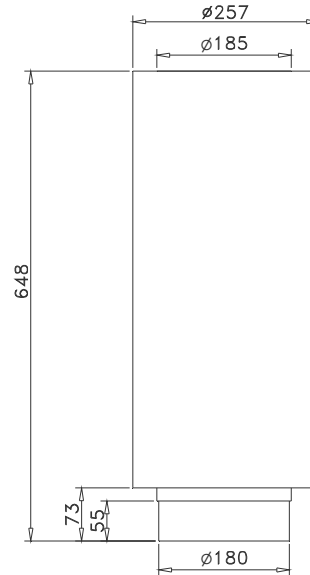
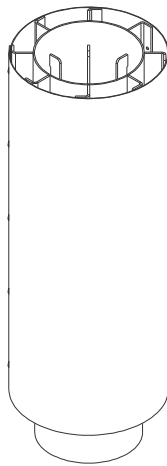
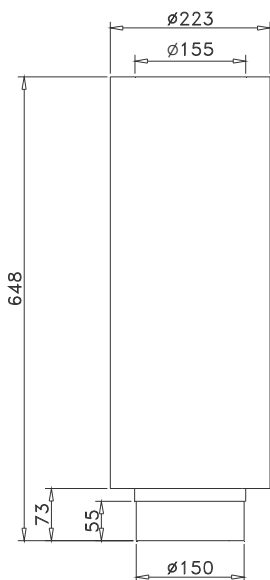
# ANEXO/ANNEX/ANNEXE/ANESSO



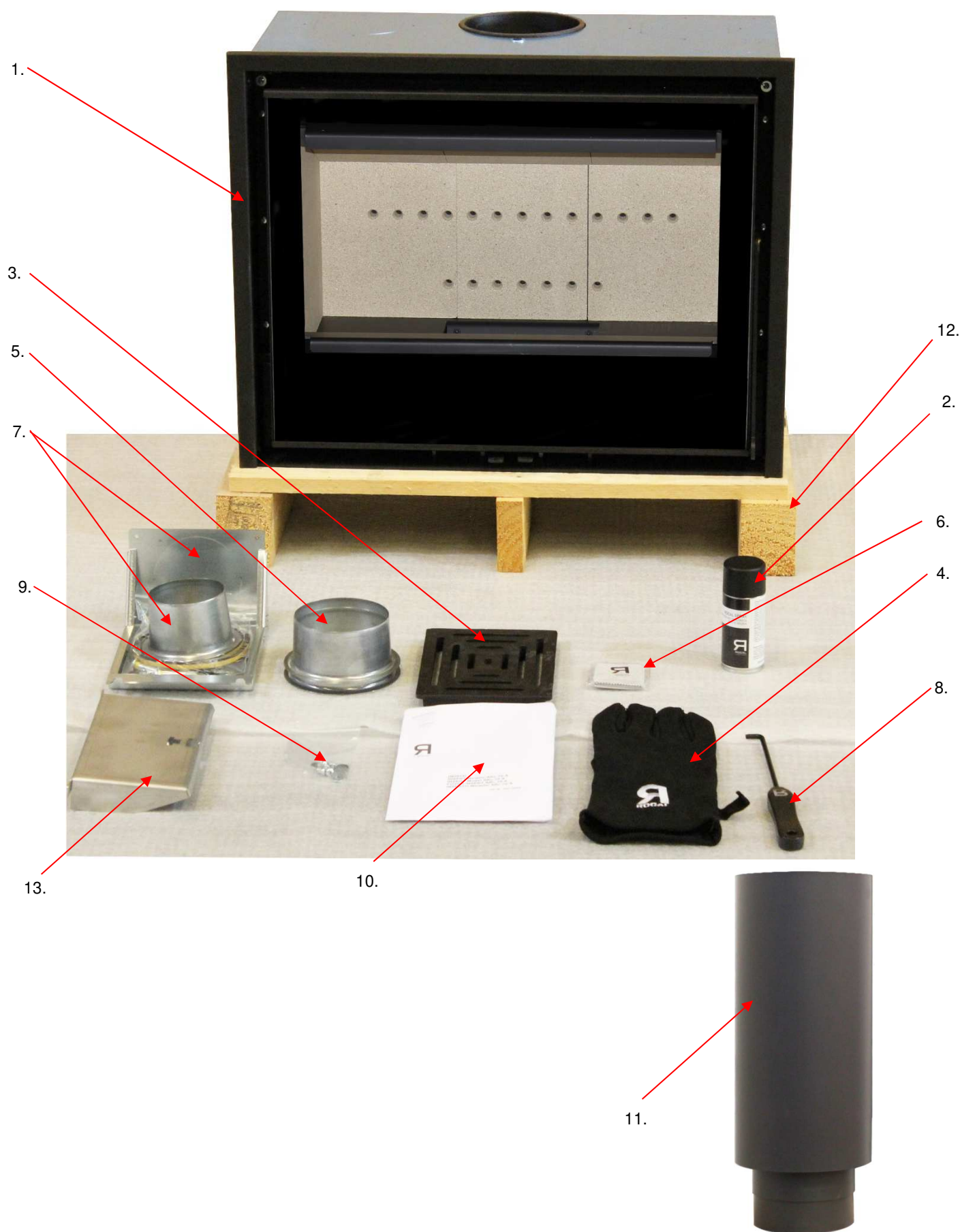
mm	ARc 50V ARc 50V +Plus 150	ARc 70 ARc 70 +Plus 150	ARc 70A ARc 70A +Plus 150	ARc 70C ARc 70C +Plus 150	ARc 80 ARc 80 +Plus 180	ARc 100
A	550	725	725	725	819	725
B	701	511	564	511	586	511
C	516	691	691	532	785	691
D	683	493	546	493	568	493
E	391	391	391	391	411	391
F	401	401	401	401	421	401
G	105	105	105	105	119	105
H	150	150	150	150	180	180
I	100	100	100	100	100	100

## Plus 150

## Plus 180

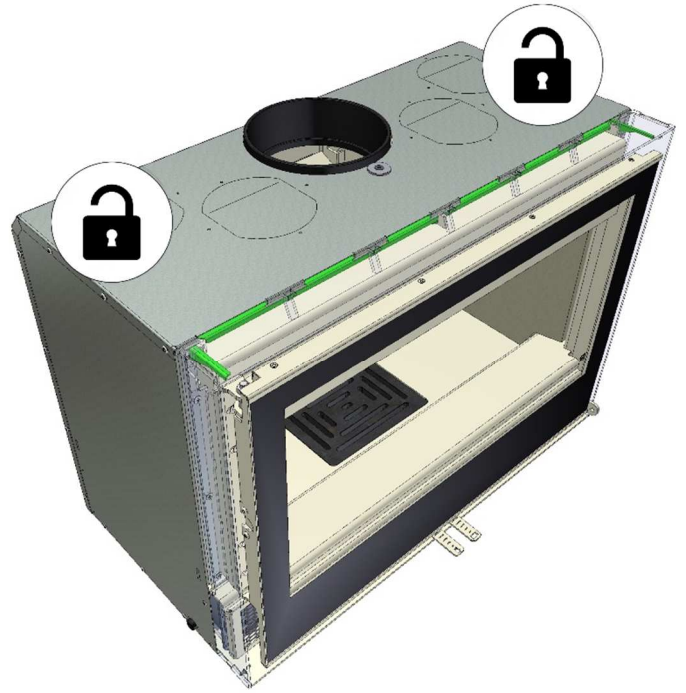
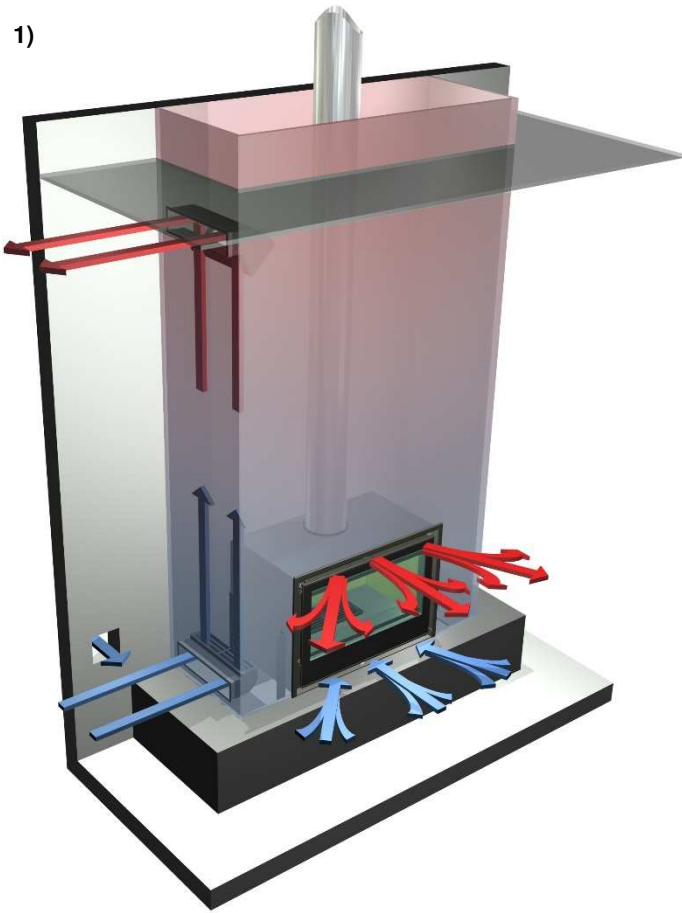


# II

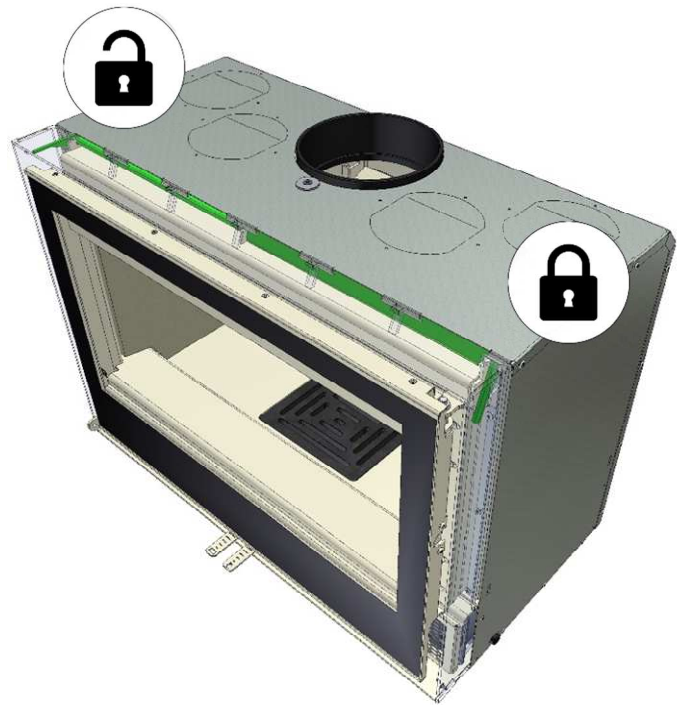
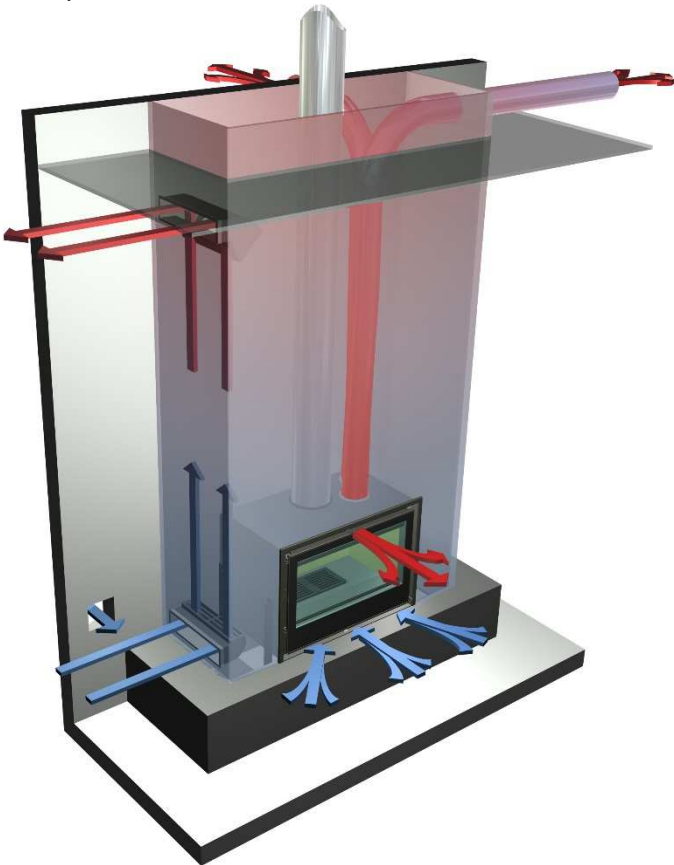


# III

1)



2)

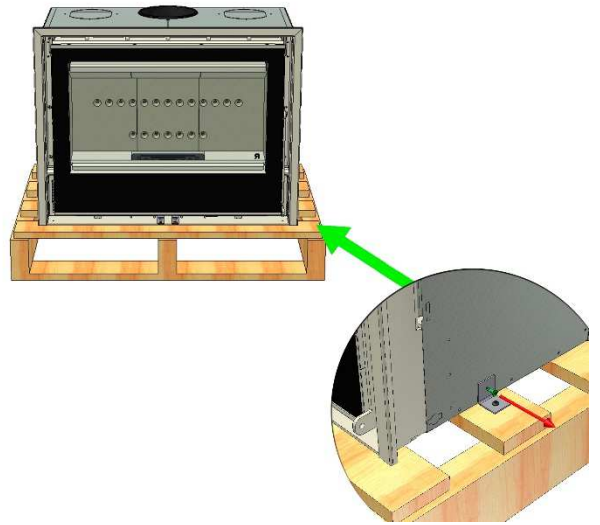


# III

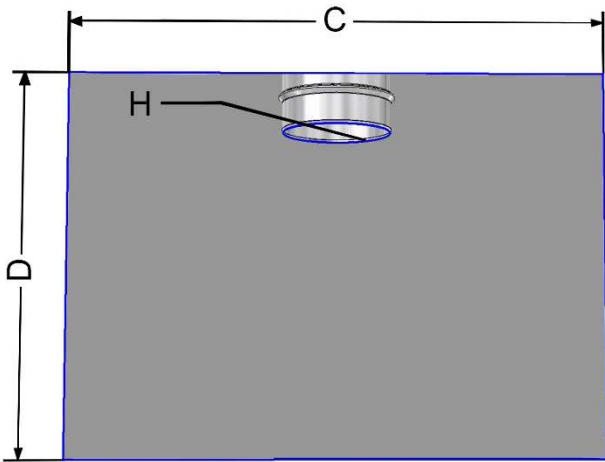
1.



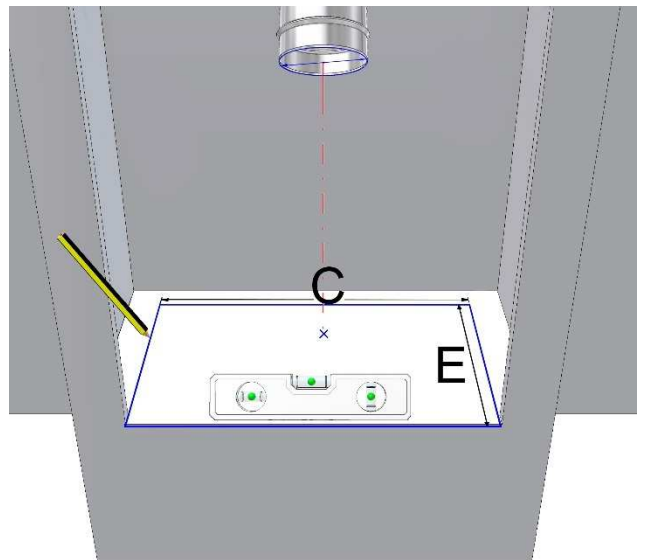
2.



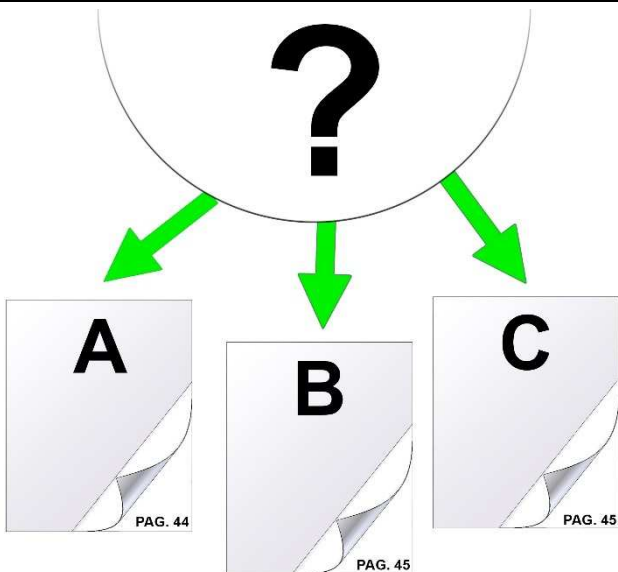
3.



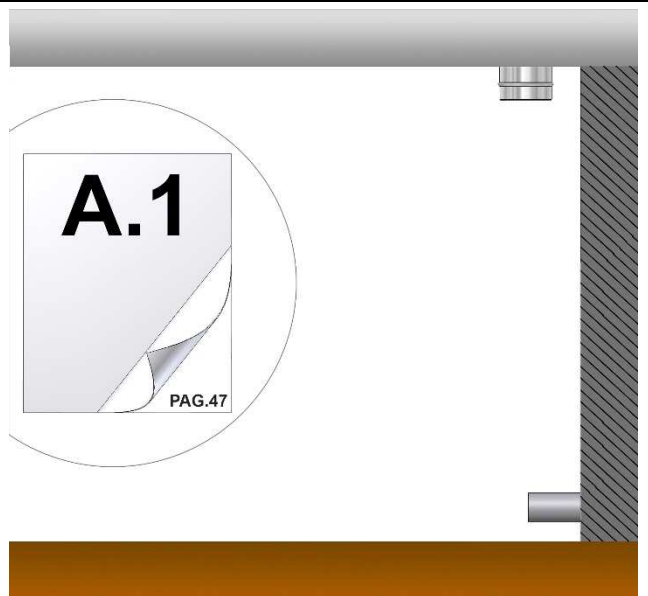
4.



5.



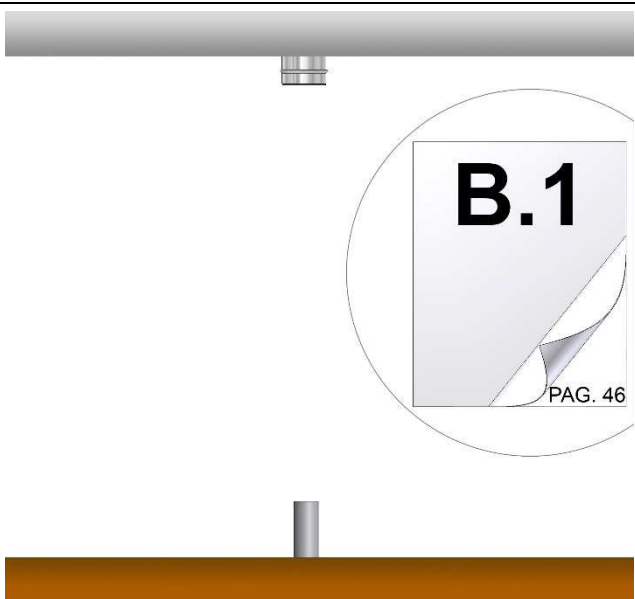
A.



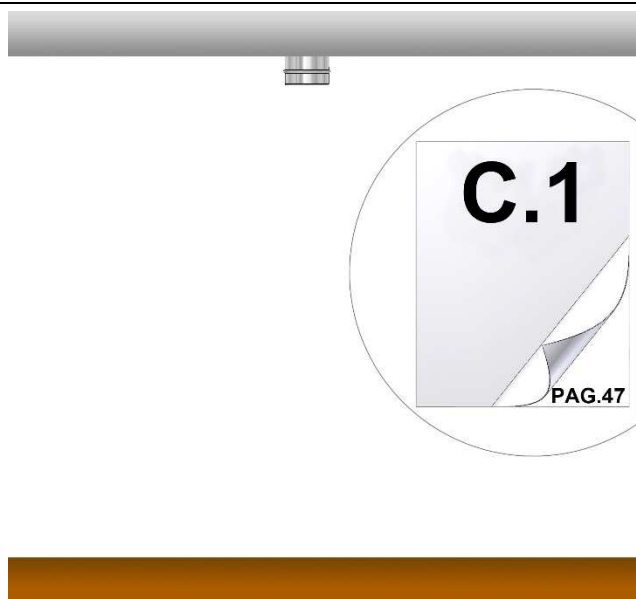


# III

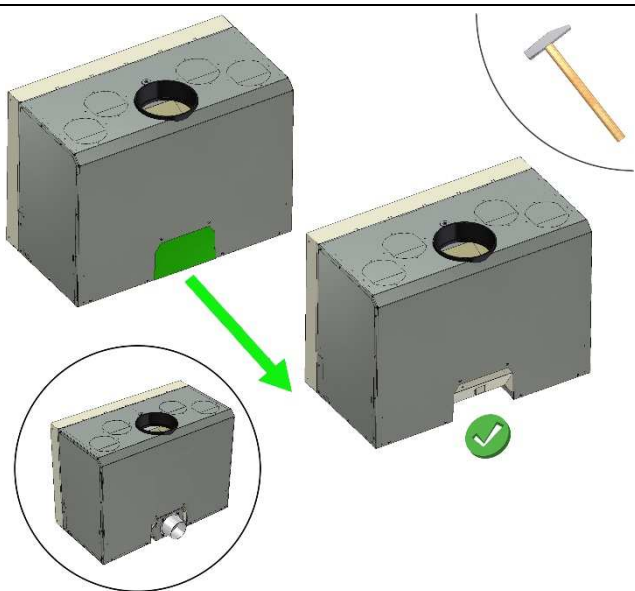
B.



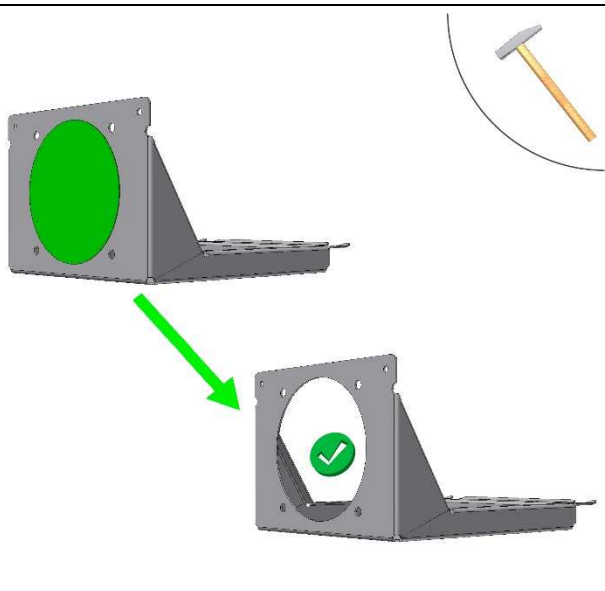
C.



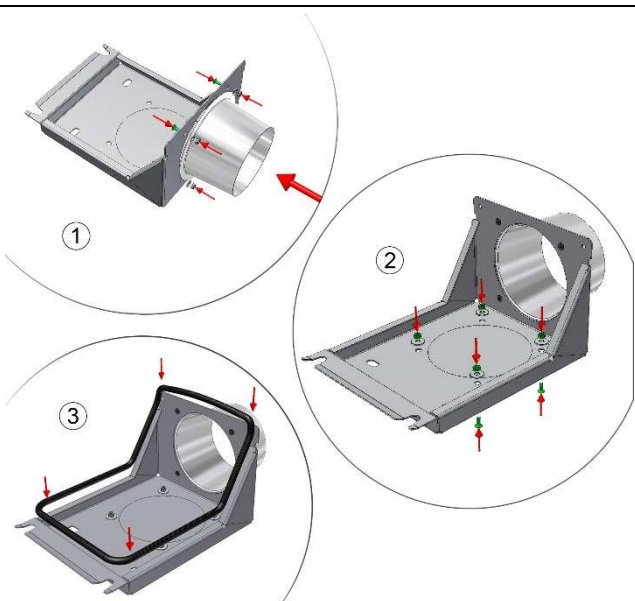
A.1



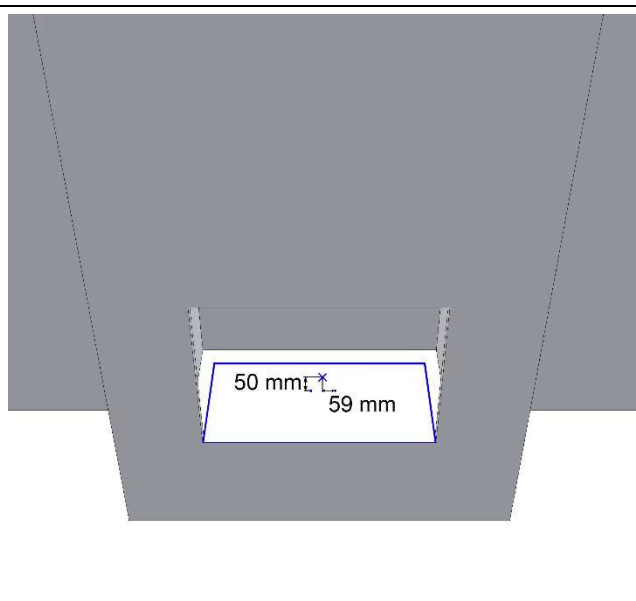
A.2



A.3

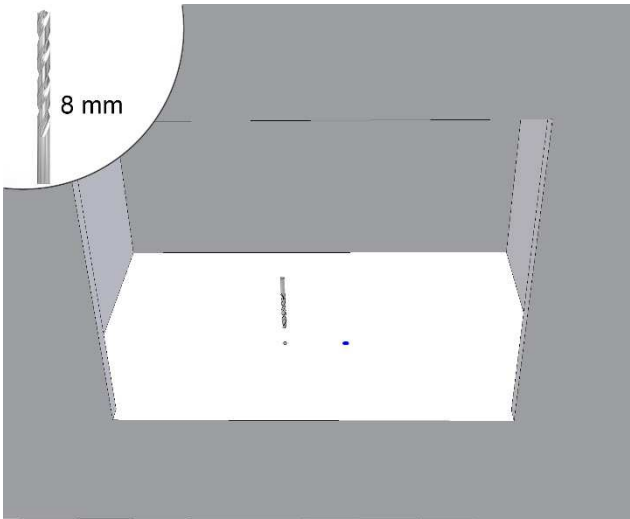


A.4

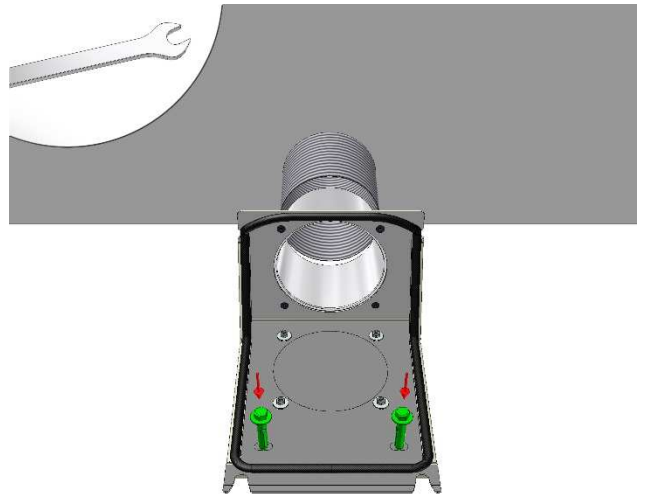


# III

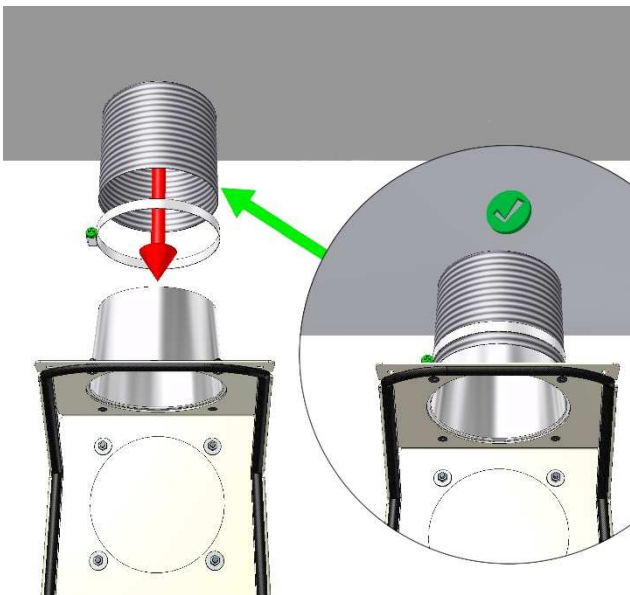
A.5



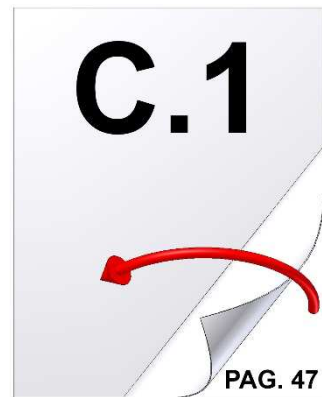
A.6



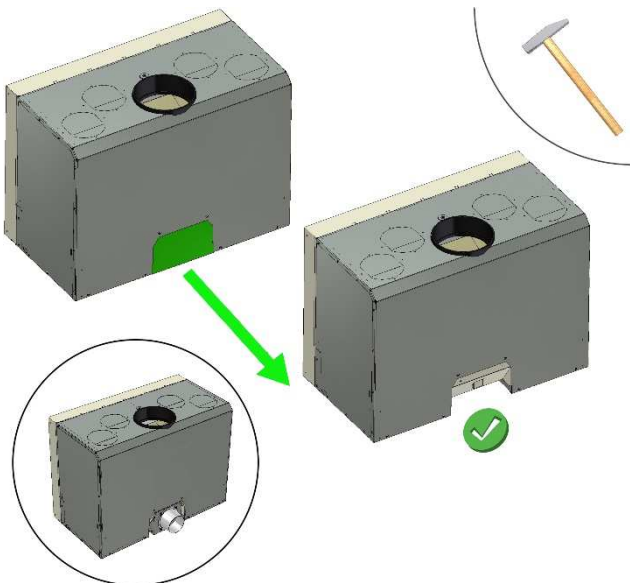
A.7



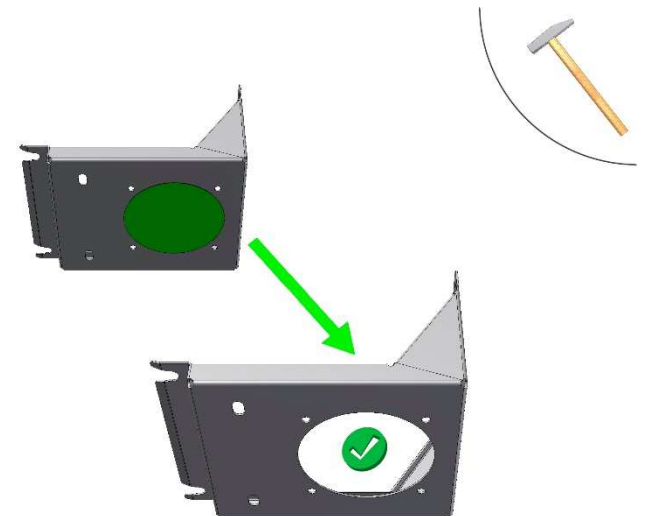
A.8



B.1

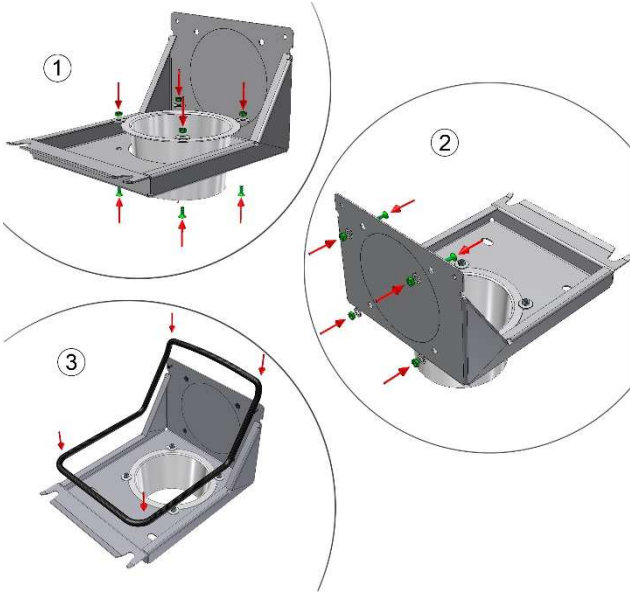


B.2

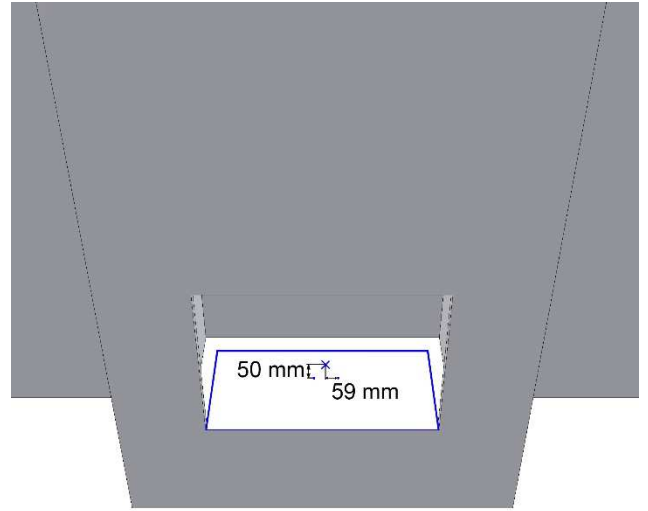


# III

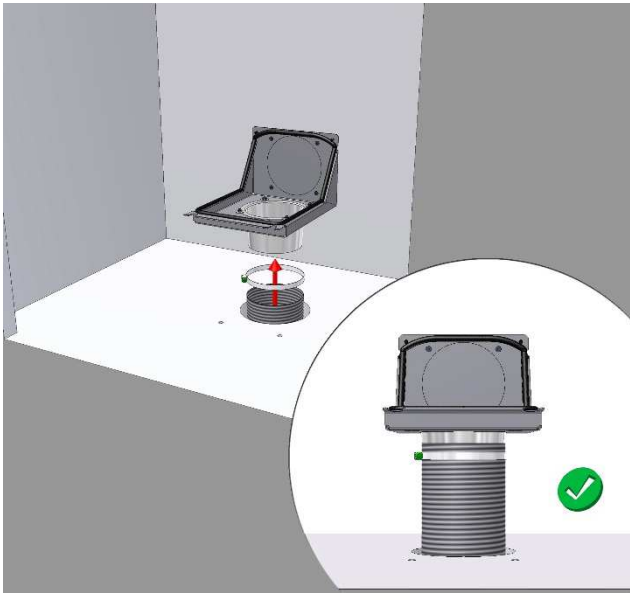
B.3



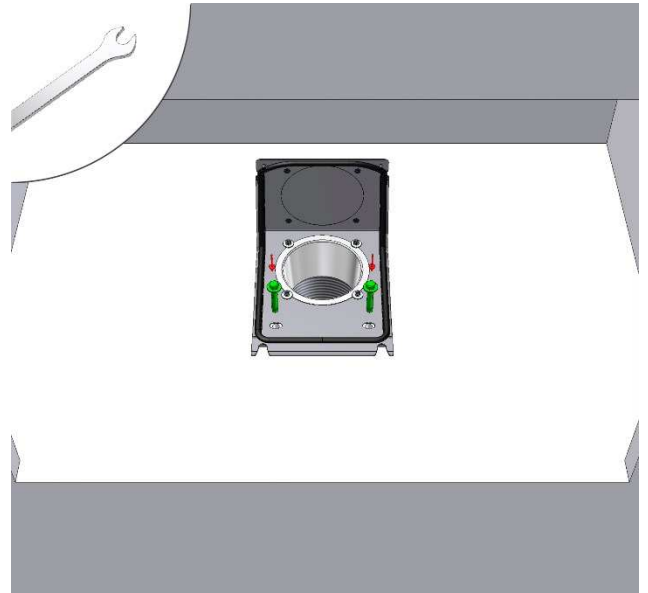
B.4



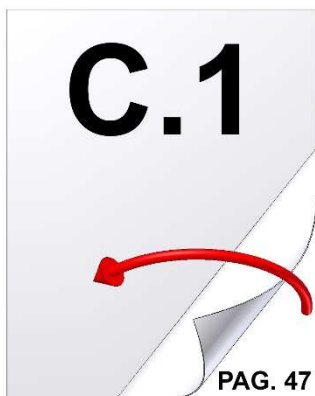
B.5



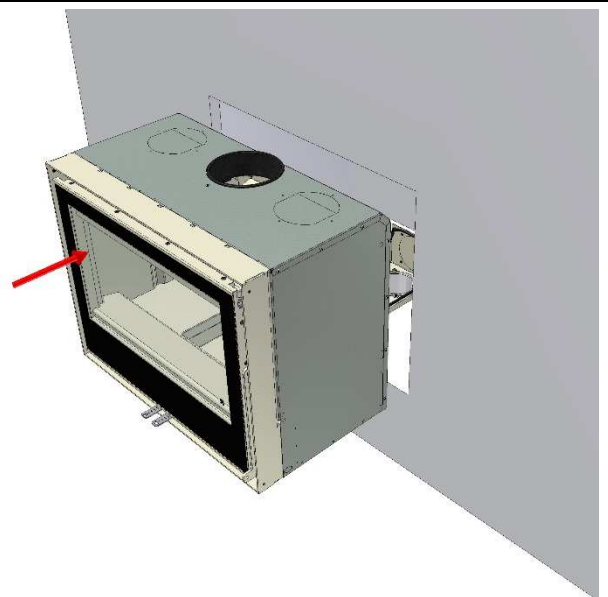
B.6



B.7

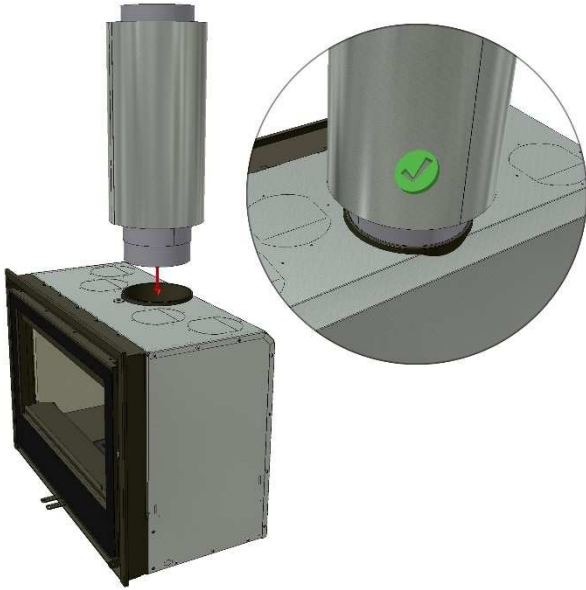


C.1

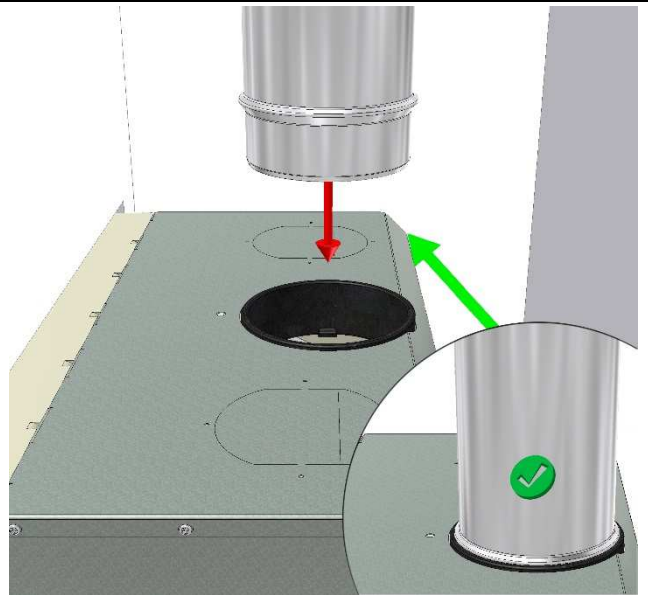


# III

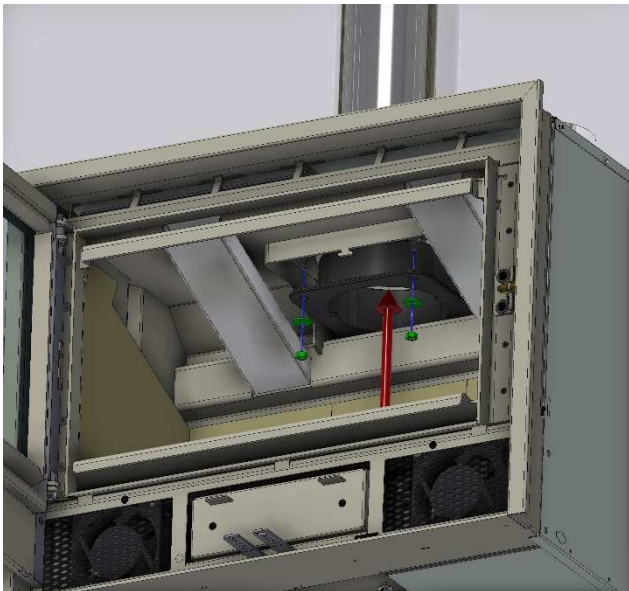
C.2 (+ Plus 150 | + Plus 180)



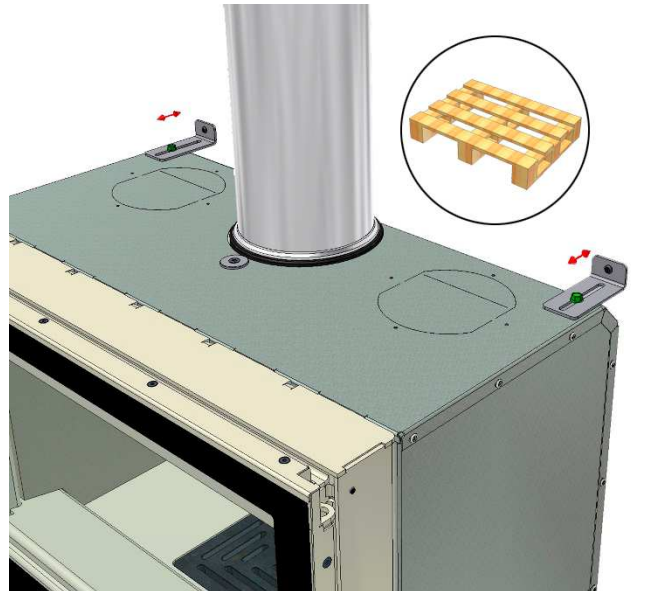
C.2



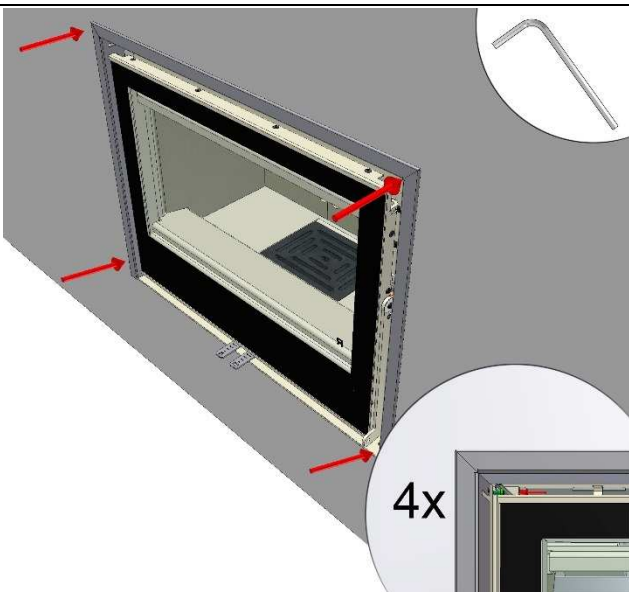
C.2



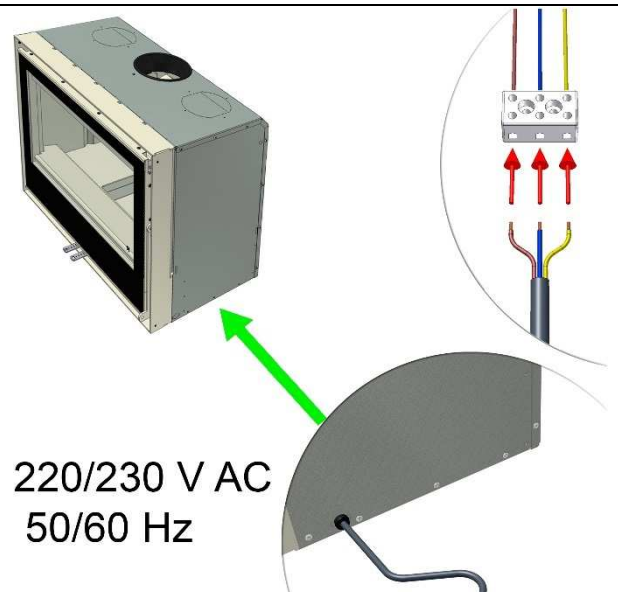
C.3



C.4



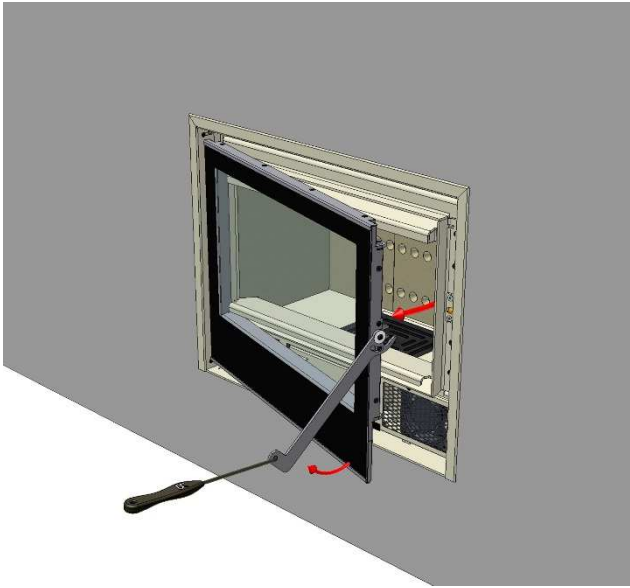
C.5



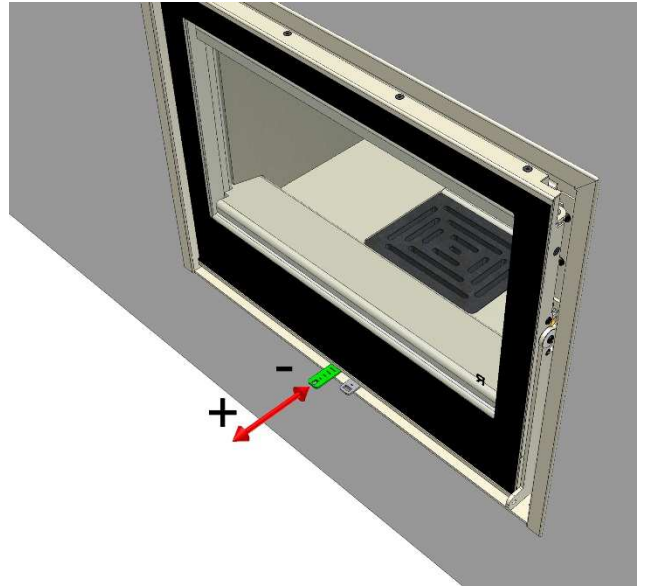


# IV

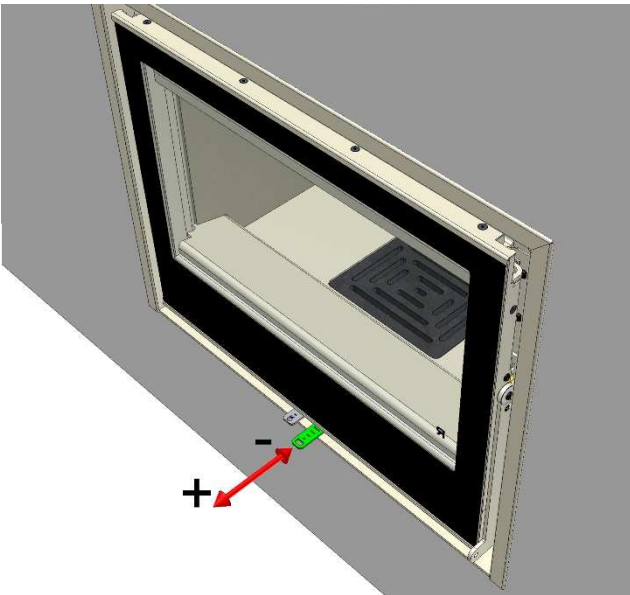
D.1



D.2



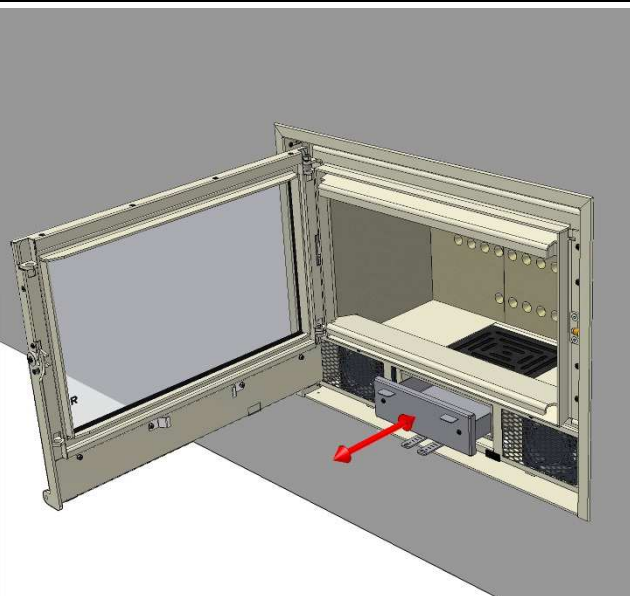
D.3



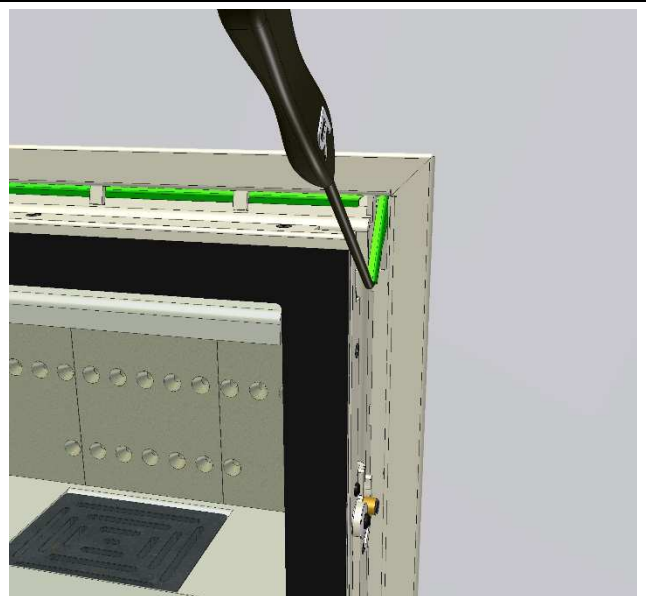
D.4



D.5

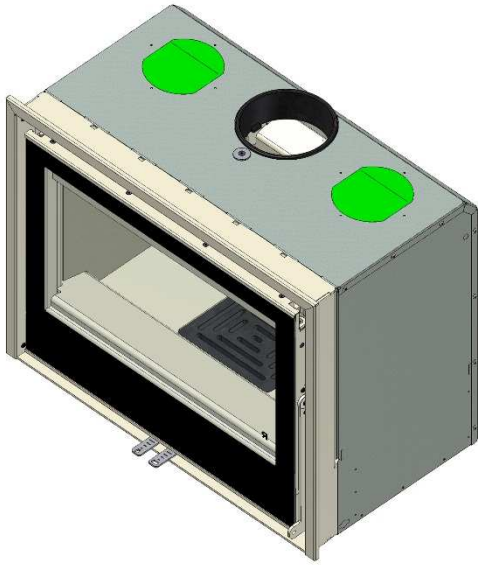


D.6

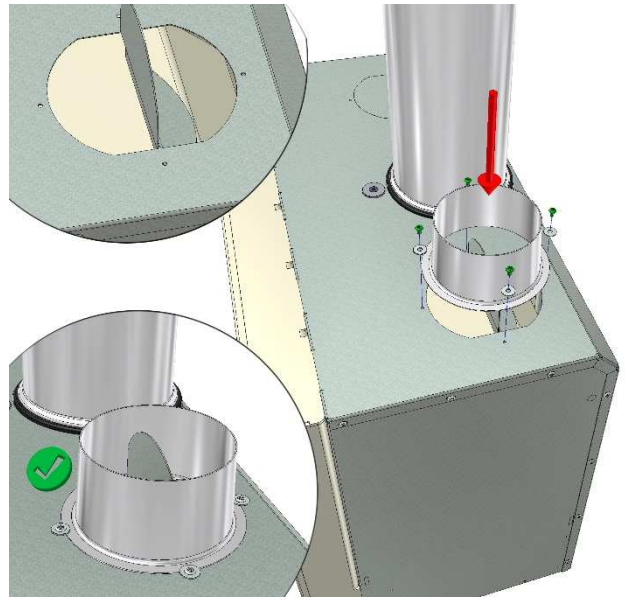


# IV

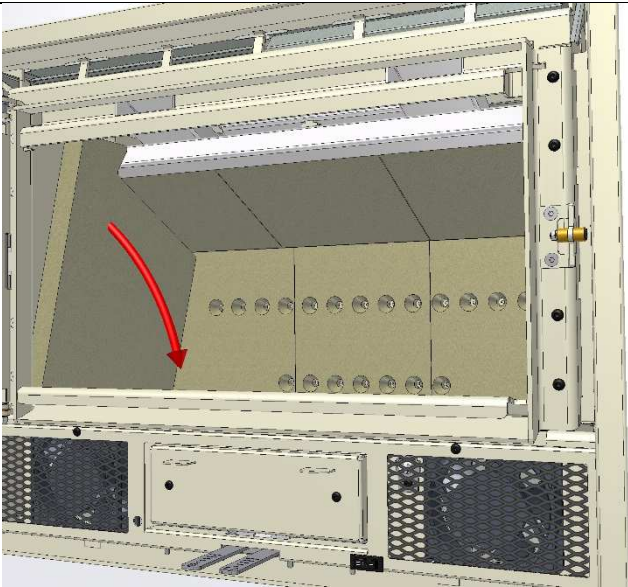
D.7



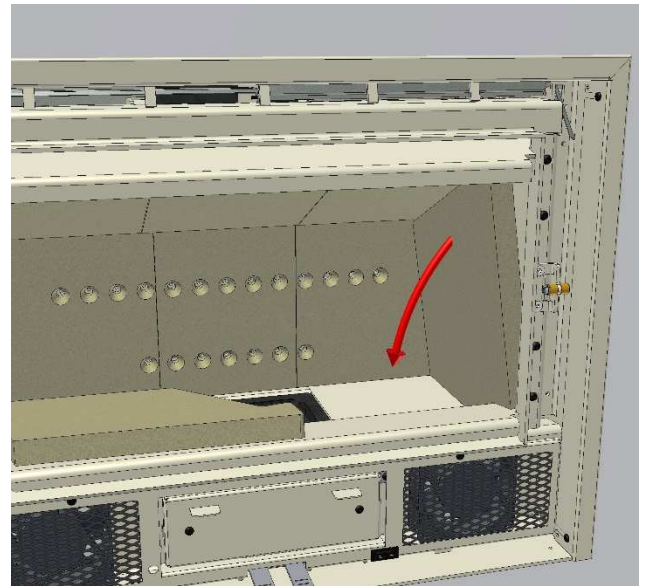
D.8



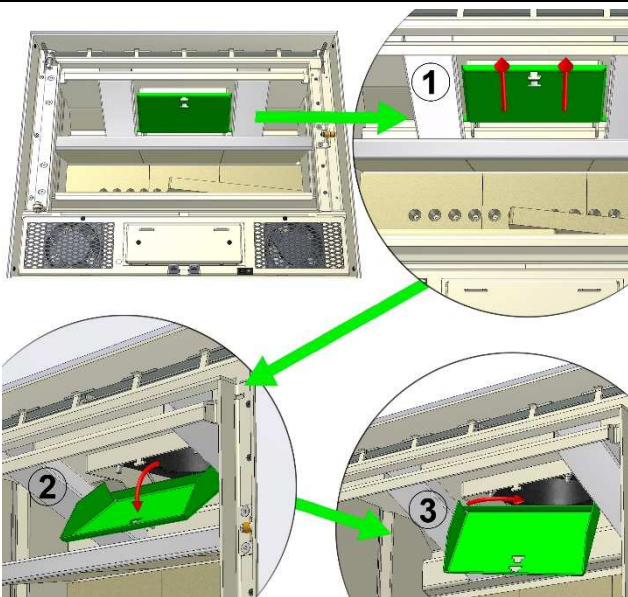
D.9



D.10



D.11



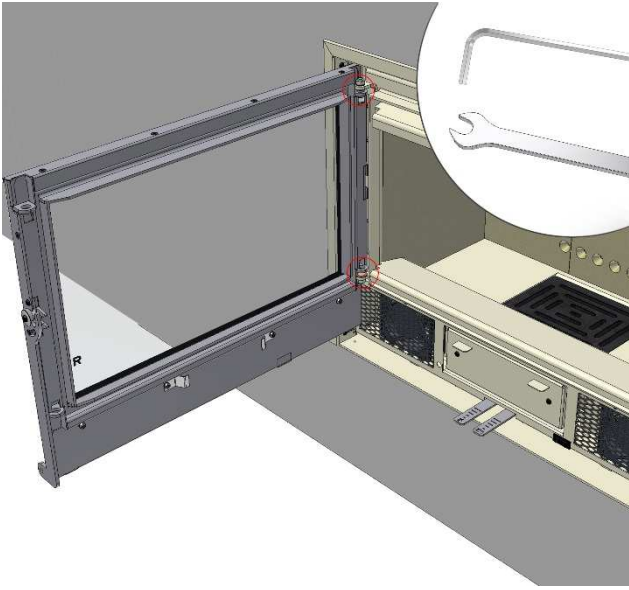
D.12



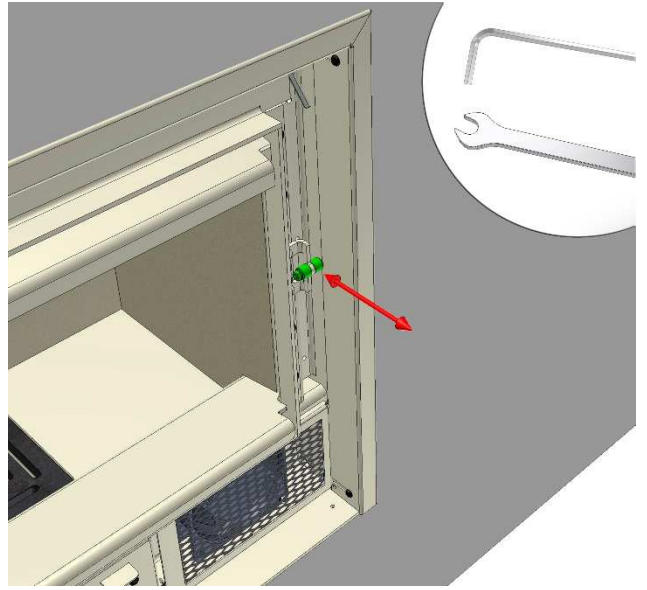


# IV

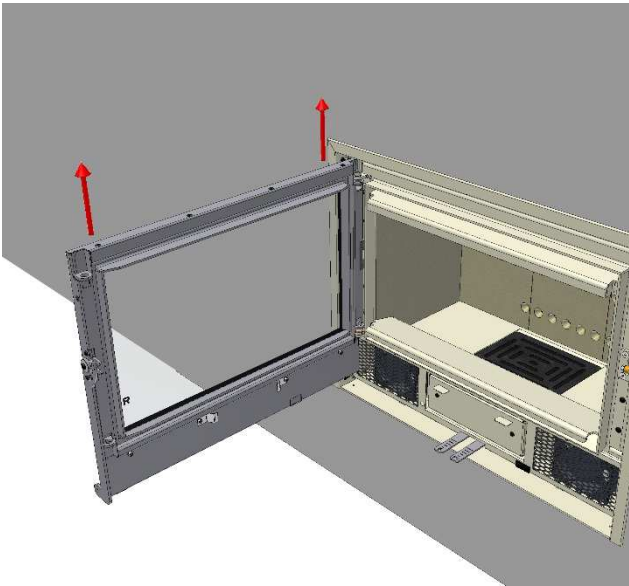
D.13



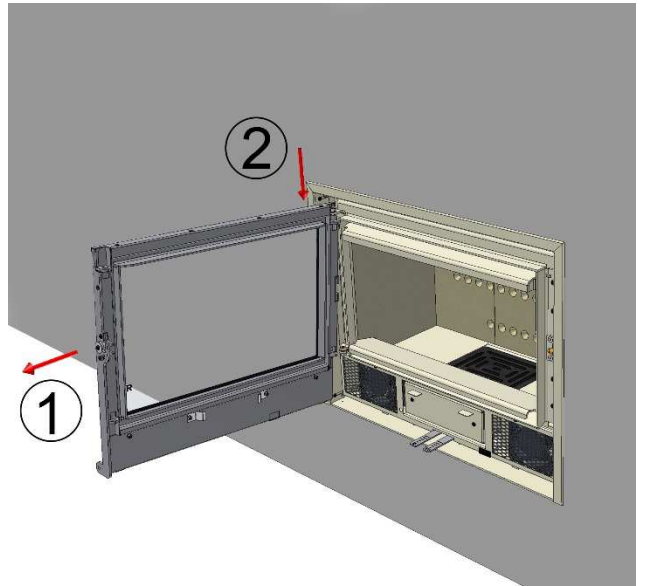
D.14



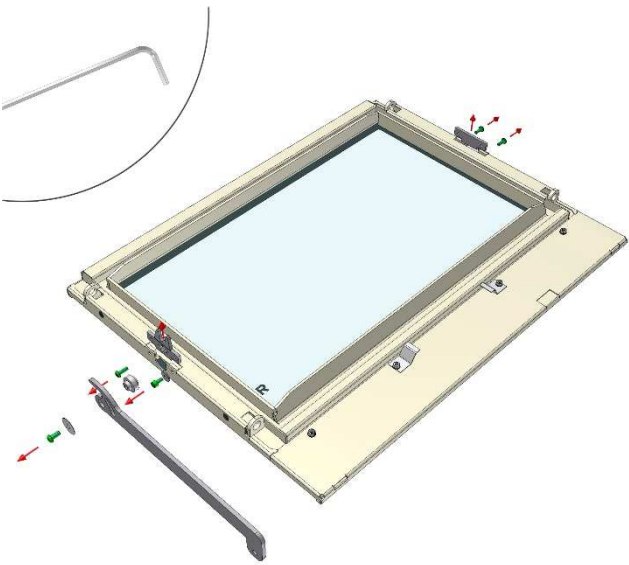
D.15



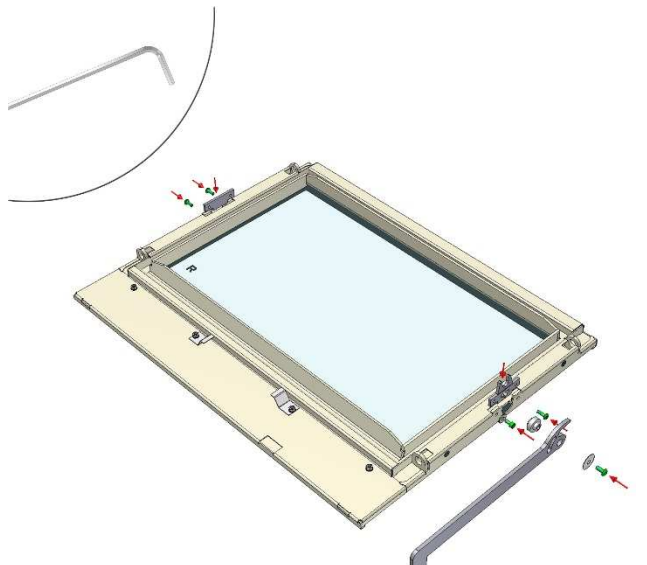
D.16



D.17

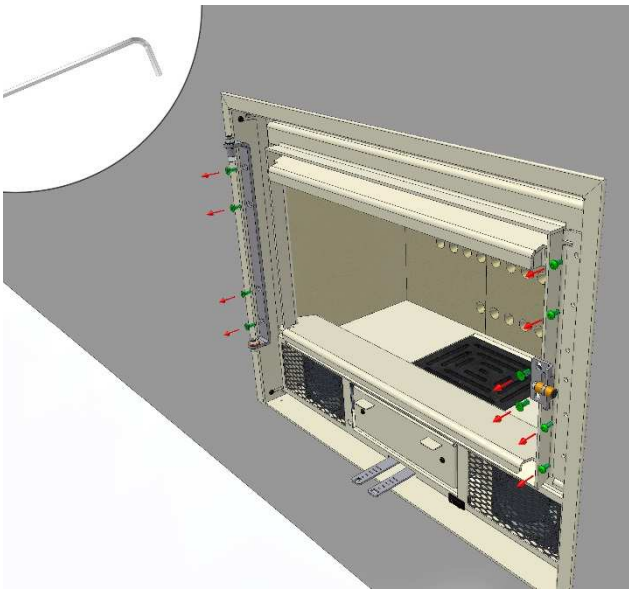


D.18

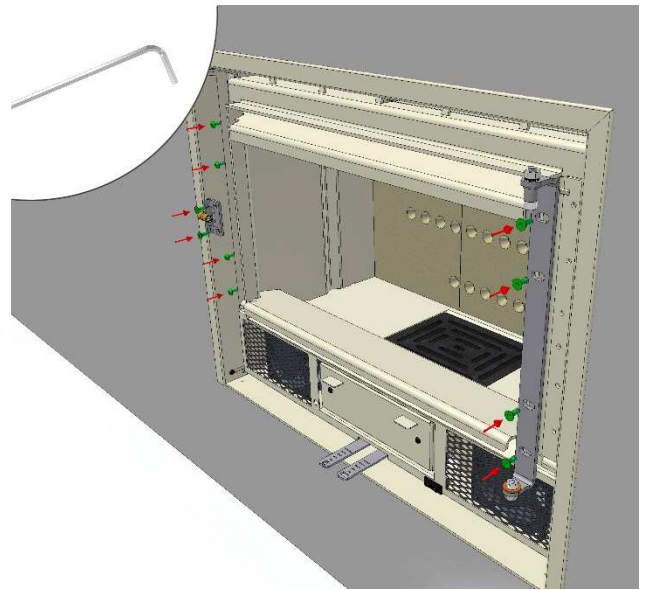


# IV

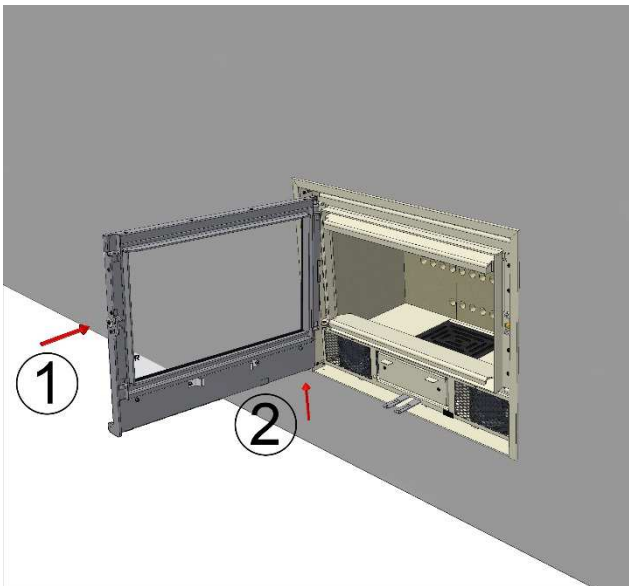
D.19



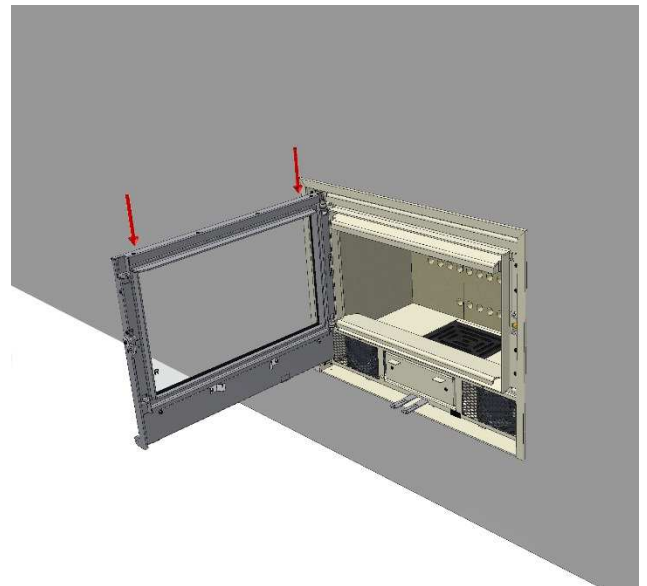
D.20



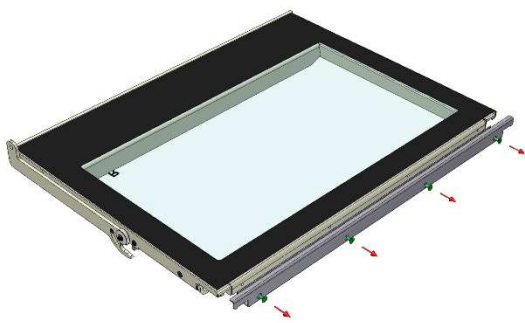
D.21



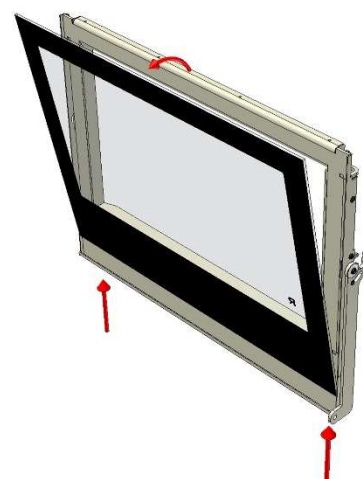
D.22



D.23



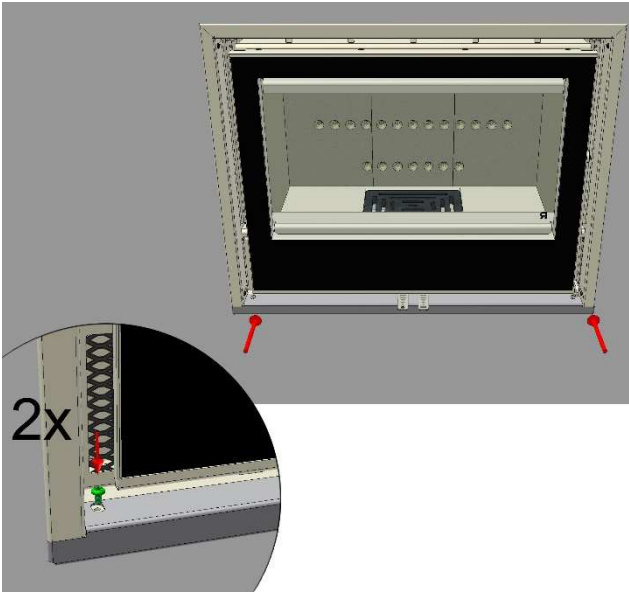
D.24



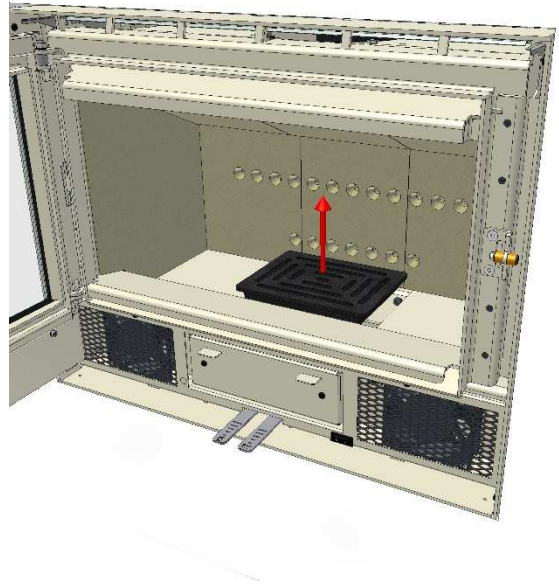


# IV

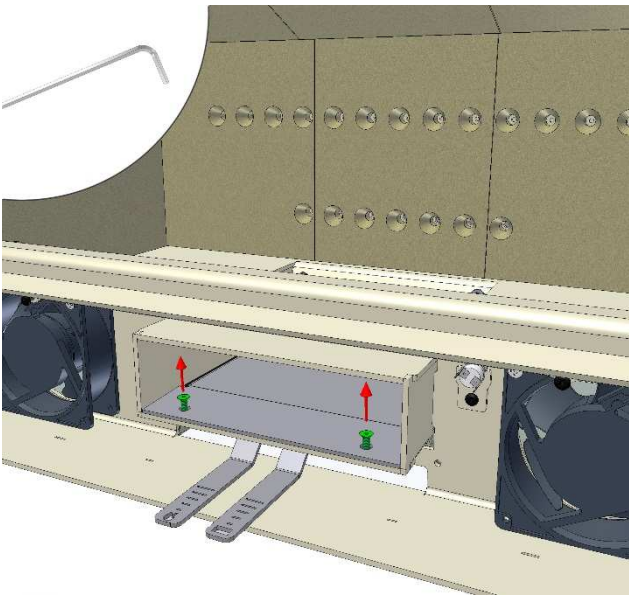
D.25



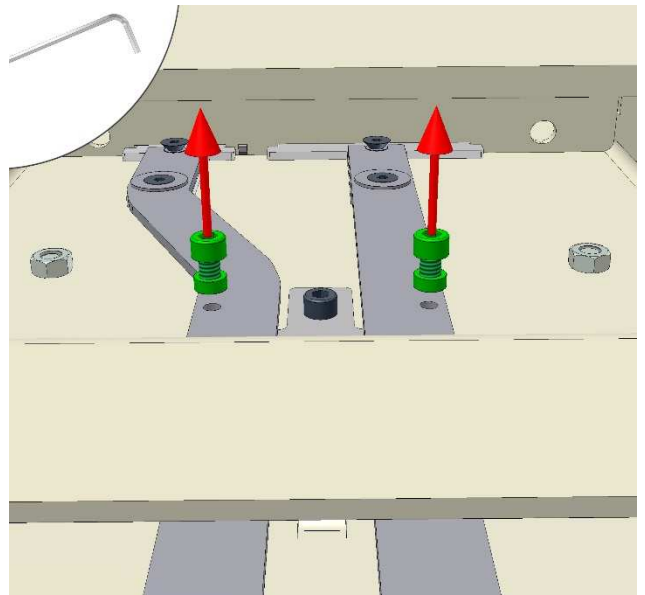
D.26



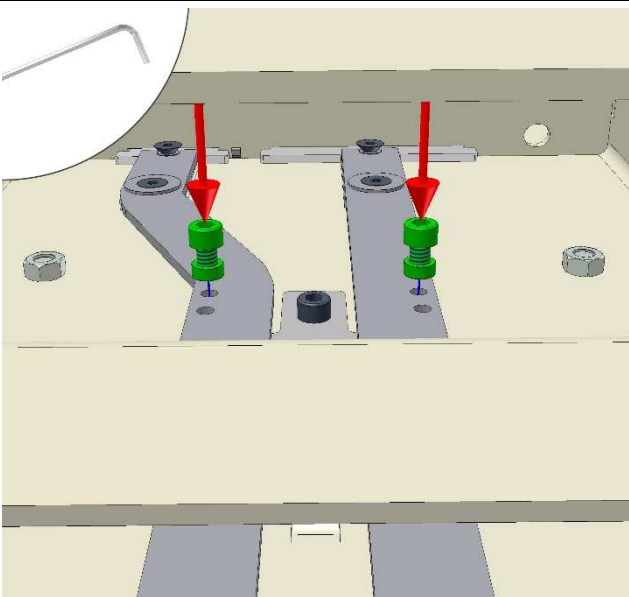
D.27



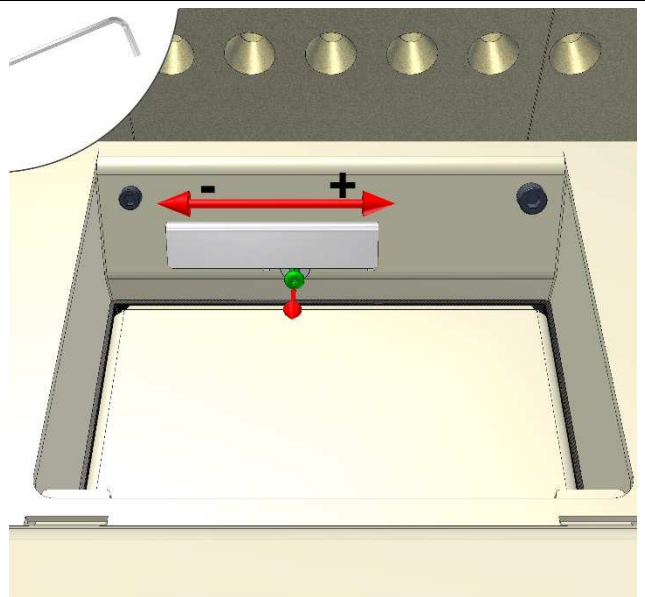
D.28



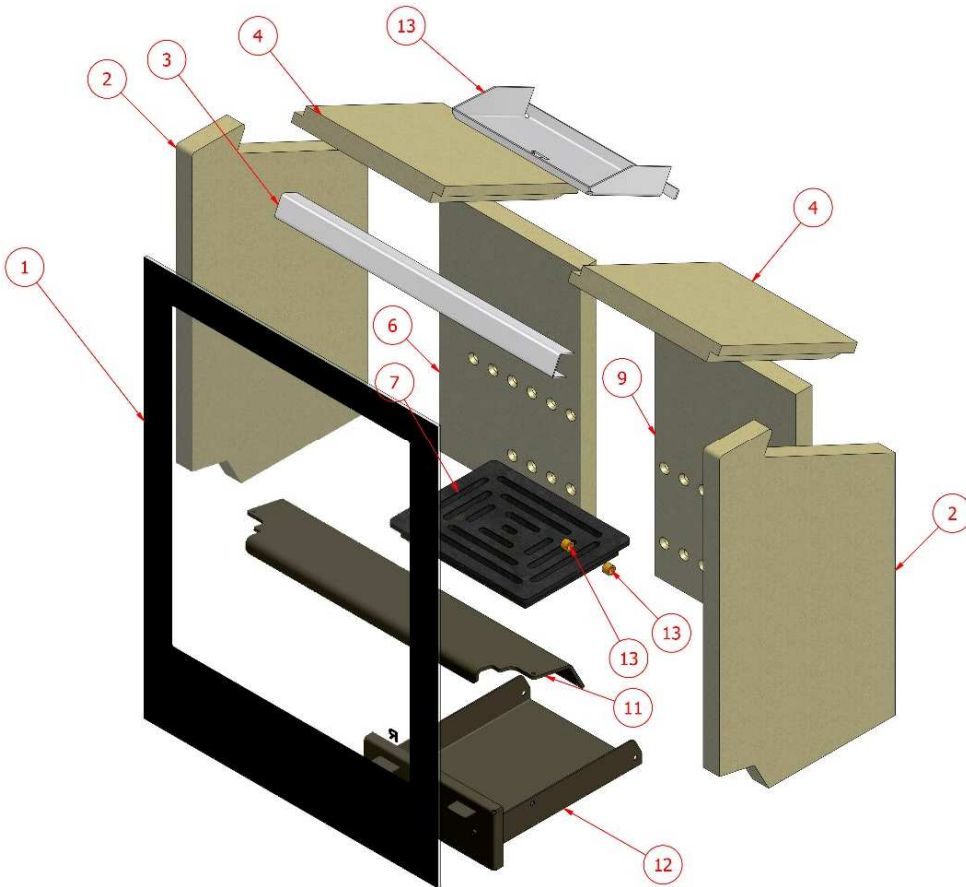
D.29



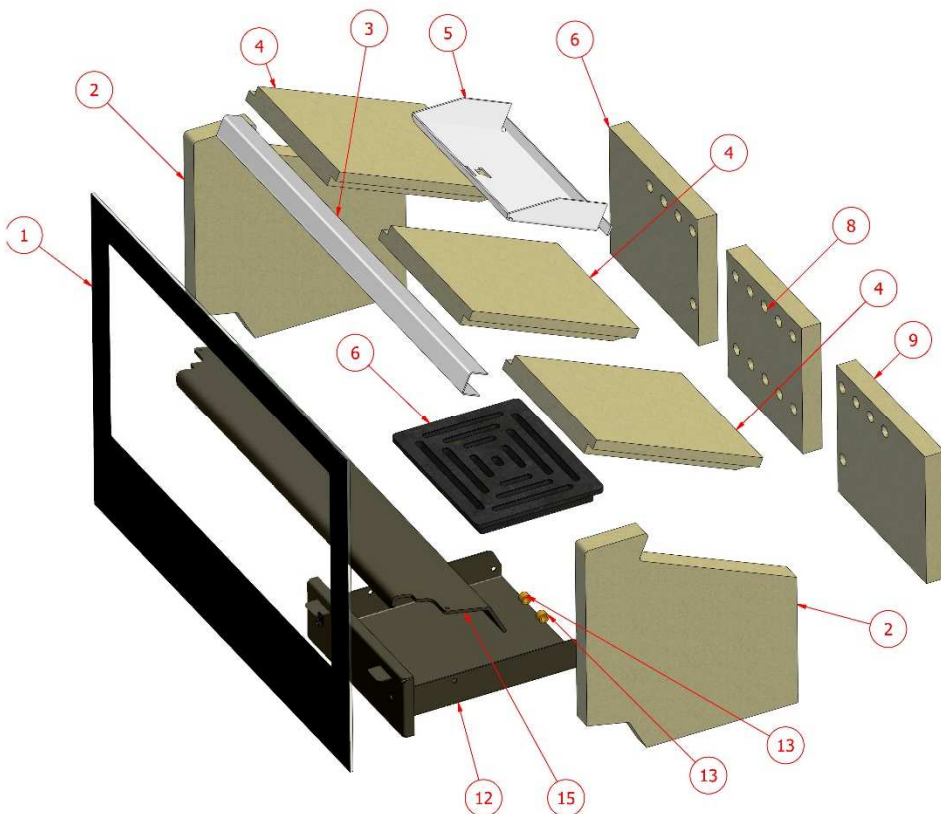
D.30



# V

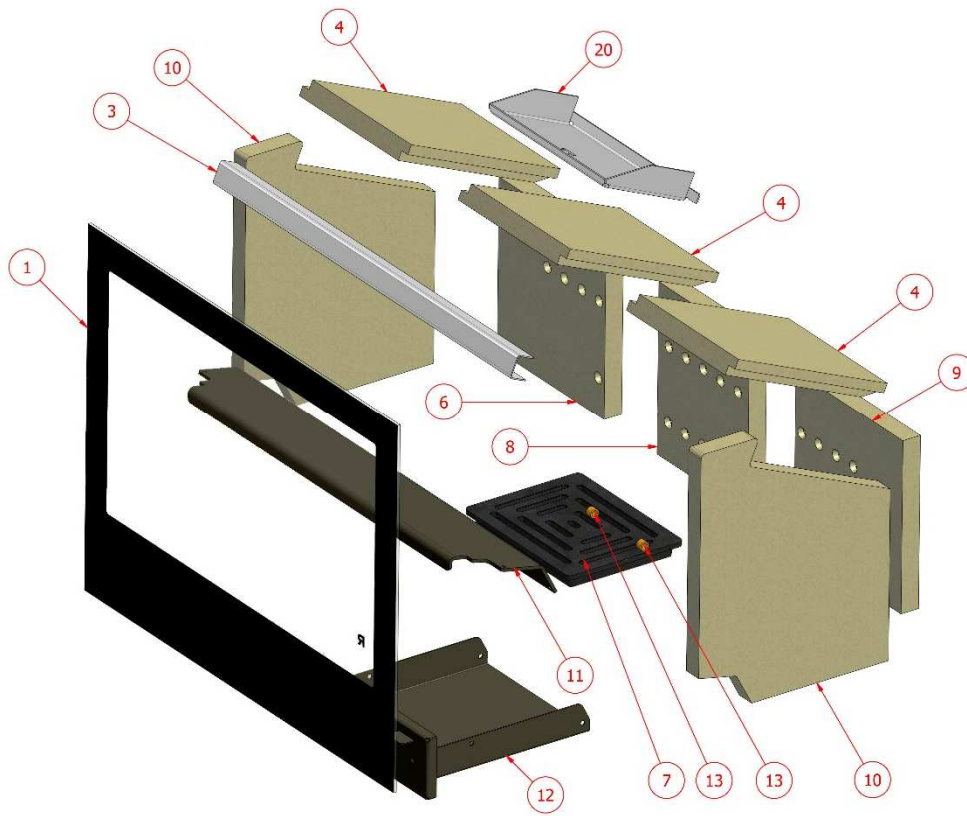


ARC 50V ARC 50V + Plus 150	
1	M5746-200
2	VRM5971-4
3	M5971-35
4	2*VRM5971-1
5	M5971-14
6	VRM5971-3
7	FUM5900-400
8	N/A
9	VRM5971-2
10	VRM5971-4
11	M5971-18
12	M5971-28/29
13	2*TORN123

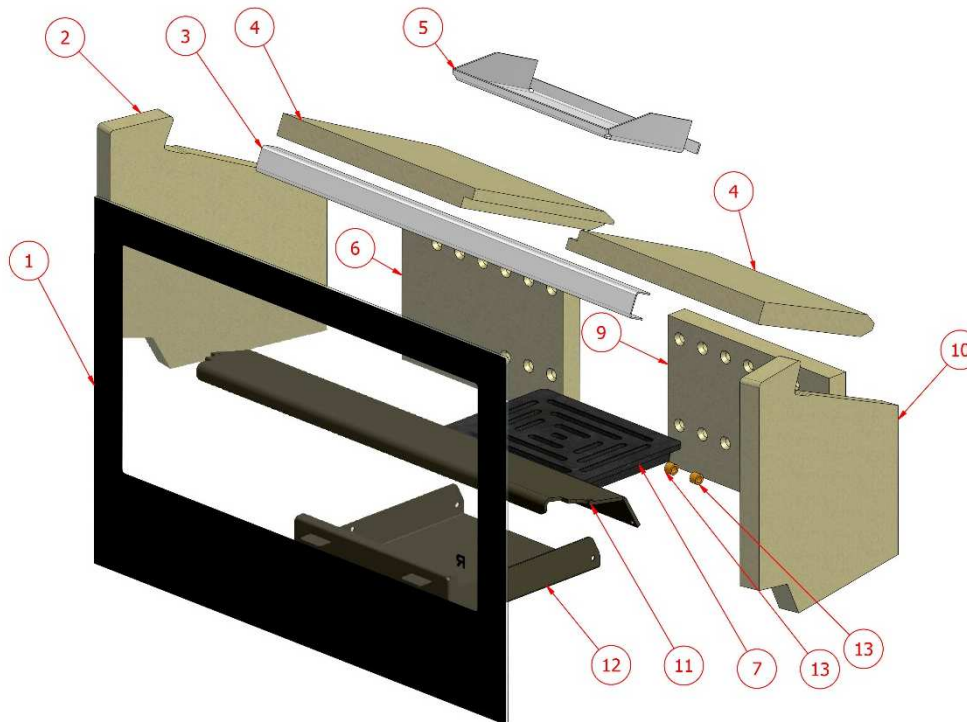


ARC 70 ARC 70 + Plus 150	
1	M5706-200
2	VRM5911-5
3	M5911-35
4	3*VRM5911-1
5	M5911-14
6	VRM5911-3
7	FUM5900-400
8	VRM5911-2
9	VRM5911-4
10	VRM5911-5
11	M5911-18
12	M5911-28/29
13	2*TORN123

# V



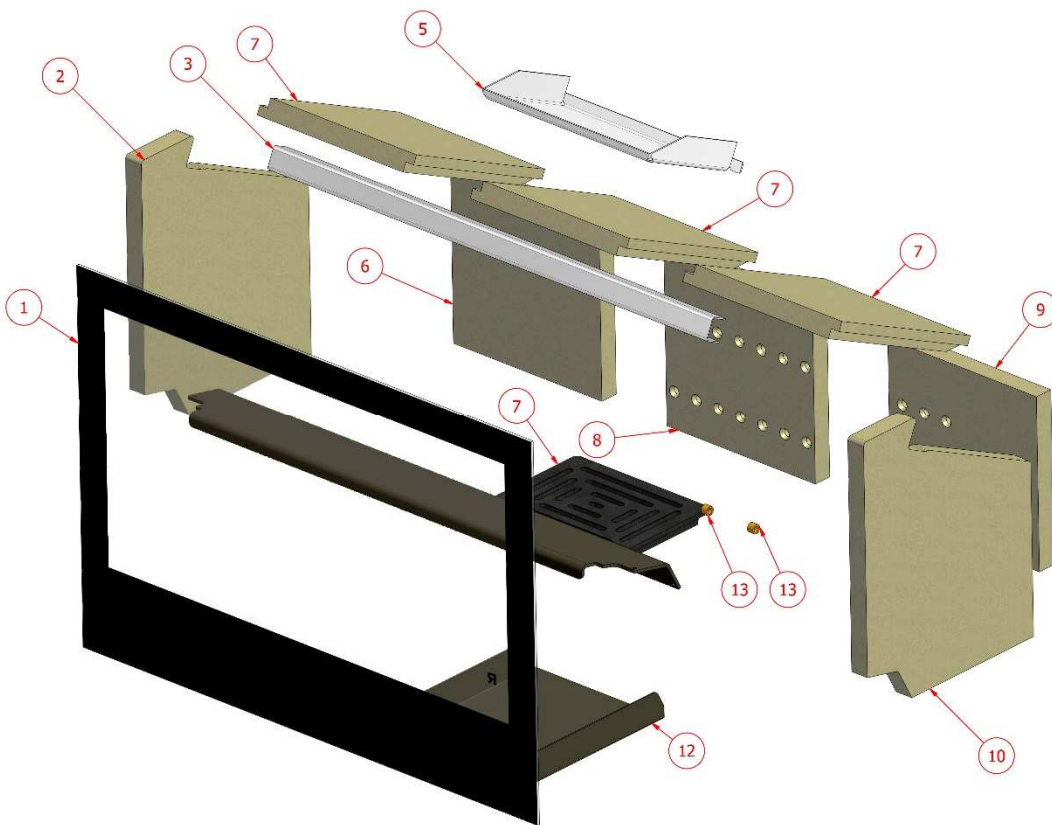
ARc 70A ARc 70A + Plus 150	
1	M5708-200
2	VRM5916-5
3	M5916-35
4	3*VRM5916-1
5	M5916-14
6	VRM5916-3
7	FUM5900-400
8	VRM5916-2
9	VRM5916-4
10	VRM5916-5
11	M5916-18
12	M5916-28/29
13	2*TORN123



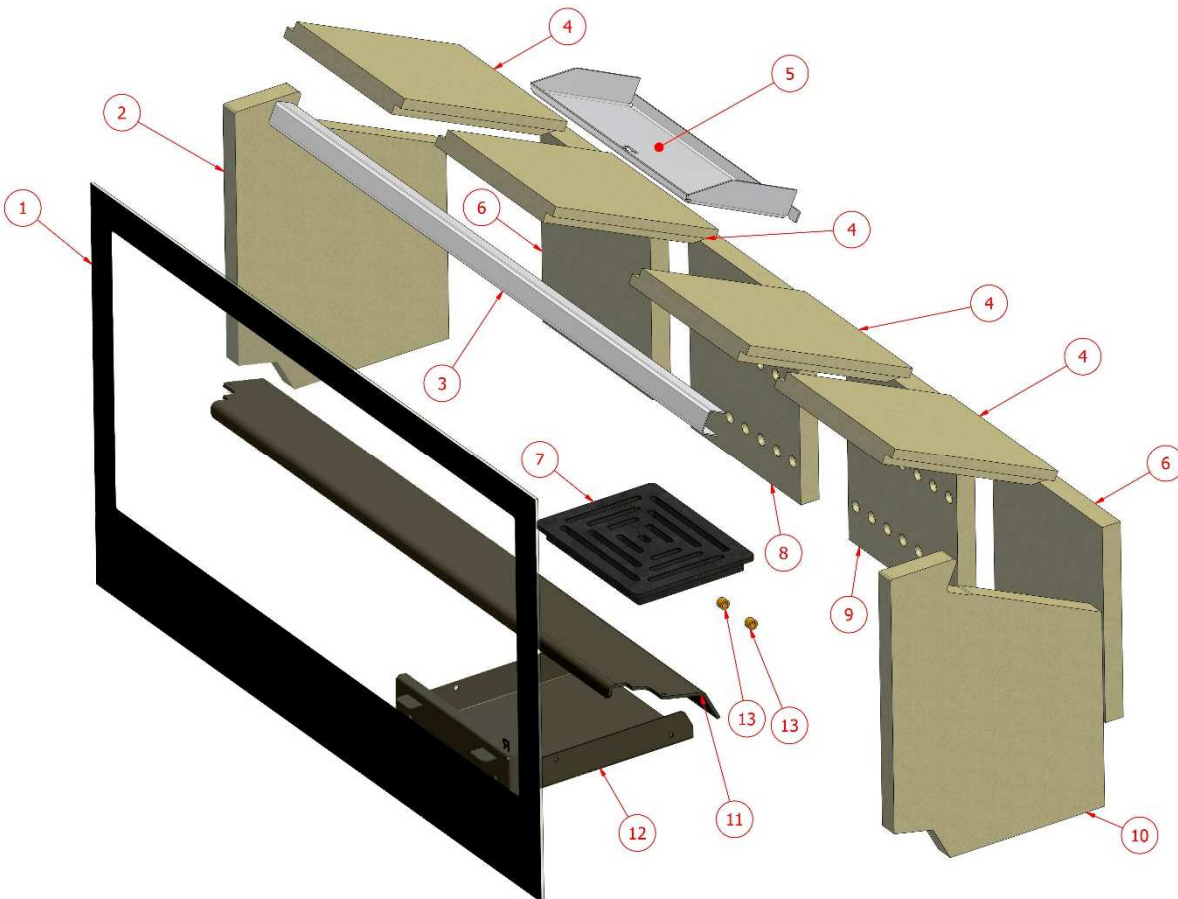
ARc 70C ARc 70C + Plus 150	
1	M5706-200
2	VRM5921-5
3	M5921-35
4	2*VRM5921-2
5	M5921-14
6	1*VRM5921-3
7	FUM5900-400
8	N/A
9	VRM5921-2
10	VRM5921-4
11	M5921-18
12	M5921-28/29
13	2*TORN123



# V



ARc 80 ARc 80 + Plus 180	
1	M5711-200
2	VRM5931-5
3	M5931-35
4	3* VRM5931-1
5	M5931-14
6	VRM5931-3
7	FUM5900-400
8	VRM5931-2
9	VRM5931-4
10	VRM5931-5
11	M5931-18
12	M5931-28/29
13	2*TORN123



ARc 100	
1	M5716-200
2	VRM5941-5
3	M5941-35
4	4*VRM5941-1
5	M5941-14
6	2*VRM5941-4
7	FUM5900-400
8	VRM5941-3
9	VRM5941-2
10	VRM5941-5
11	M5941-18
12	M5941-28/29
13	2*TORN123



# V

ARc 50V | ARc 50V + Plus 150 | ARc 70 | ARc 70 + Plus 150  
ARc 70A | ARc 70A + Plus 150 | ARc 70C | ARc 70C + Plus 150



COEVA-18

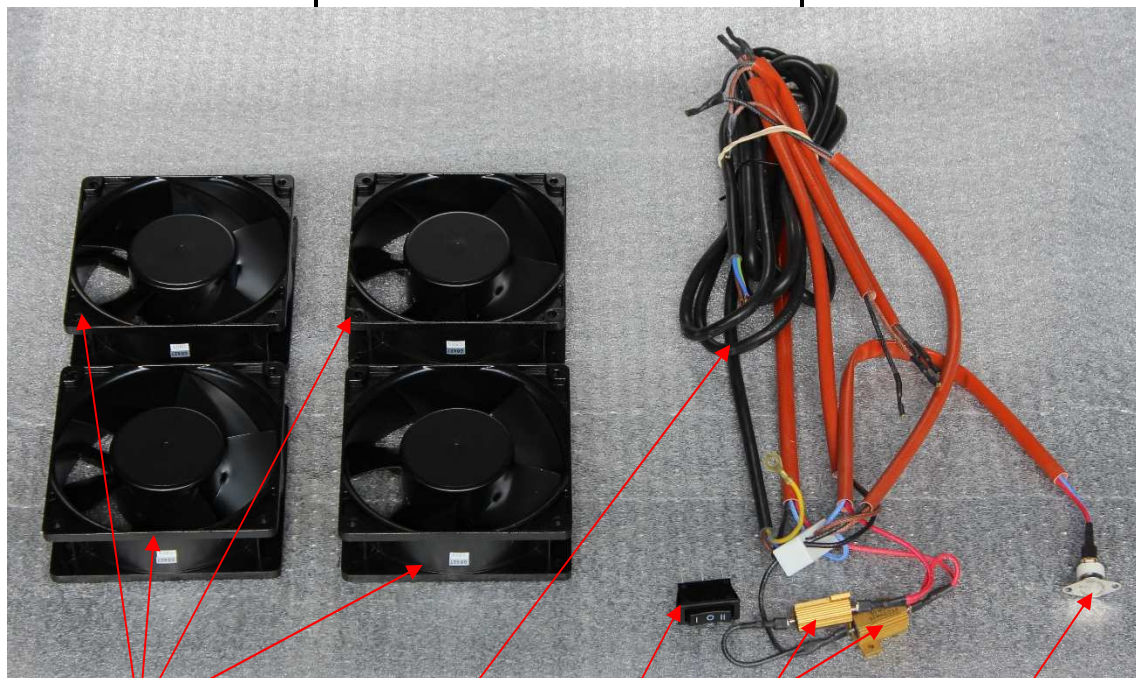
MOTOR20

MELEC20

MELEC44

MELEC05

ARc 80 | ARc 80 + Plus 180 | ARc 100



MOTOR20

COEVA-17

MELEC20

MELEC44

MELEC05