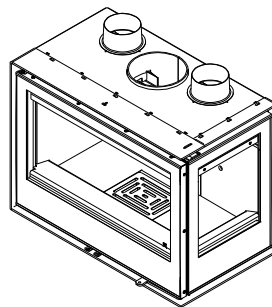
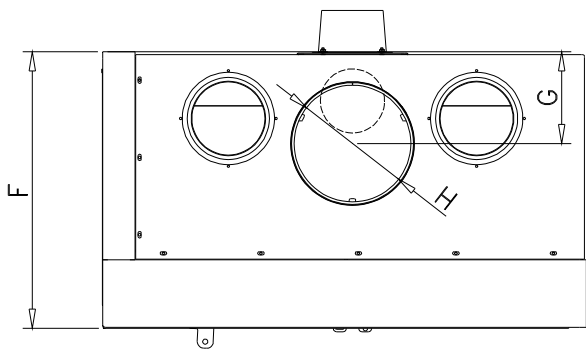
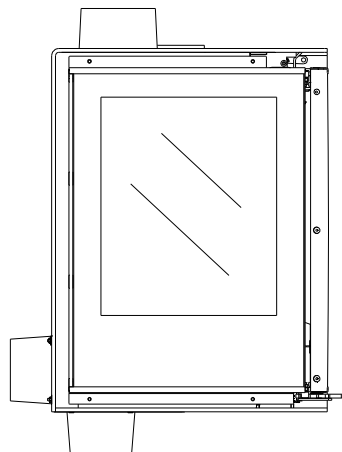
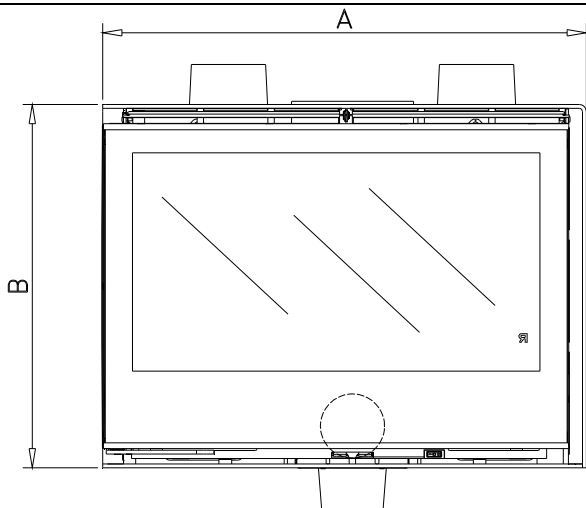


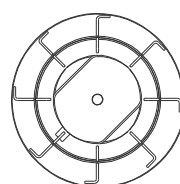
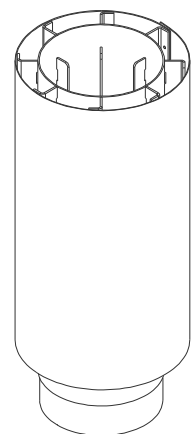
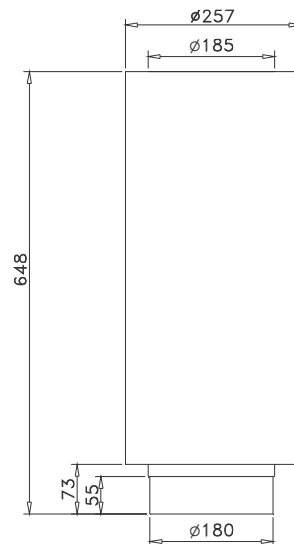
ANEXO/ANNEX/ANNEXE/ANESSO

I

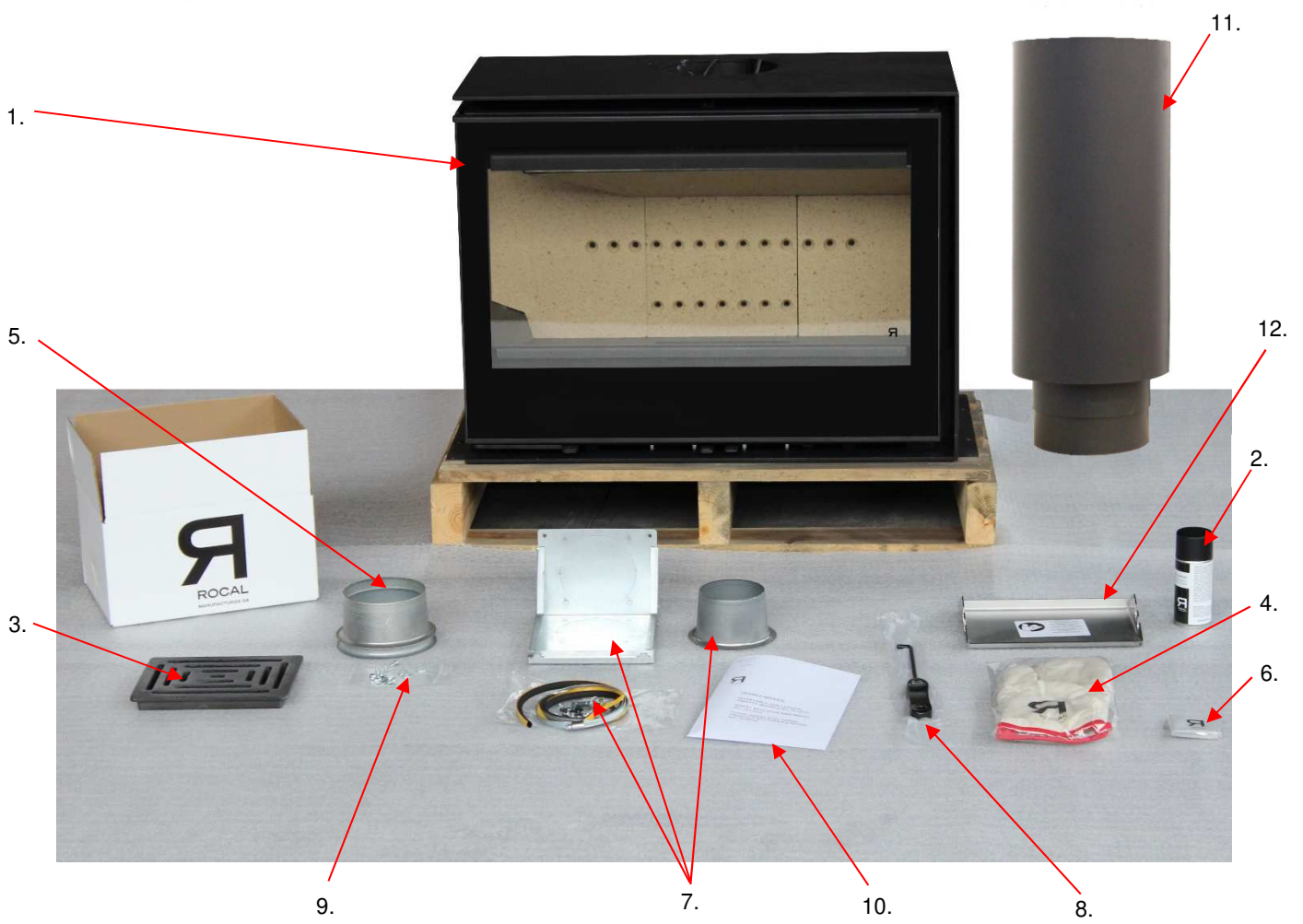


+Plus 180

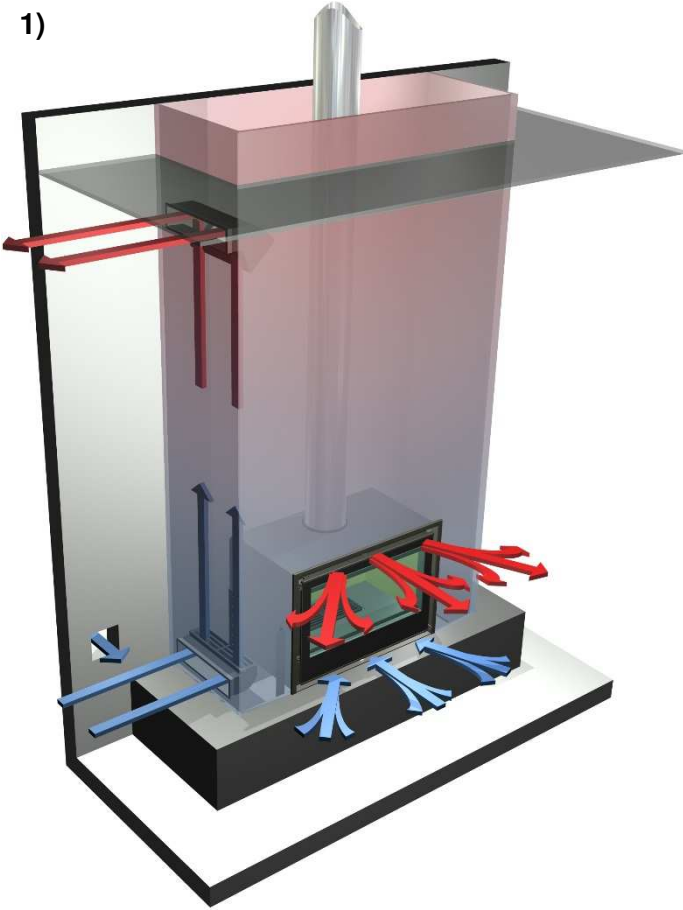
mm	ARc 76 LD ARc 76 LI	ARc 96 LD ARc 96 LI
A	755	955
B	567	592
F	430	430
G	143	143
H	180	180



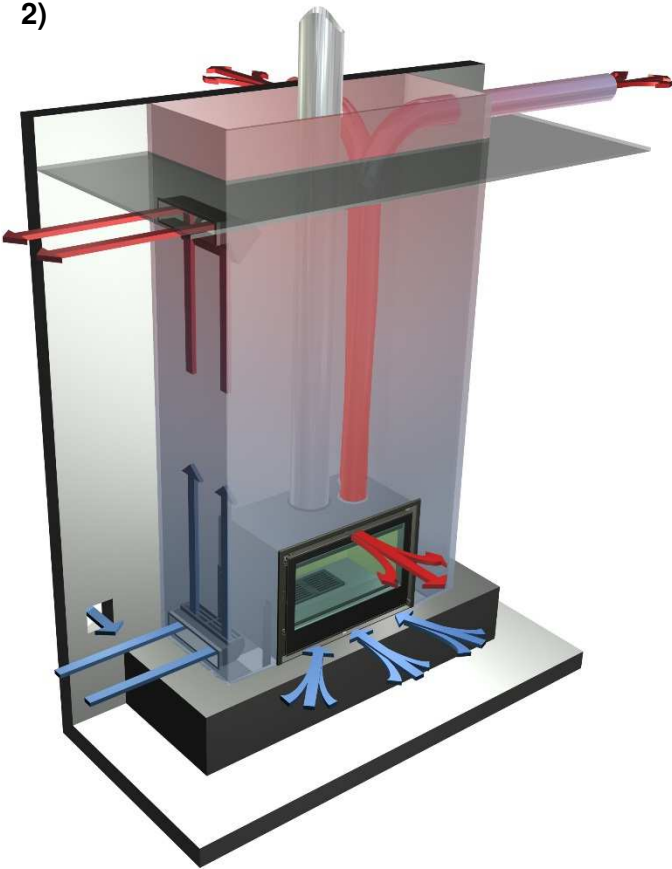
II



1)

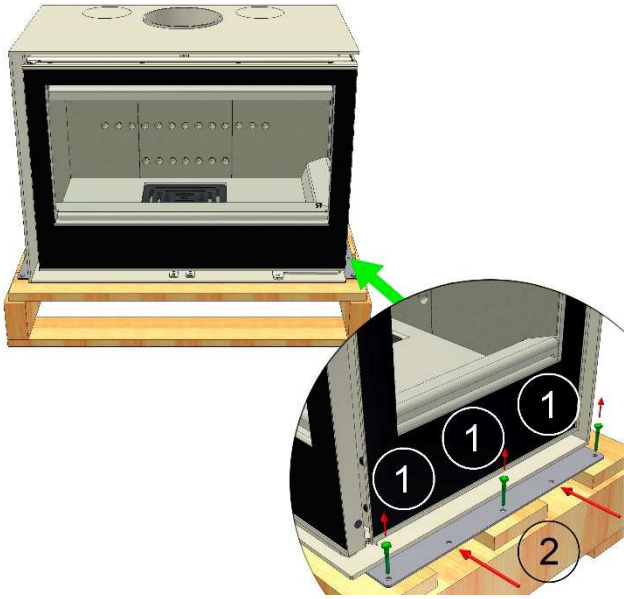


2)

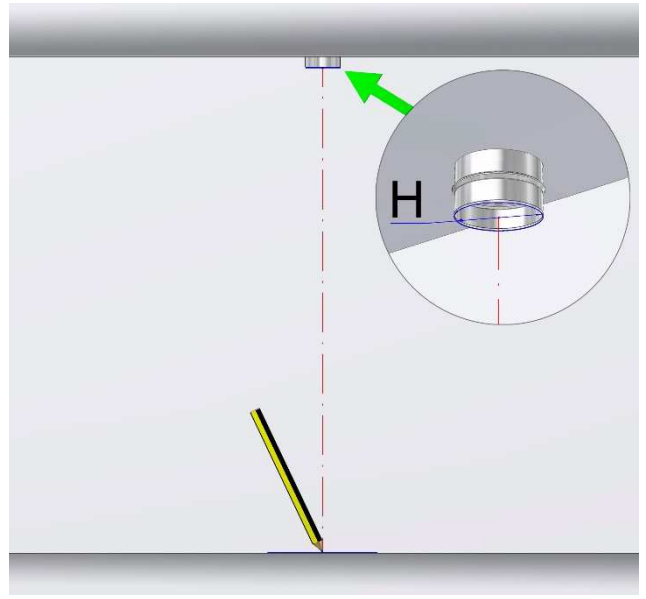


III

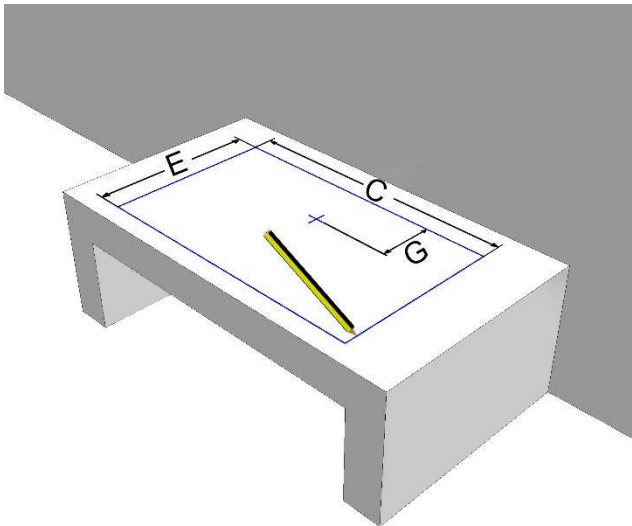
1



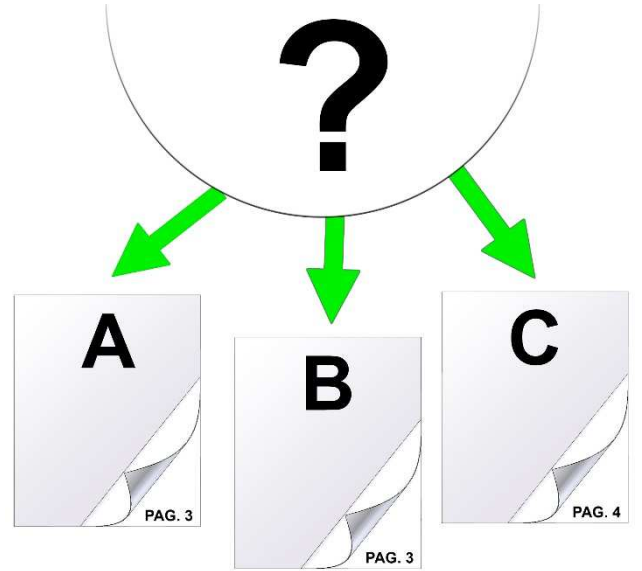
2



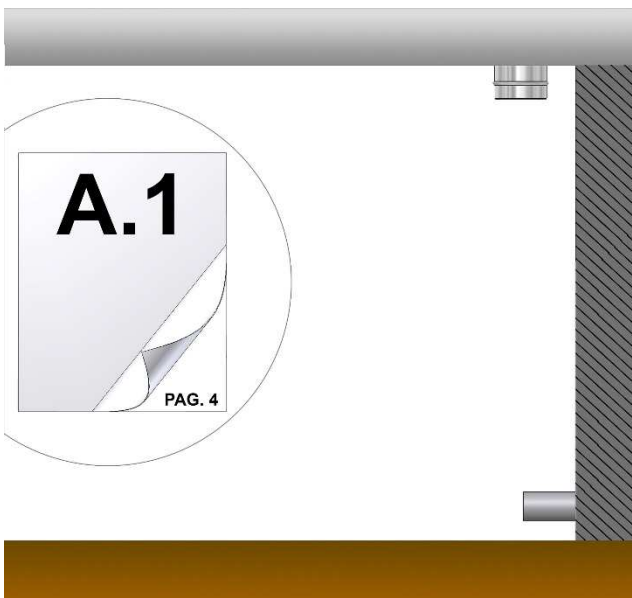
3



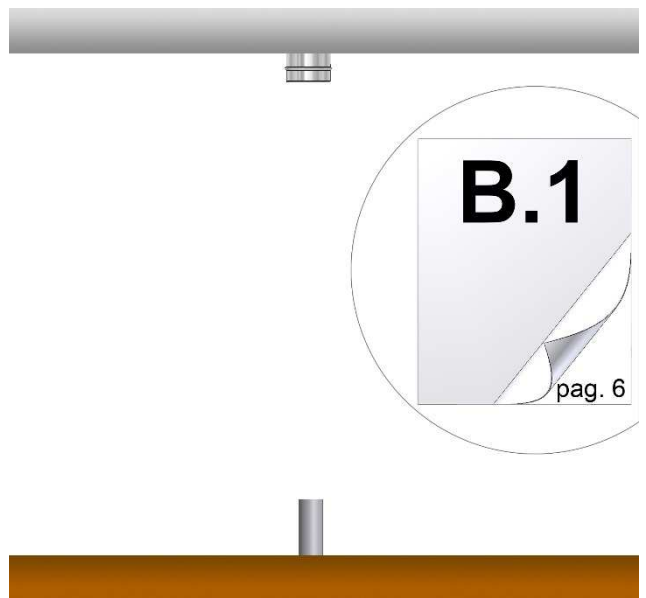
4



A

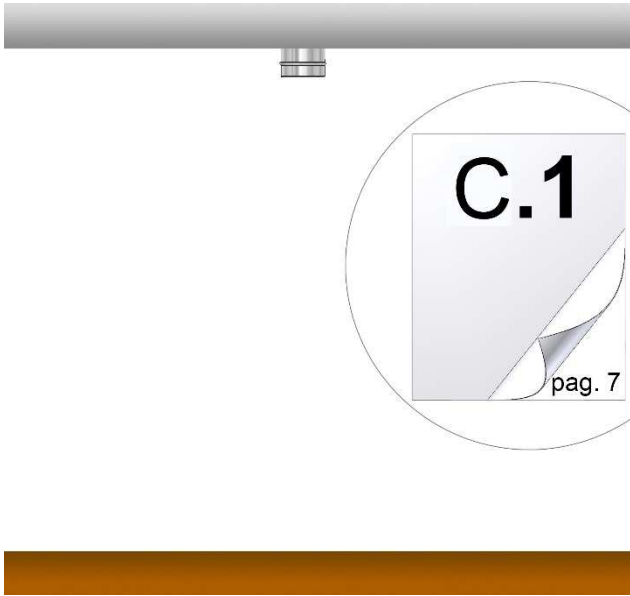


B

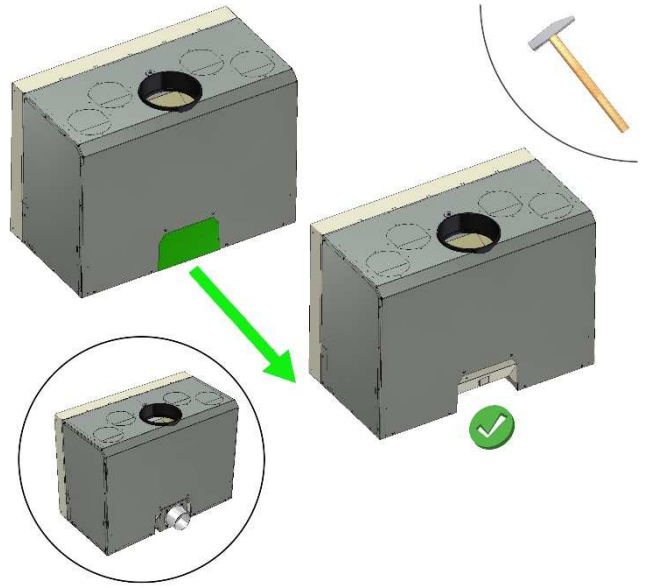


III

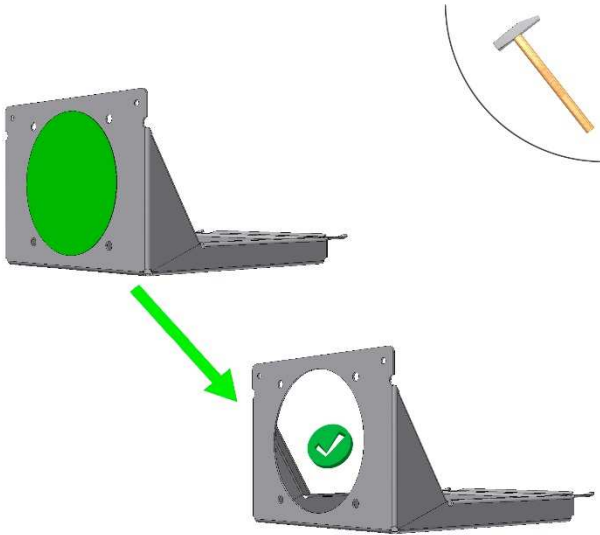
C



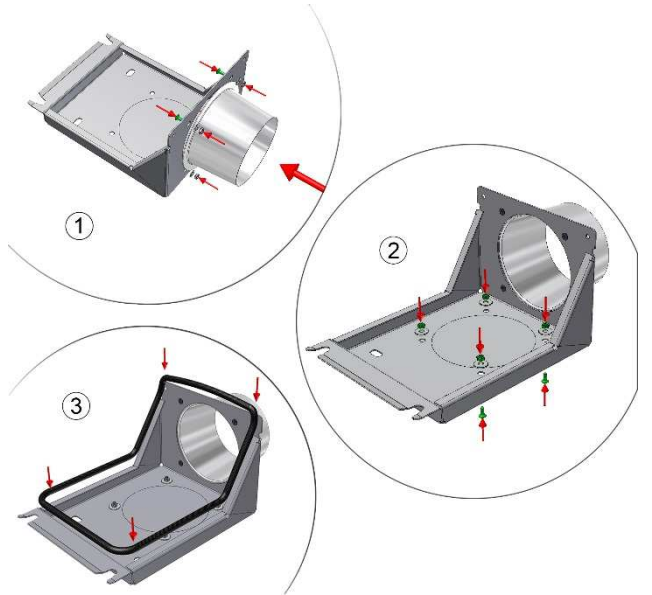
A.1



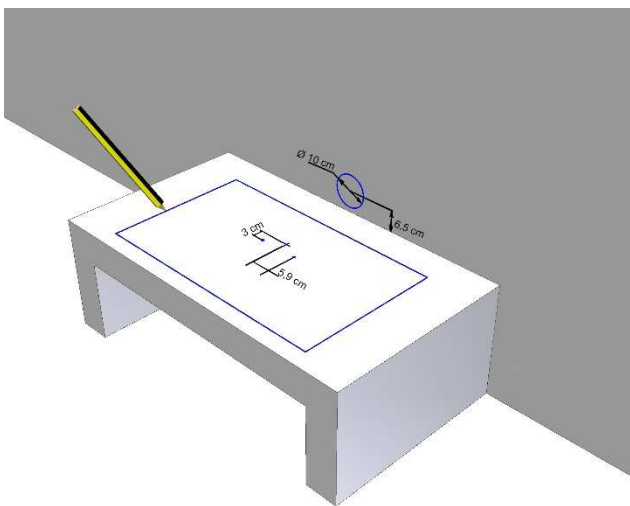
A.2



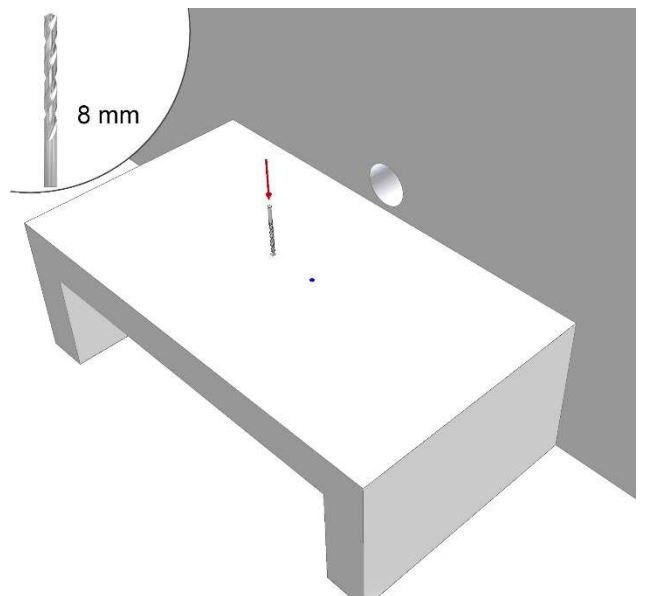
A.3



A.4

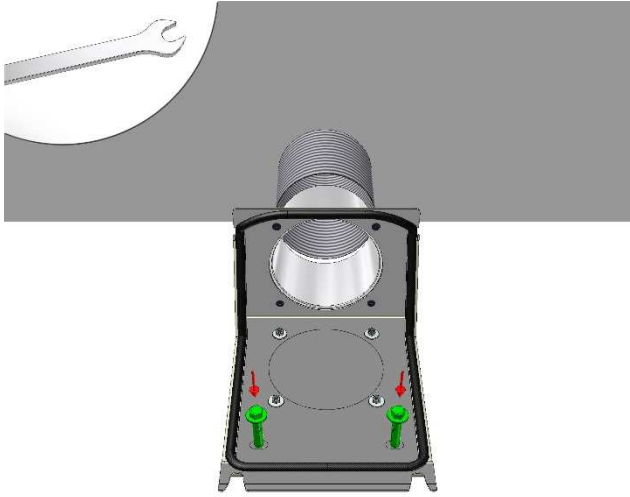


A.5

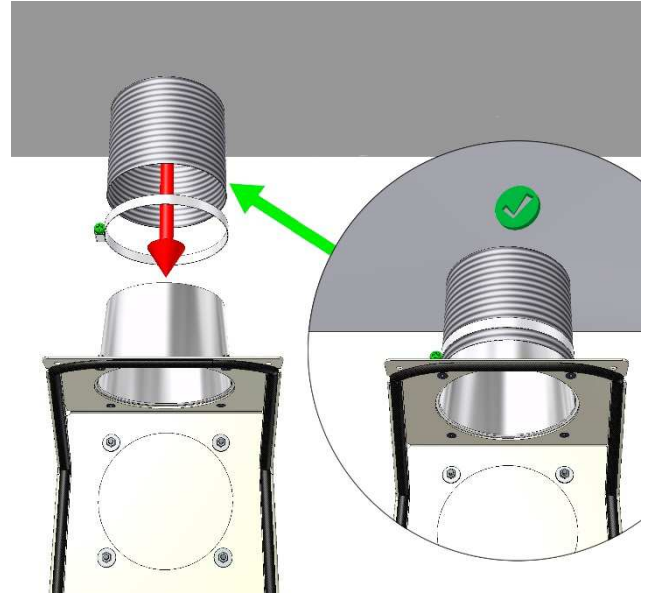


III

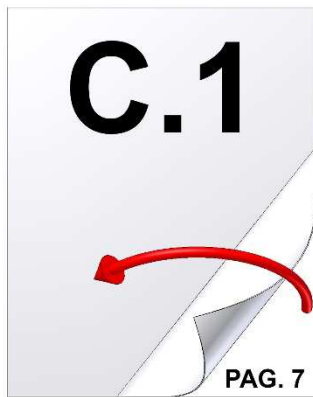
A.6



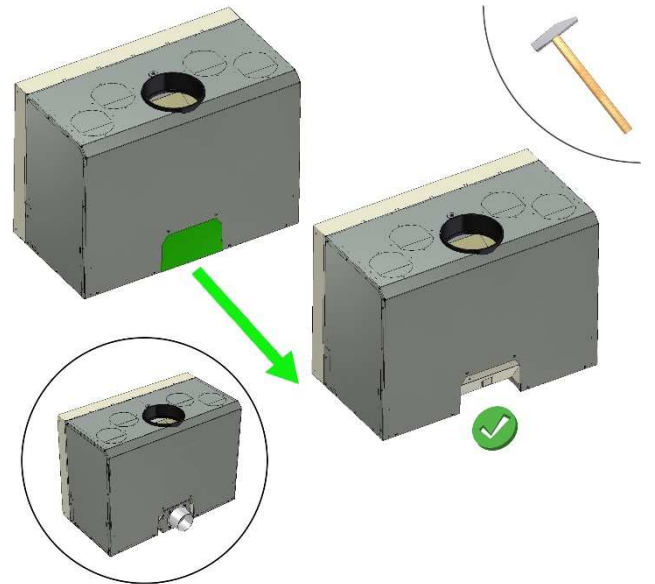
A.7



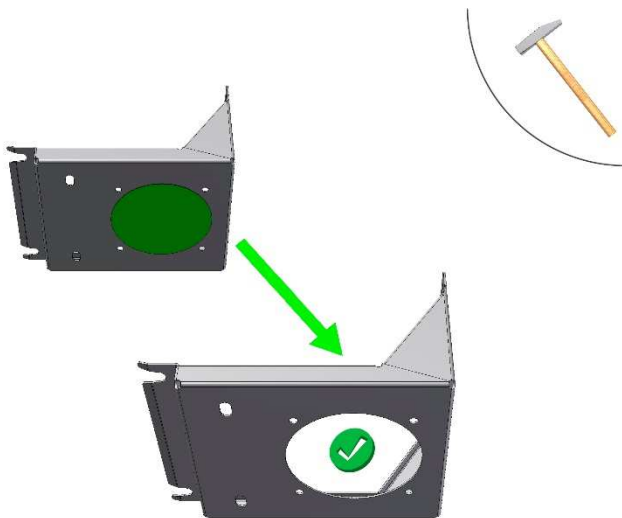
A.8



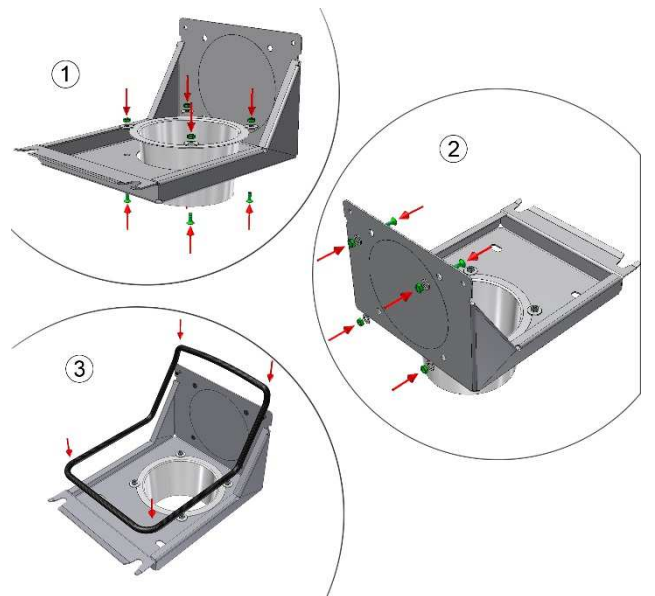
B.1



B.2

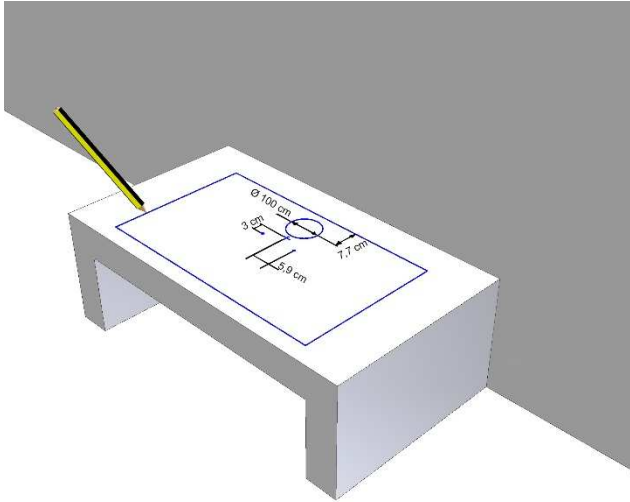


B.3

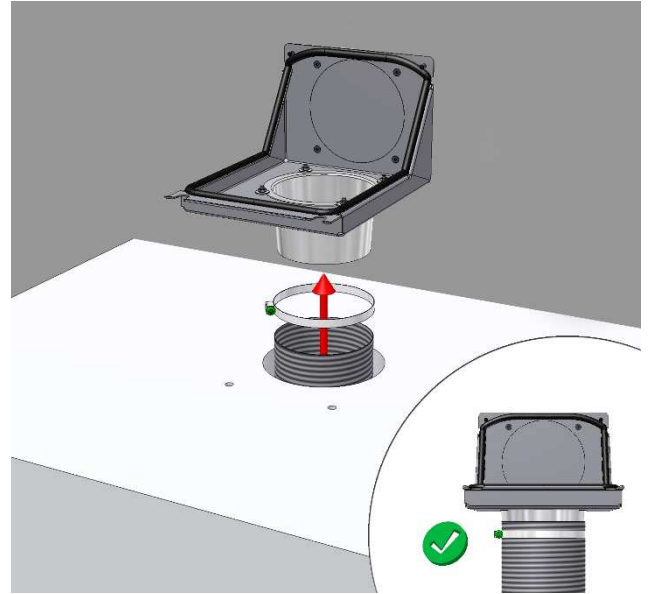


III

B.4



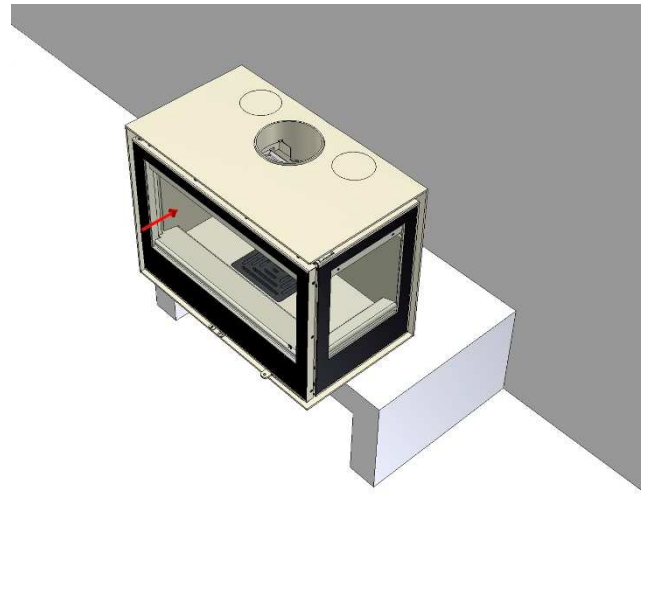
B.5



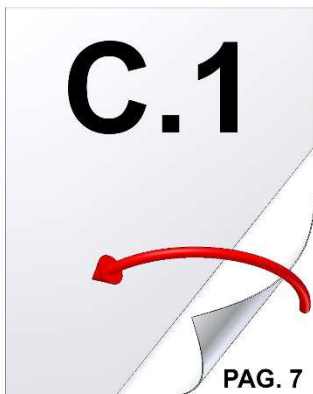
B.6



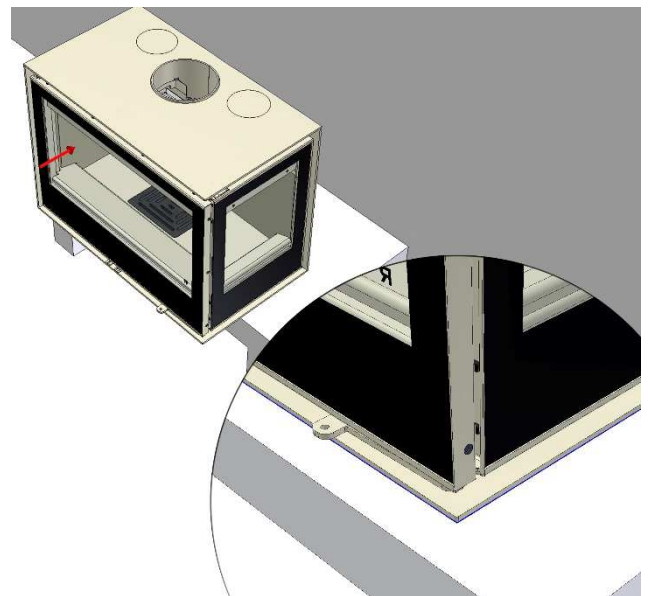
B.7



B.8

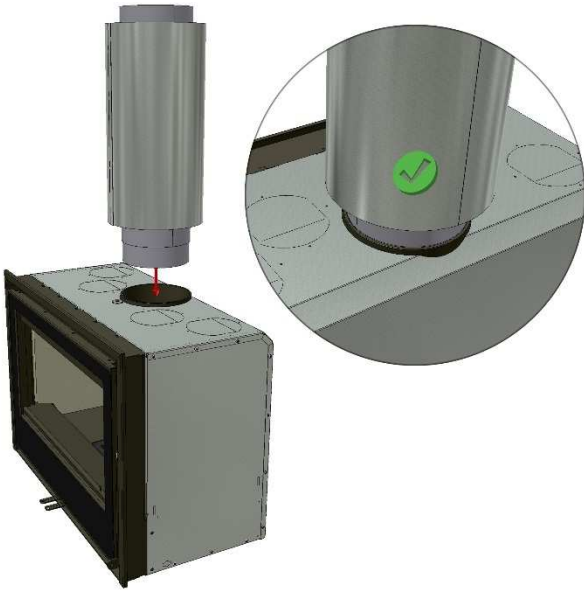


C.1

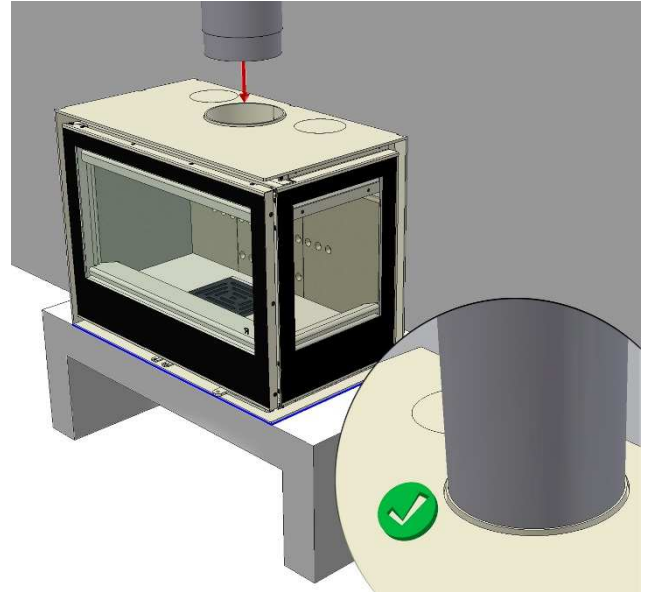


III

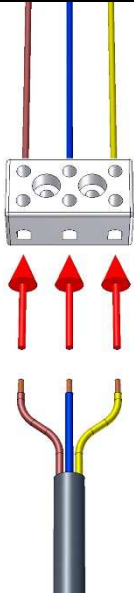
C.2 (+Plus 180)



C.2



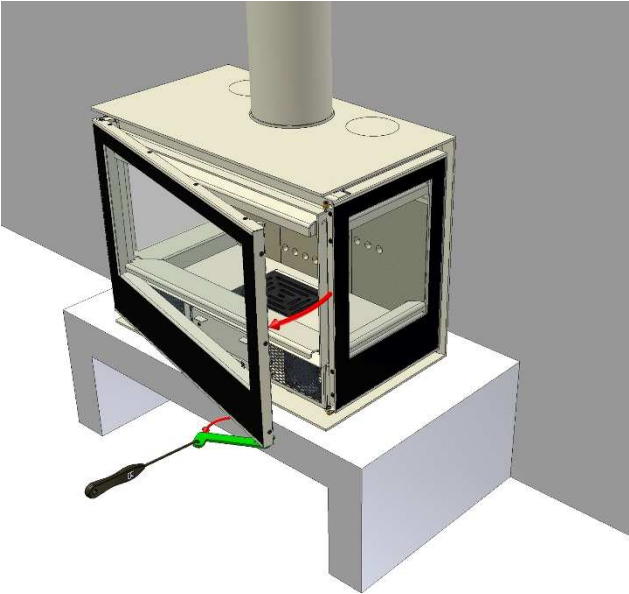
C.3



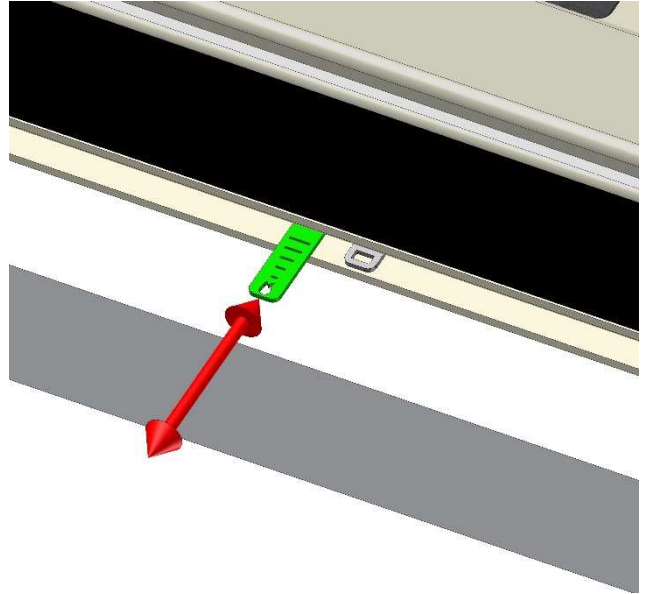
220/230 V AC
50/60 Hz

IV

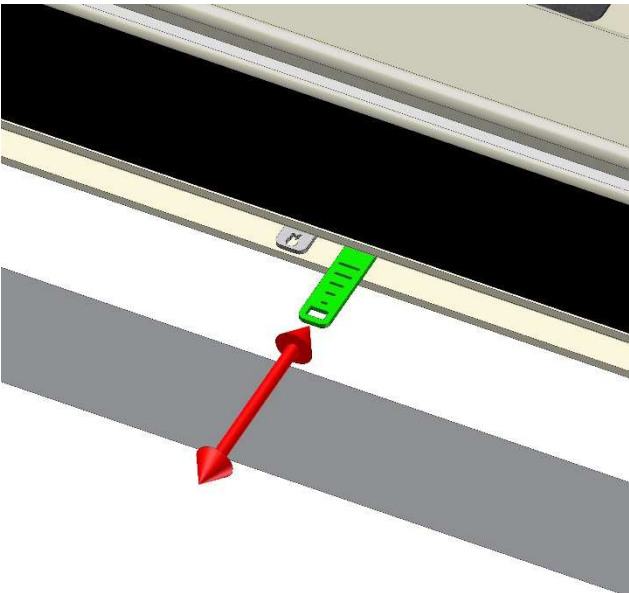
D.1



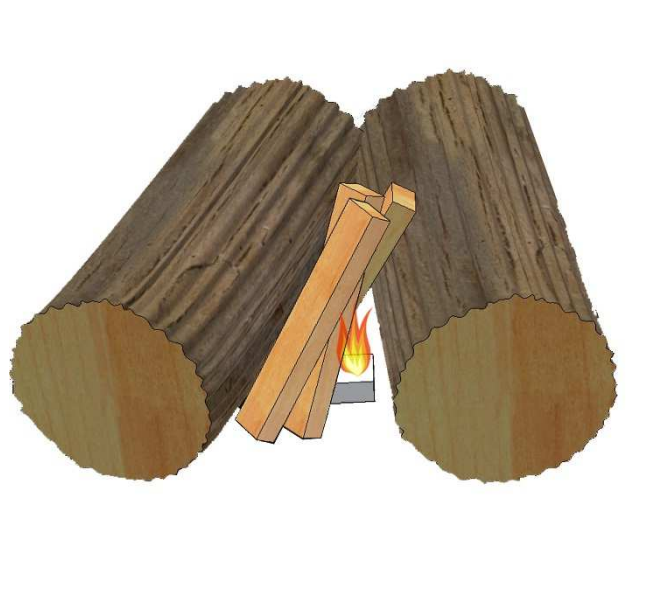
D.2



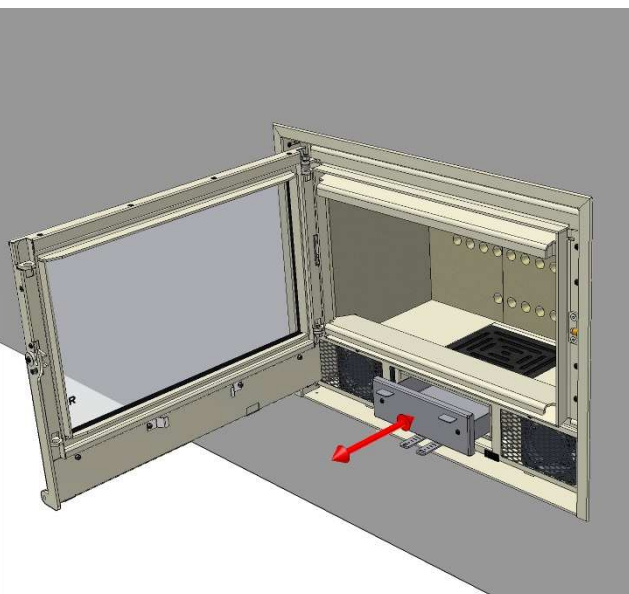
D.3



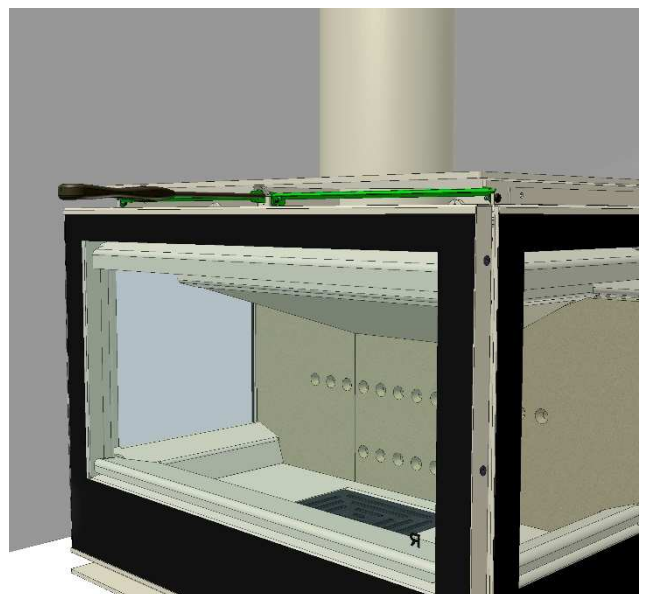
D.4



D.5

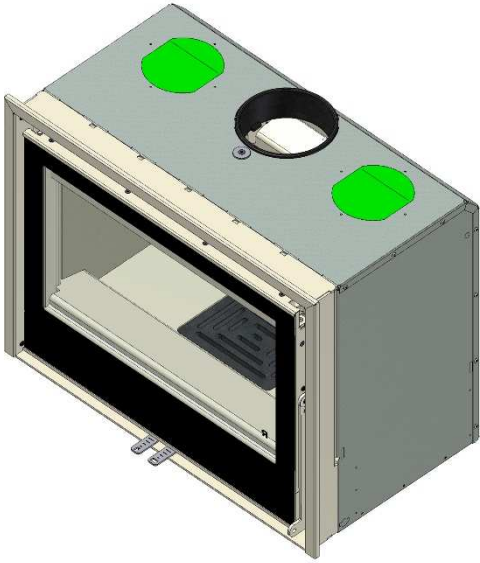


D.6

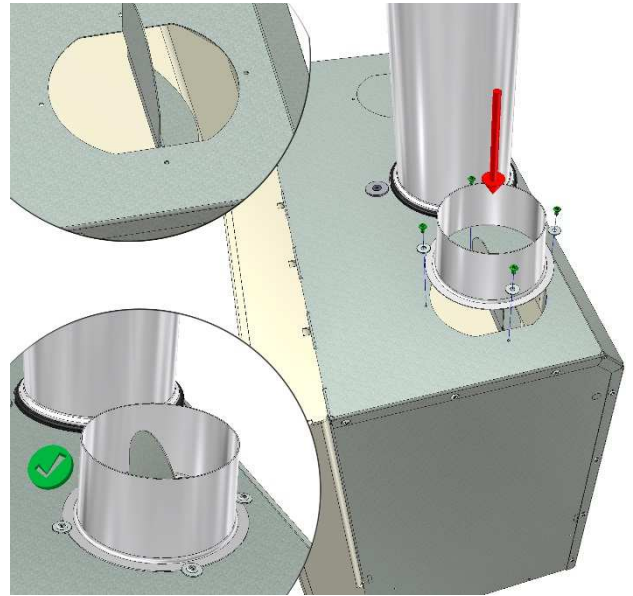


IV

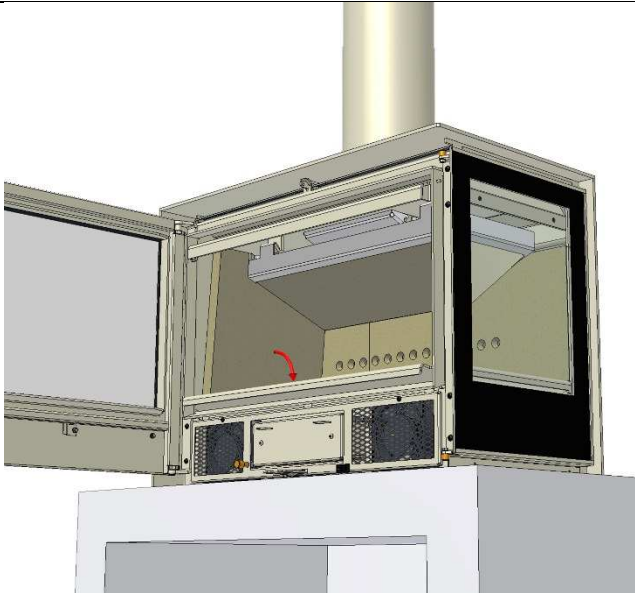
D.7



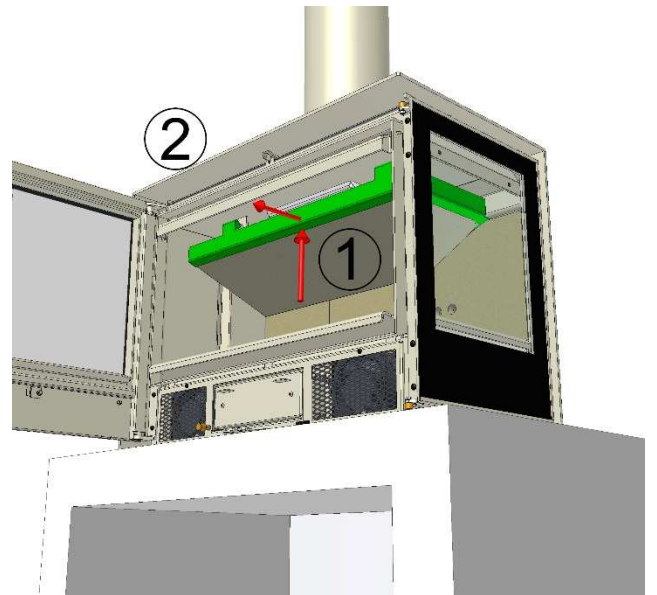
D.8



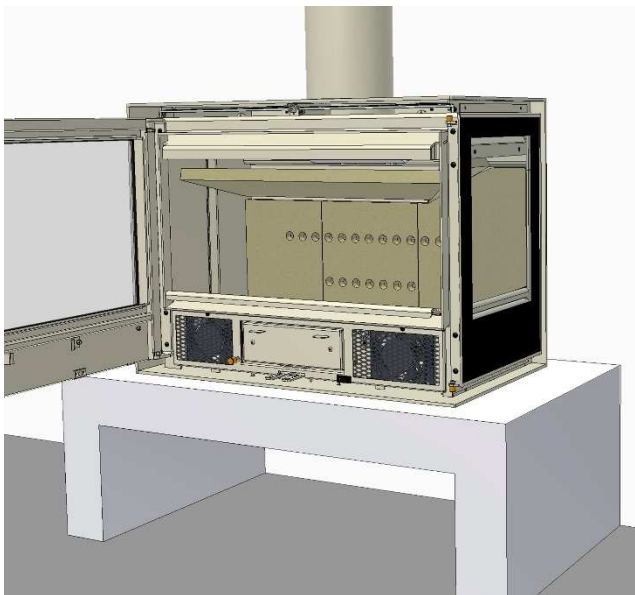
D.9



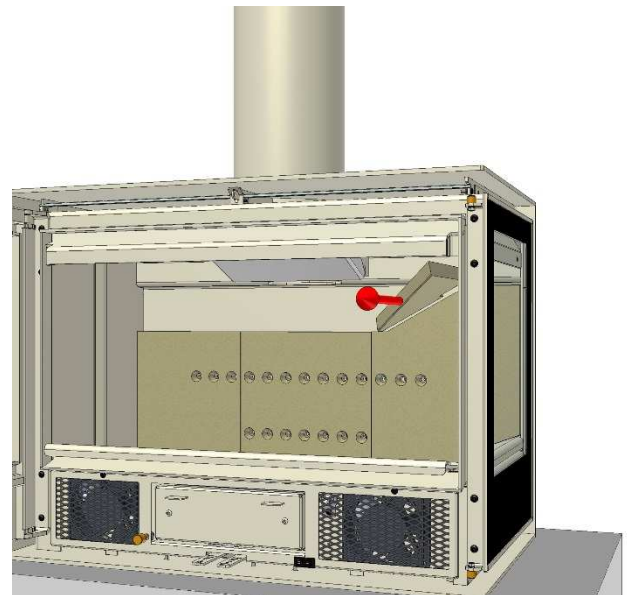
D.10



D.11

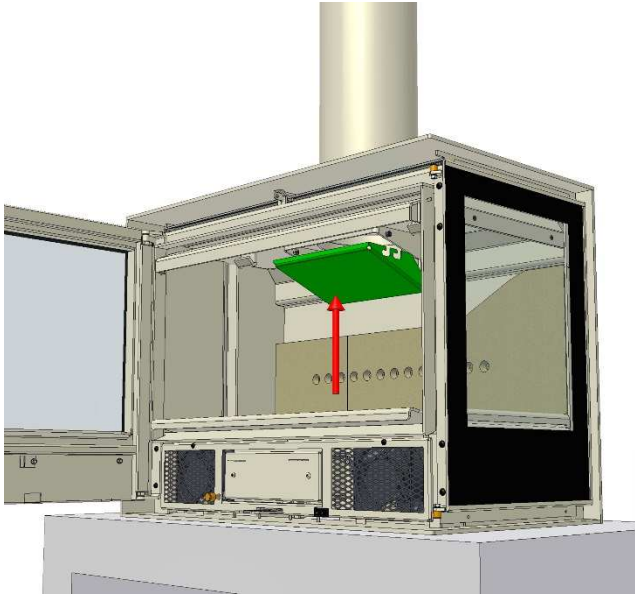


D.12

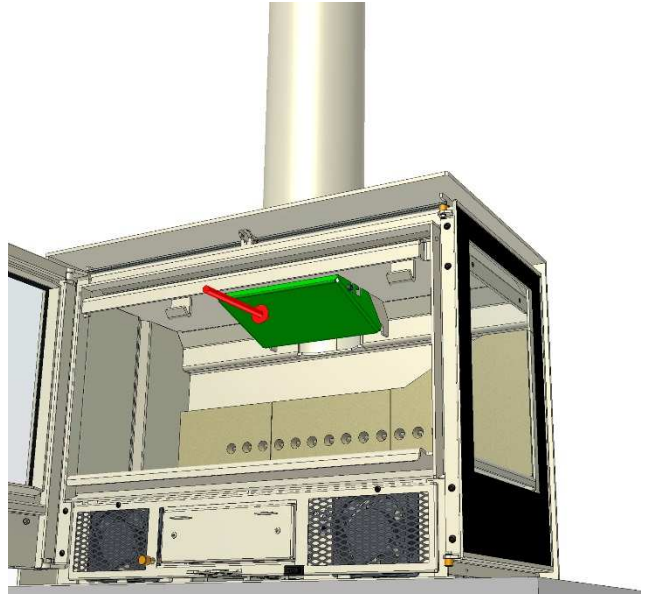


IV

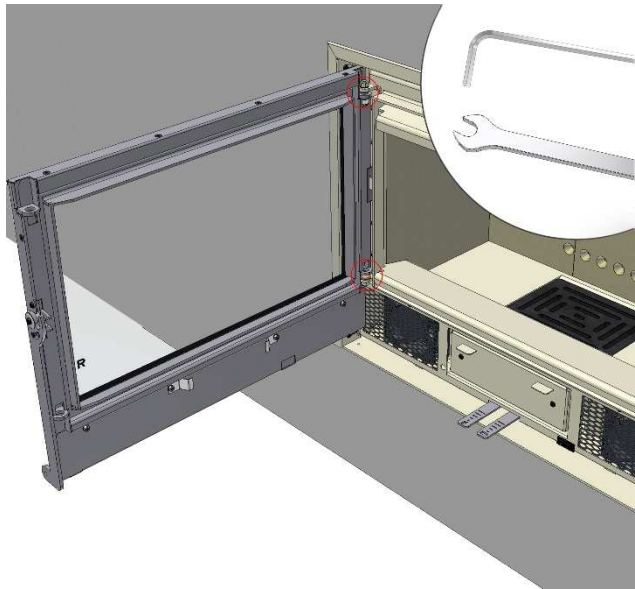
D.13



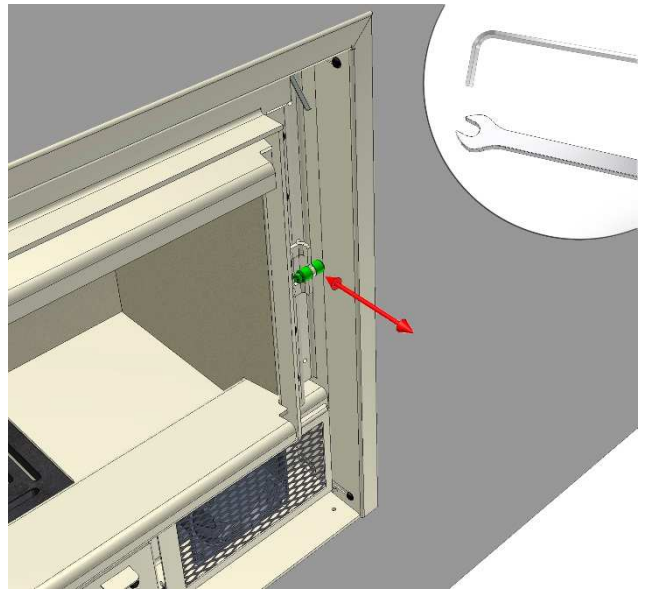
D.14



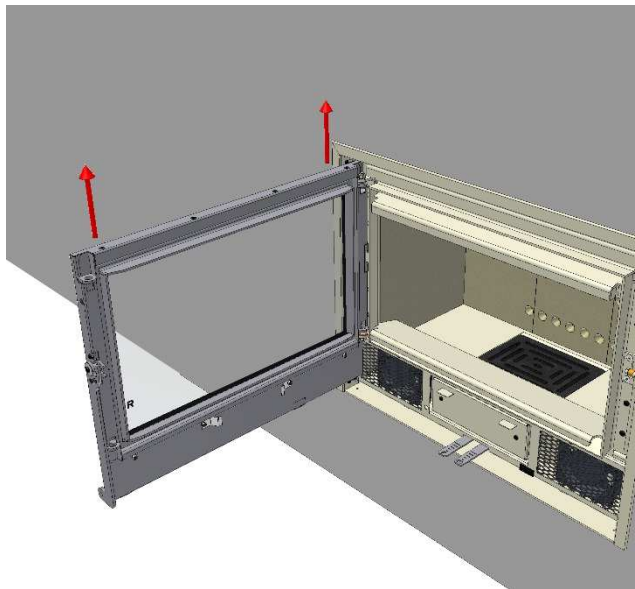
D.15



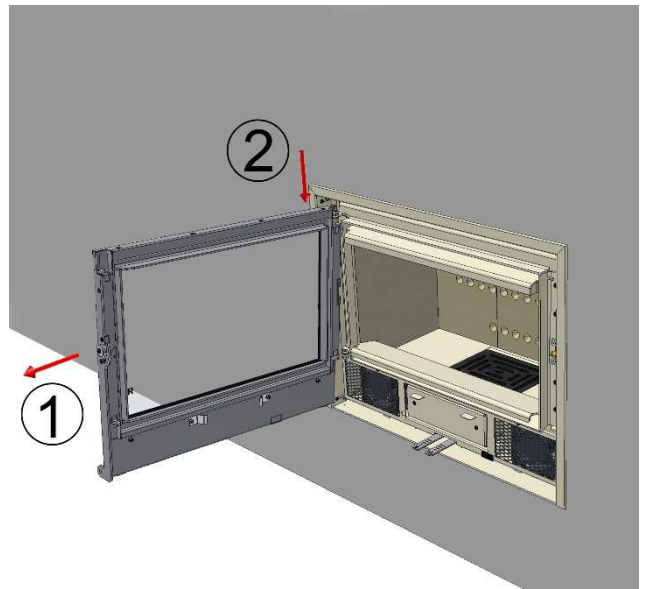
D.16



D.17

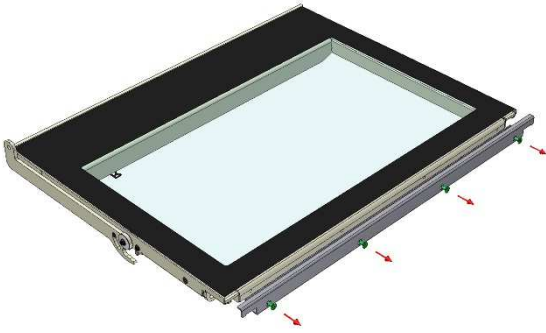


D.18

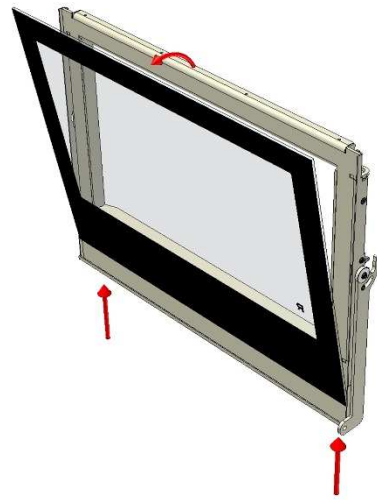


IV

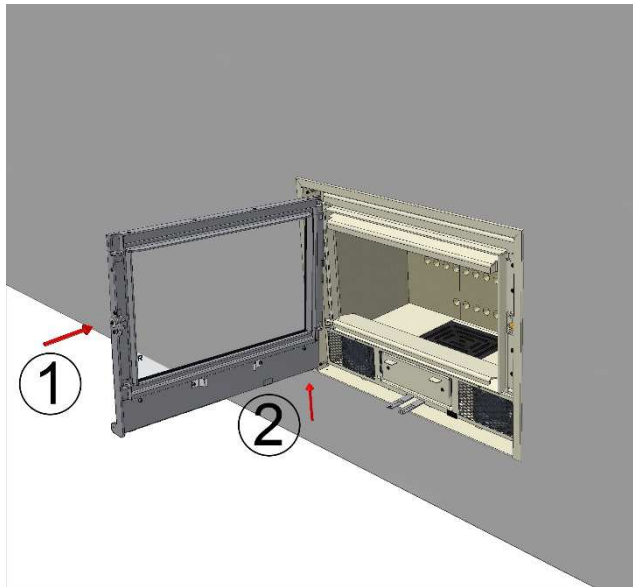
D.19



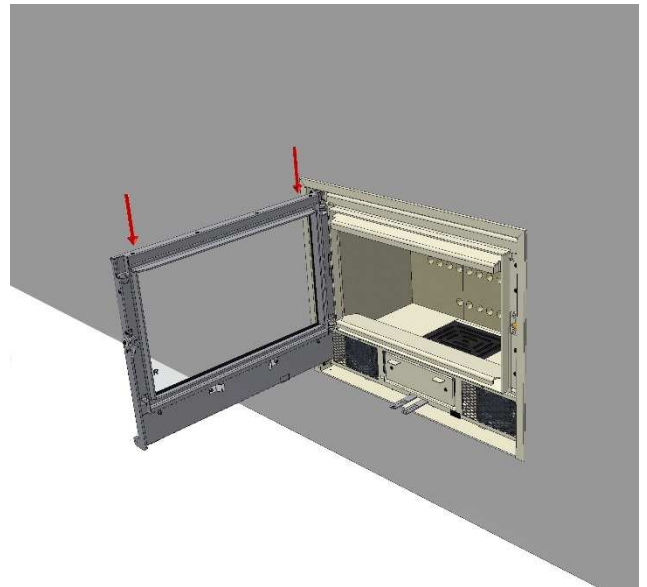
D.20



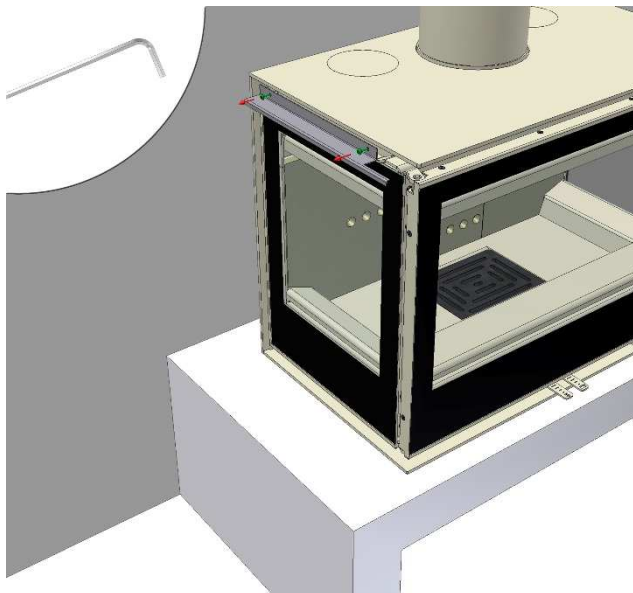
D.21



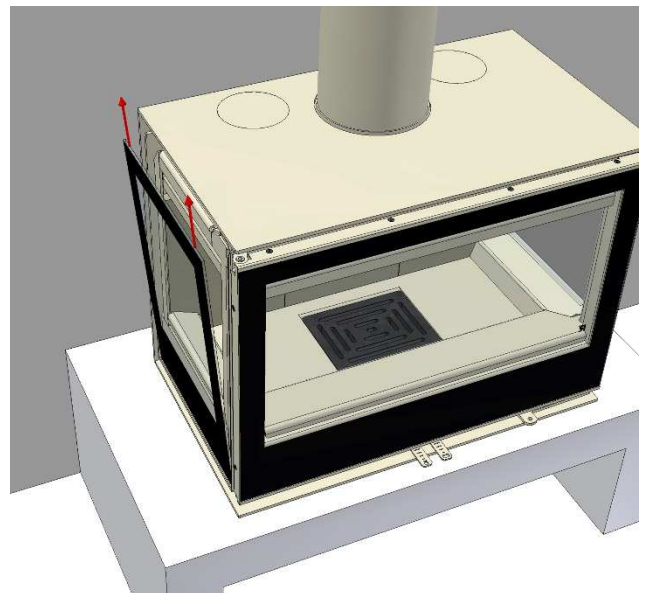
D.22



D.23

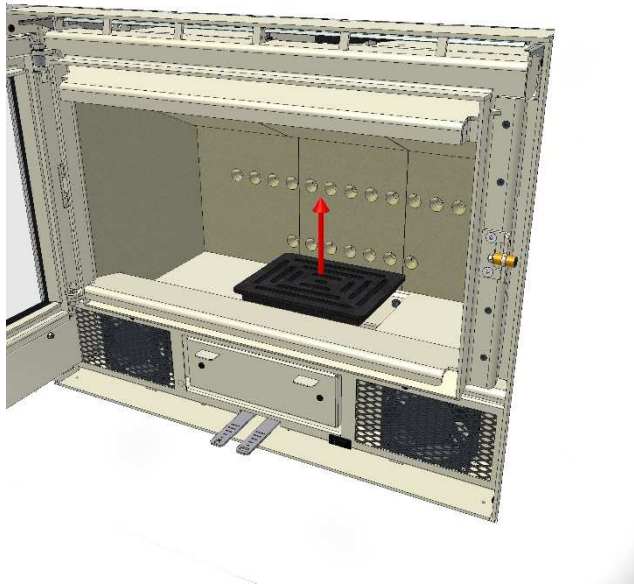


D.24

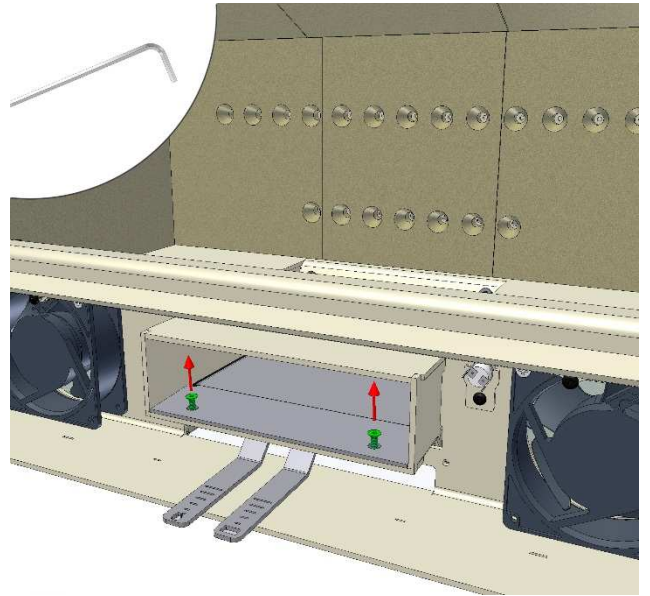


IV

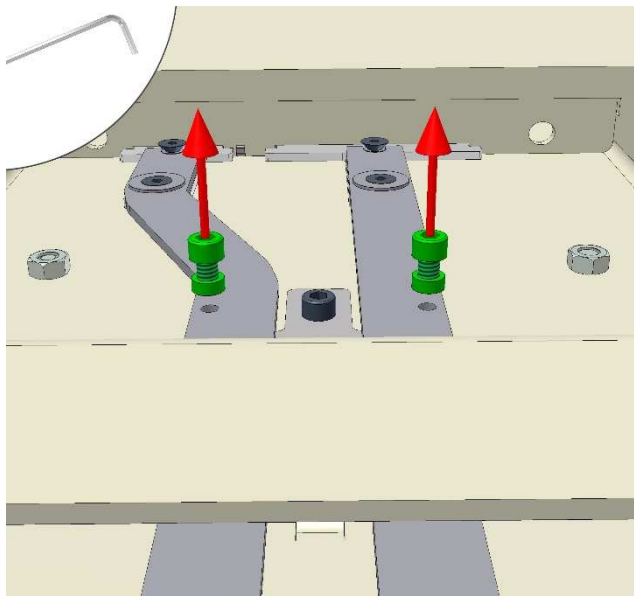
D.25



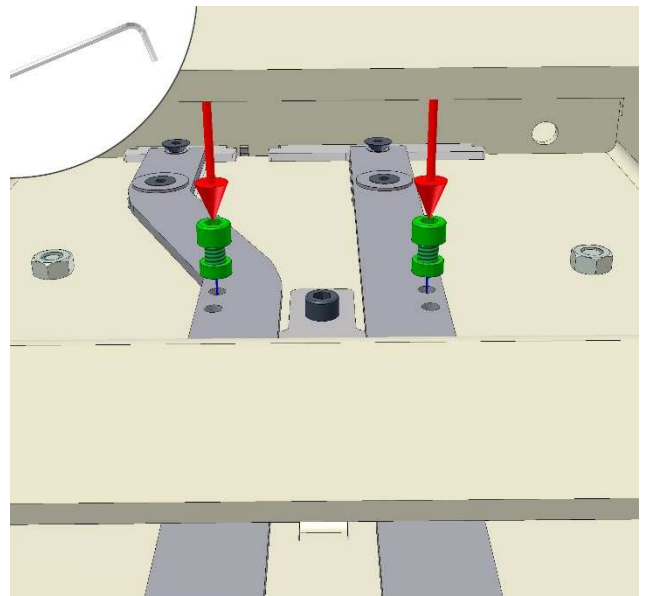
D.26



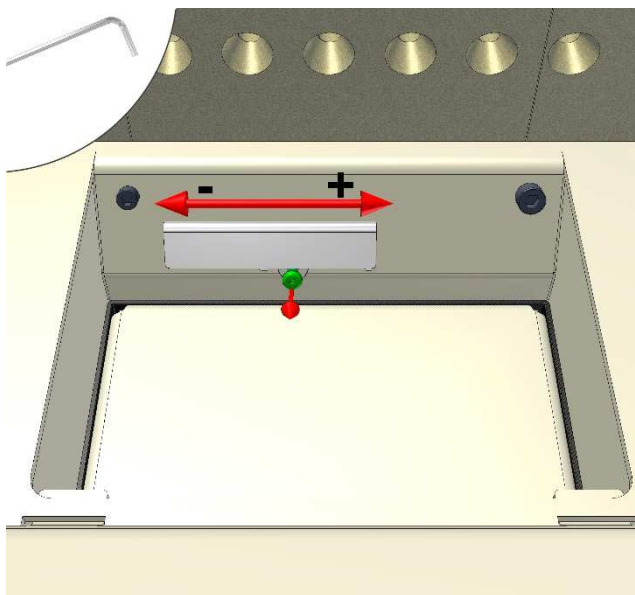
D.27



D.28

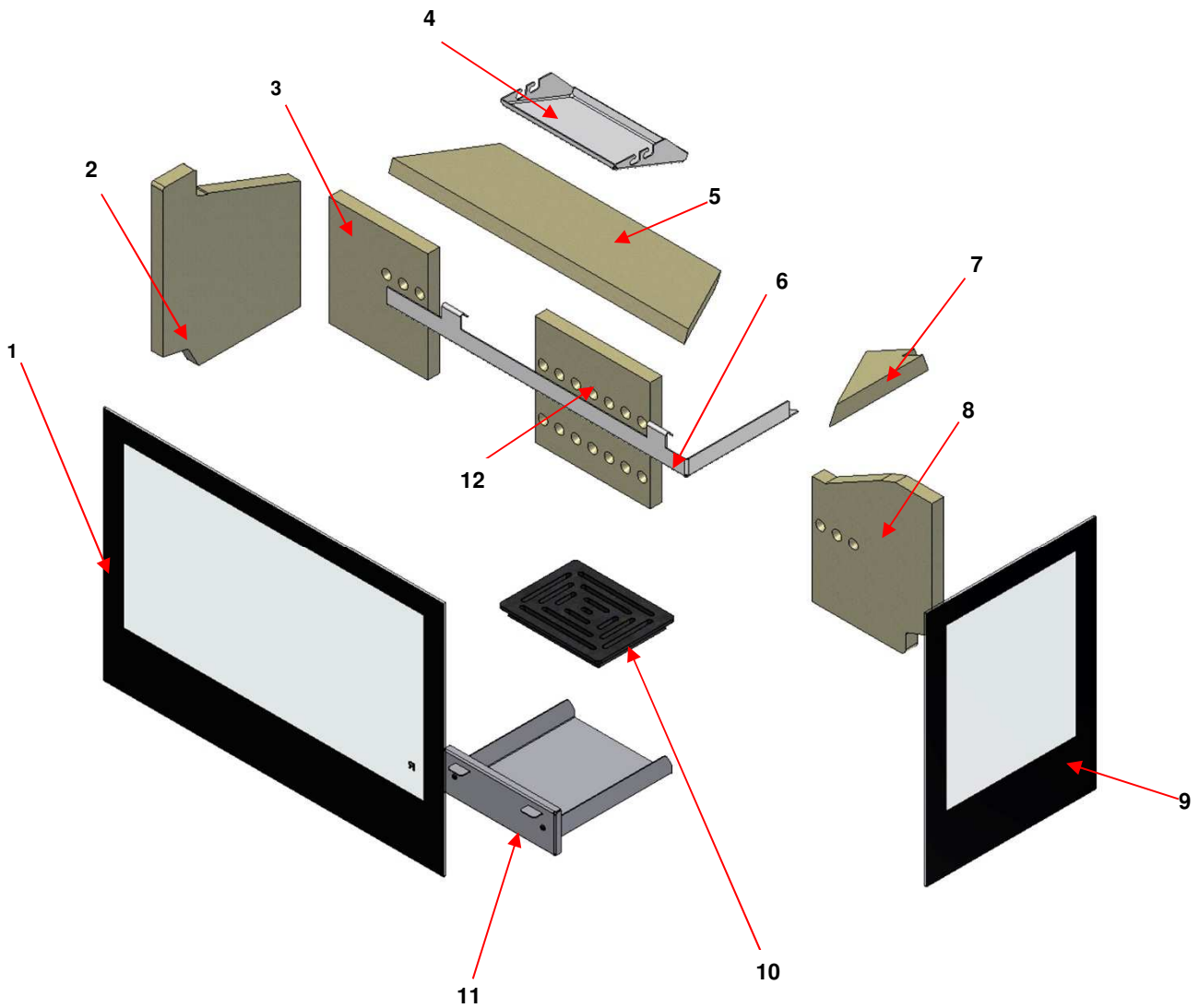


D.29



D.30

V



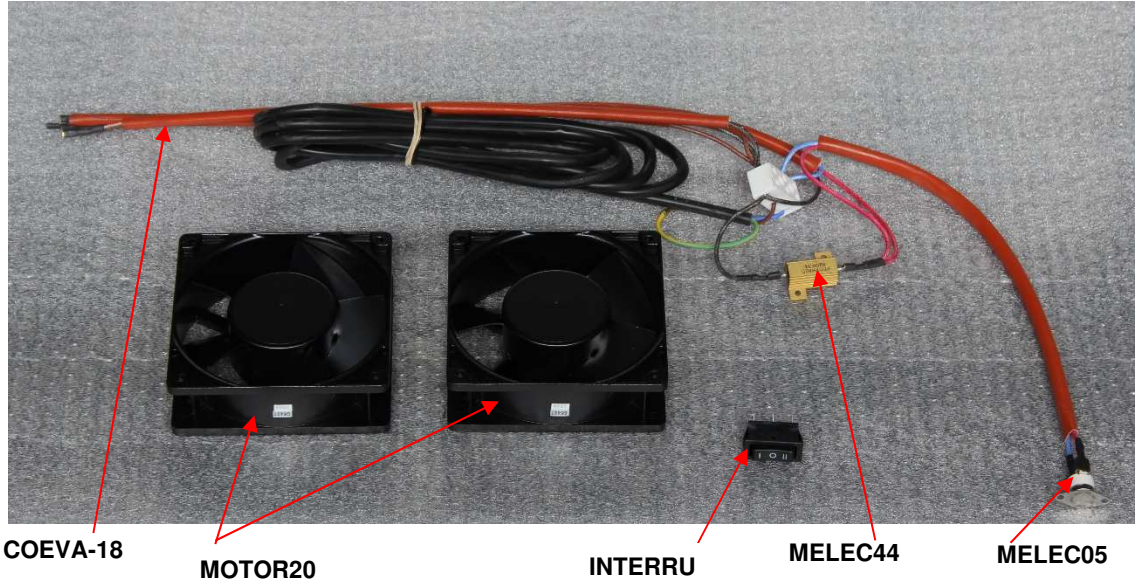
CODES

	ARc 76 LD ARc 76 LD +Plus 180	ARc 76 LI ARc 76 LI +Plus 180	ARc 96 LD ARc 96 LD +Plus 180	ARc 96 LI ARc 96 LI +Plus 180
1	M5746-200	M5746-200	M5716-200	M5716-200
2	VRM5952-6	VRM5953-6	VRM5955-7	VRM5956-7
3	VRM5952-4	VRM5953-4	VRM5955-5	VRM5956-5
4	M5952-14	M5953-14	M5952-14	M5953-14
5	VRM5952-1	VRM5953-1	VRM5955-1/2	VRM5956-1/2
6	M5952-30	M5953-30	M5954-30	M5956-30
7	VRM5952-2	VRM5953-2	VRM5955-3	VRM5956-3
8	VRM5952-5	VRM5953-5	VRM5955-6	VRM5956-6
9	M5952-200b	M5953-200B	M5955-200B	M5956-200B
10	FUM5900-400	FUM5900-400	FUM5900-400	FUM5900-400
11	M5952-28/29	M5953-28/29	M5955-28/29	M5956-28/29
12	VRM5952-3	VRM5953-3	VRM5955-4	VRM5956-4

V

ARc 76 LD, ARc 76 LI

ARc 76 LD +Plus 180 , ARc 76 LI +Plus 180



ARc 96 LD, ARc 96 LI

ARc 96 LD +Plus 180 , ARc 96 LI +Plus 180

