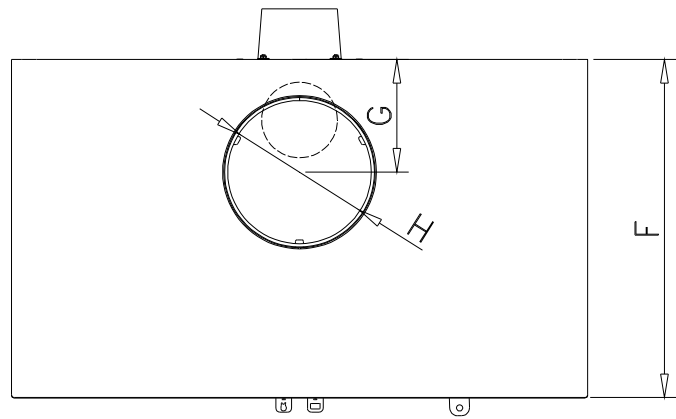
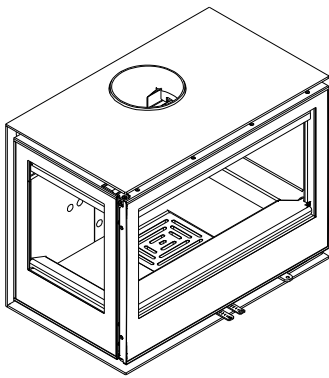
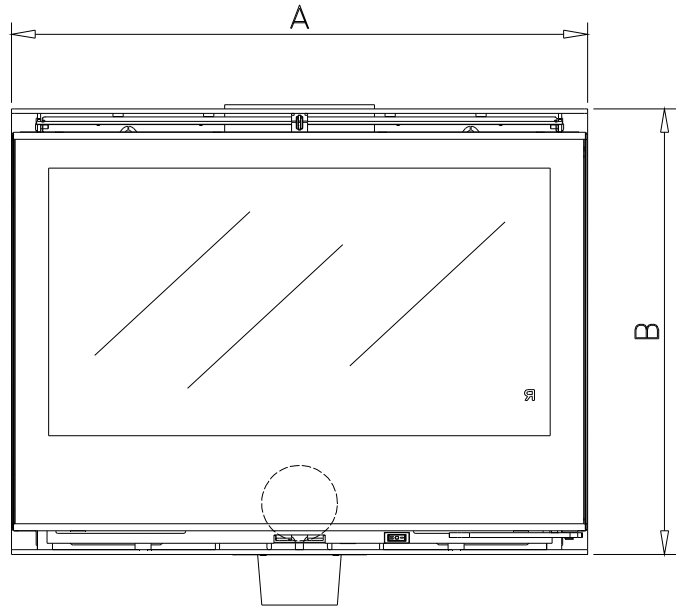
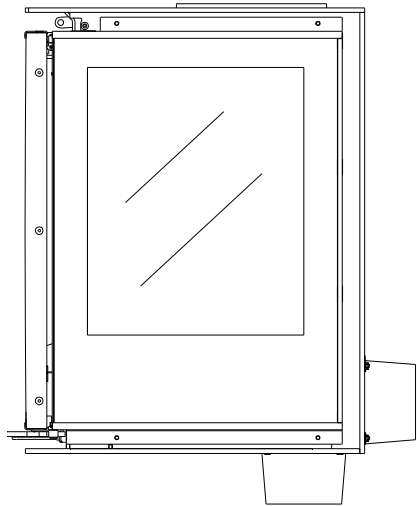


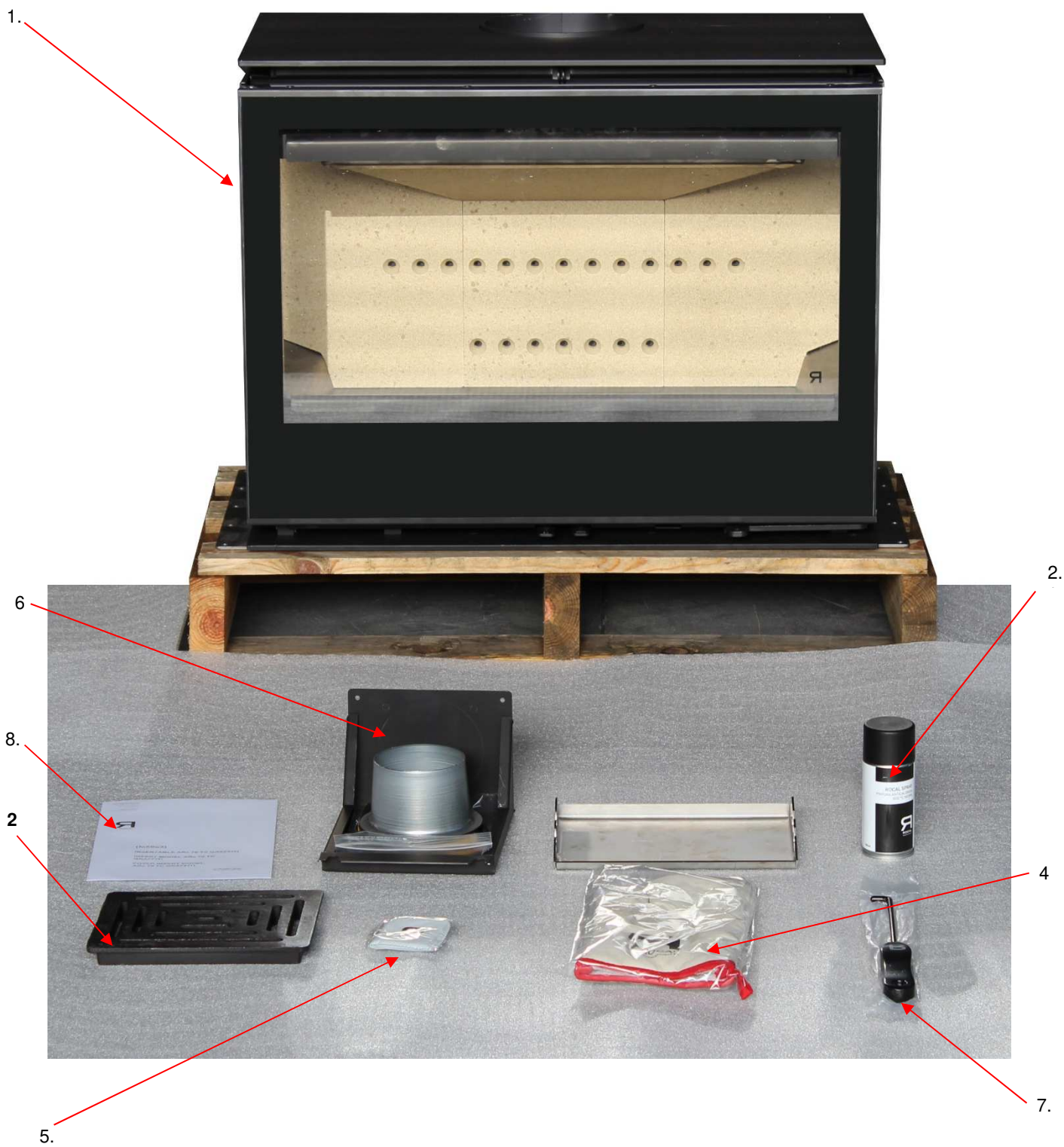
# ANEXO/ANNEX/ANNEXE/ANESSO

I



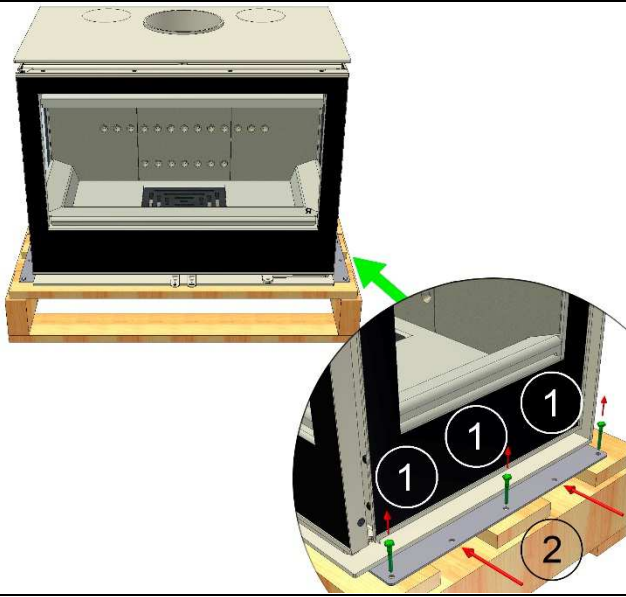
| mm | Habit 73 TC +T | Habit 93 TC +T |
|----|----------------|----------------|
| A  | 730            | 930            |
| B  | 567            | 592            |
| F  | 430            | 430            |
| G  | 143            | 143            |
| H  | 180            | 180            |

# II

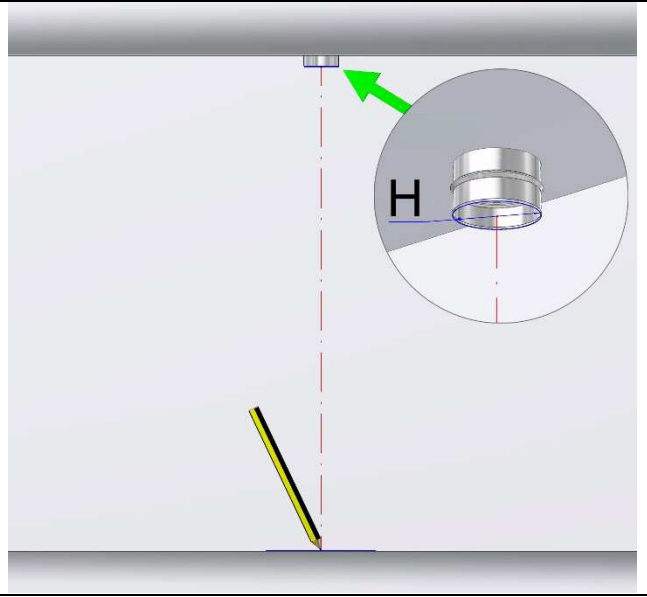


# III

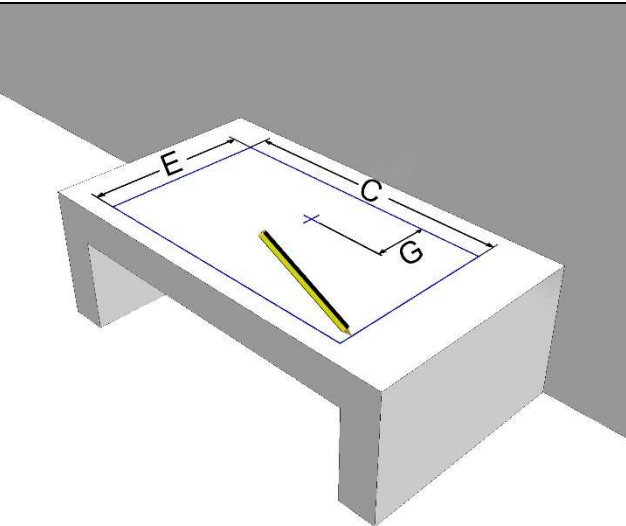
1



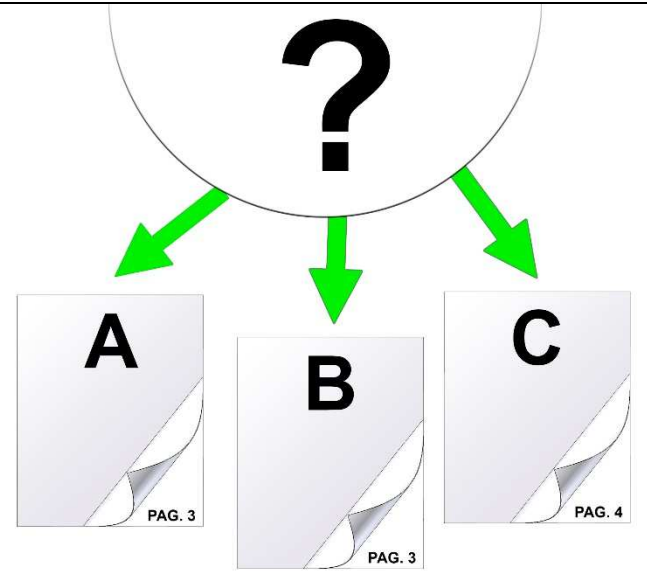
2



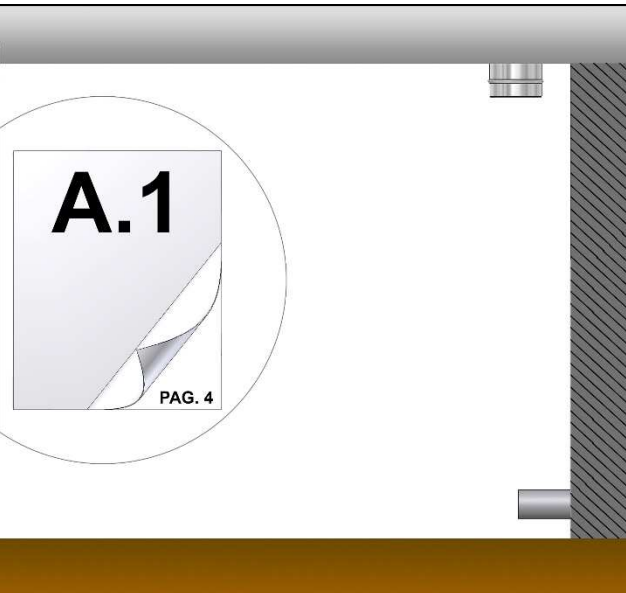
3



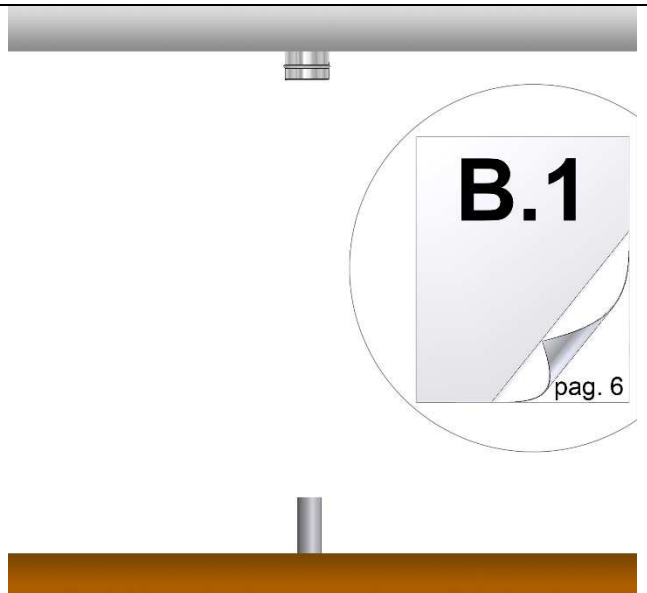
4



A

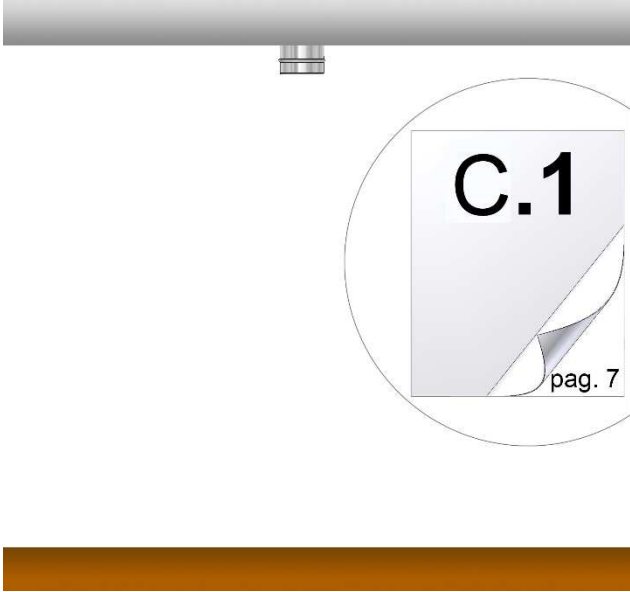


B

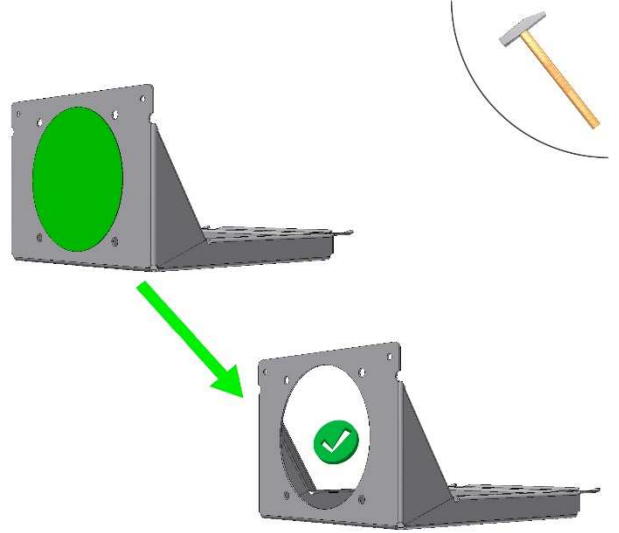


# III

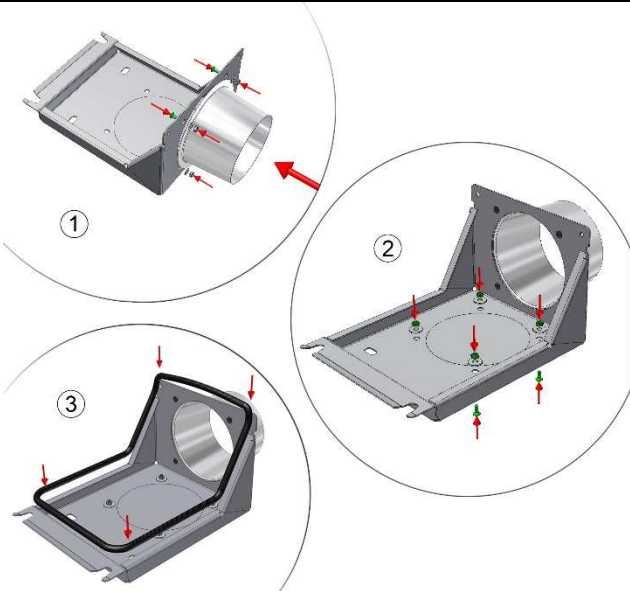
C



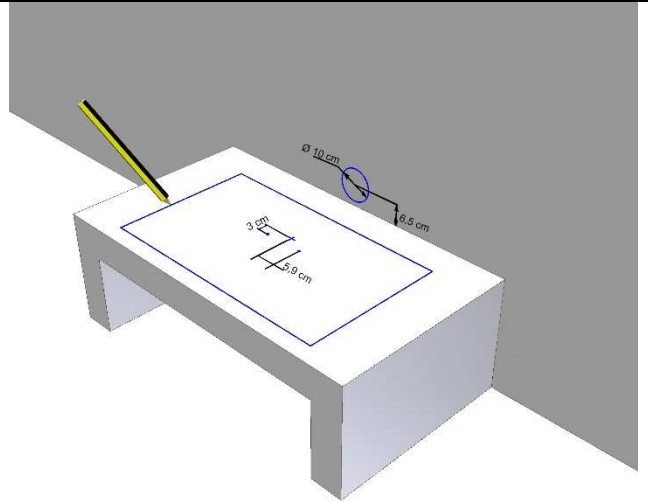
A.1



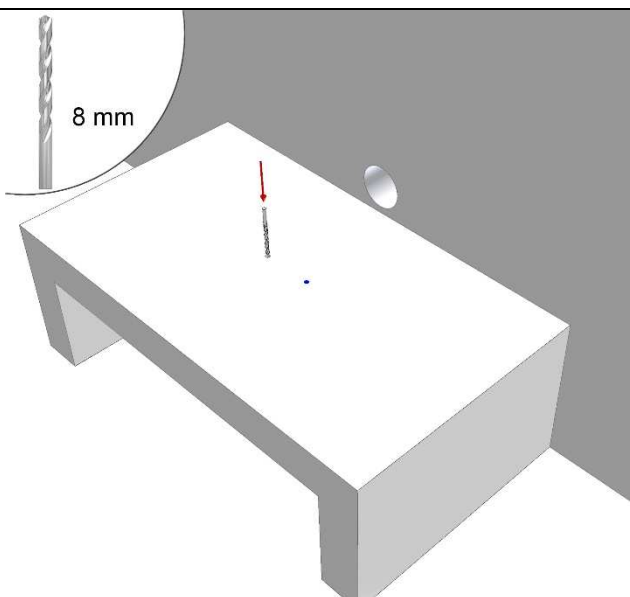
A.2



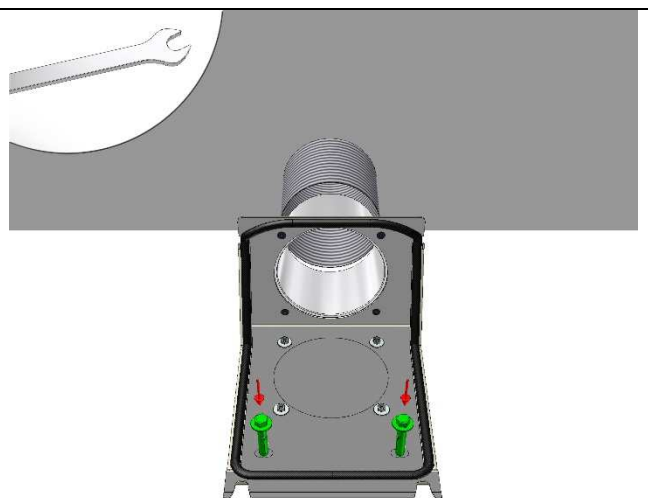
A.3



A.4

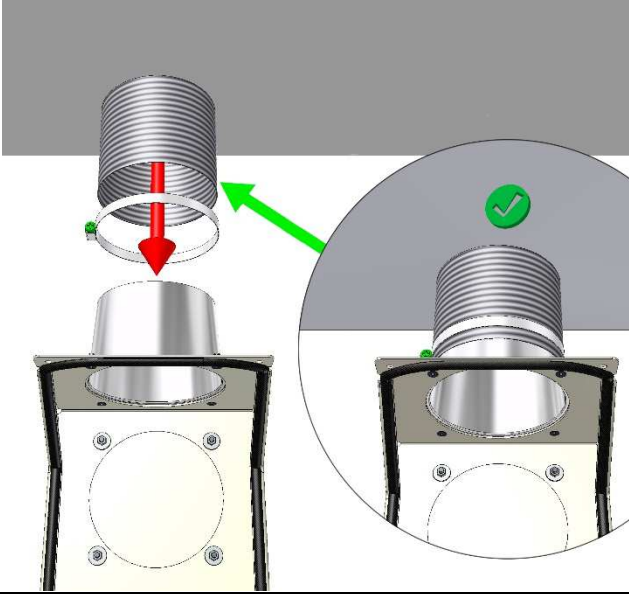


A.5

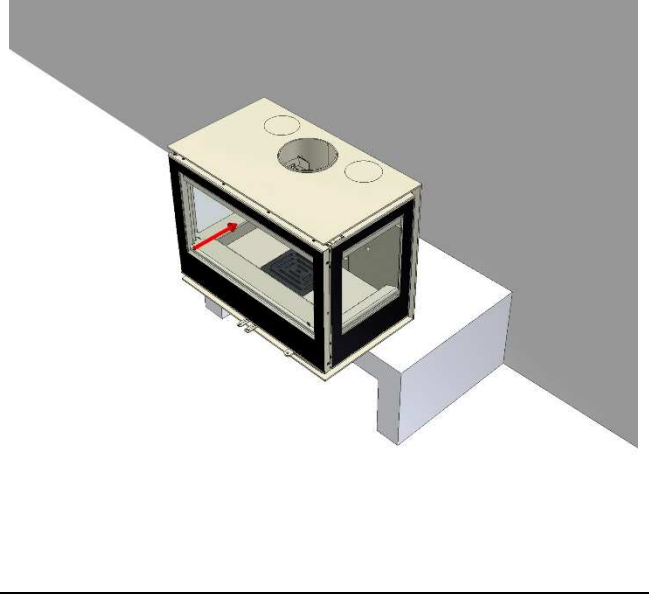


# III

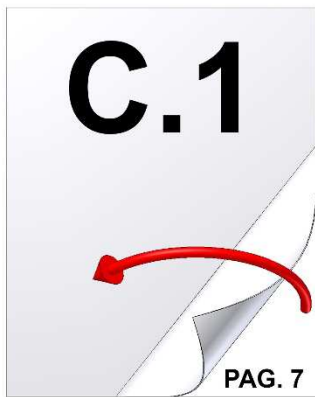
A.6



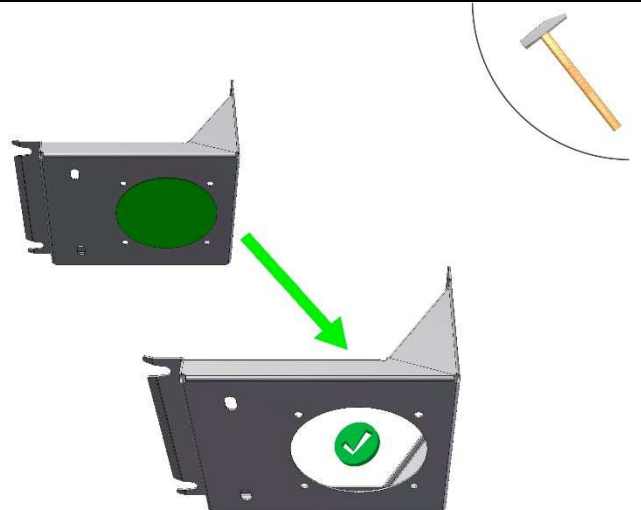
A.7



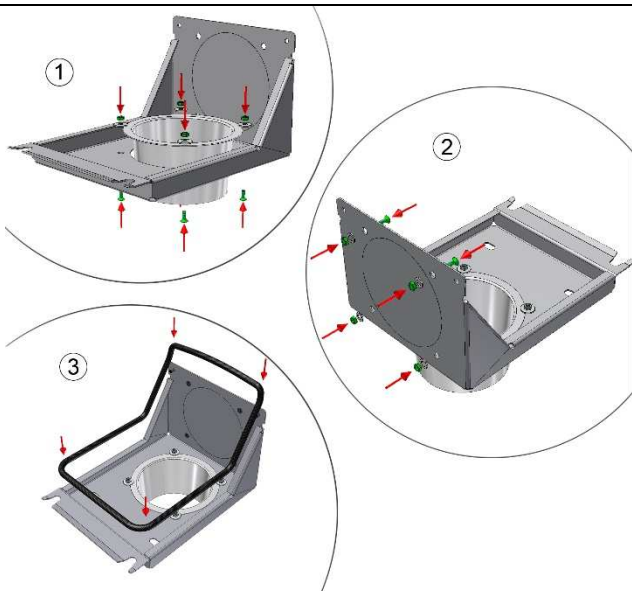
A.8



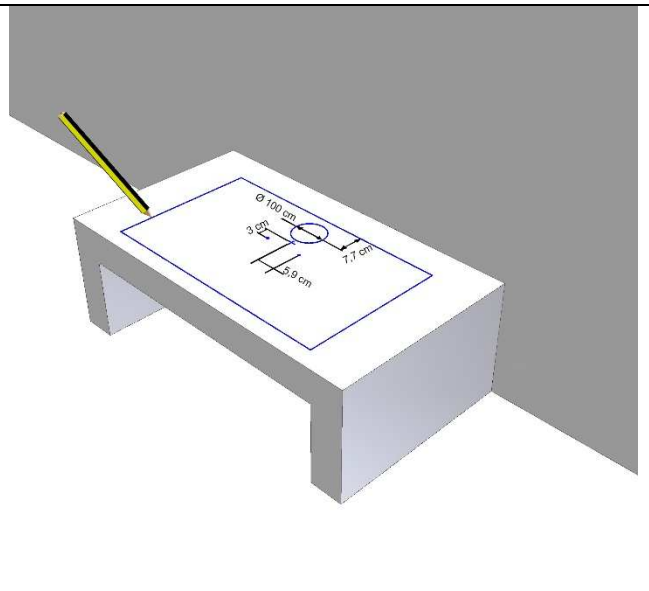
B.1



B.2

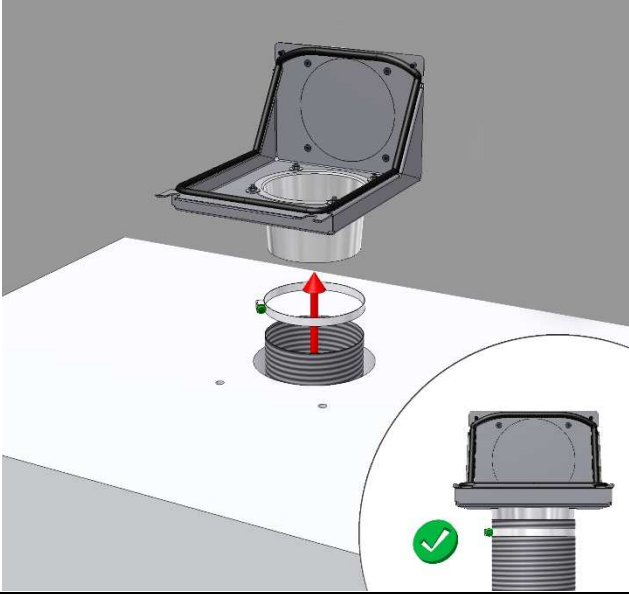


B.3

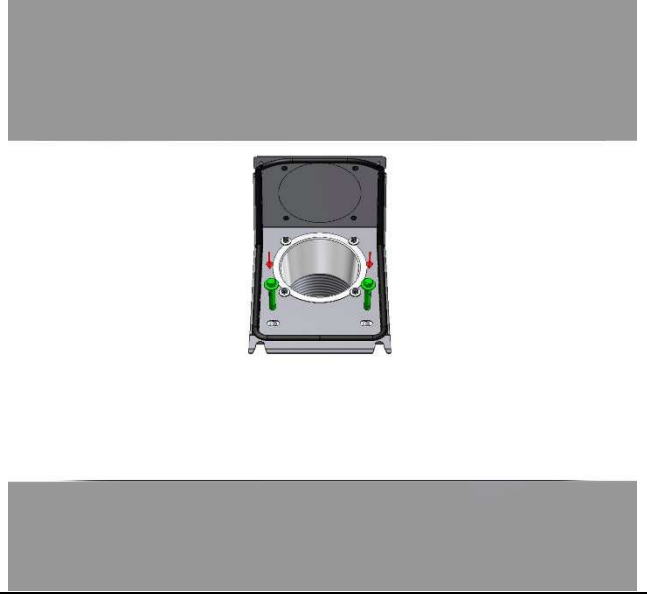


# III

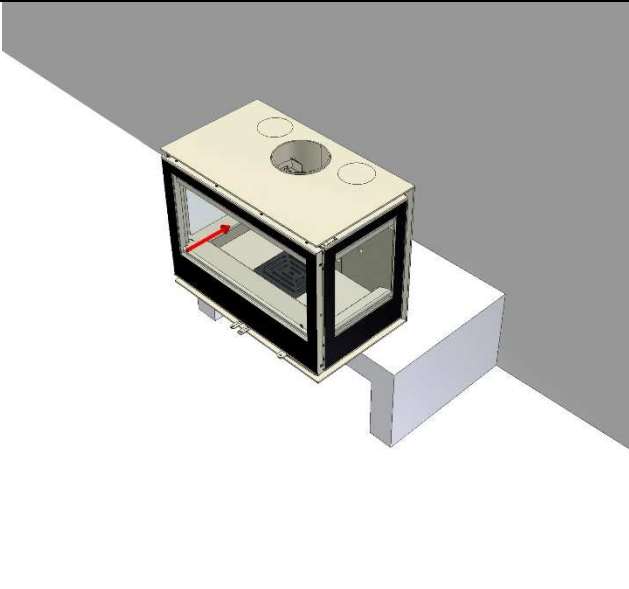
B.4



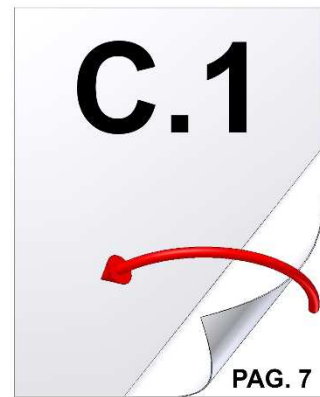
B.5



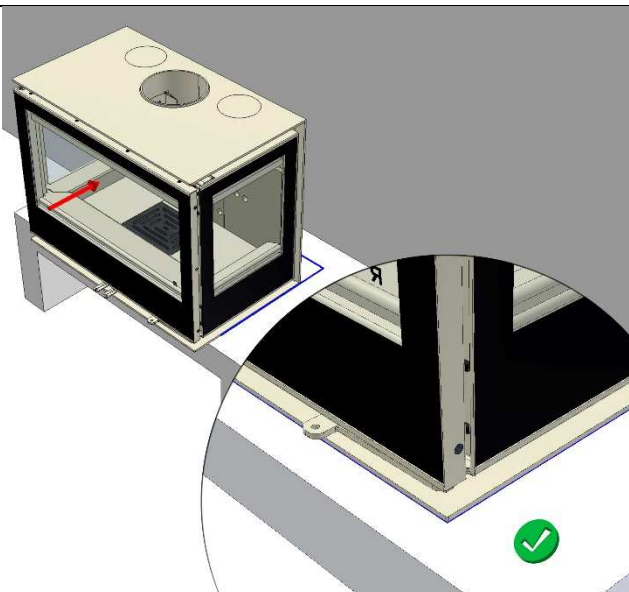
B.6



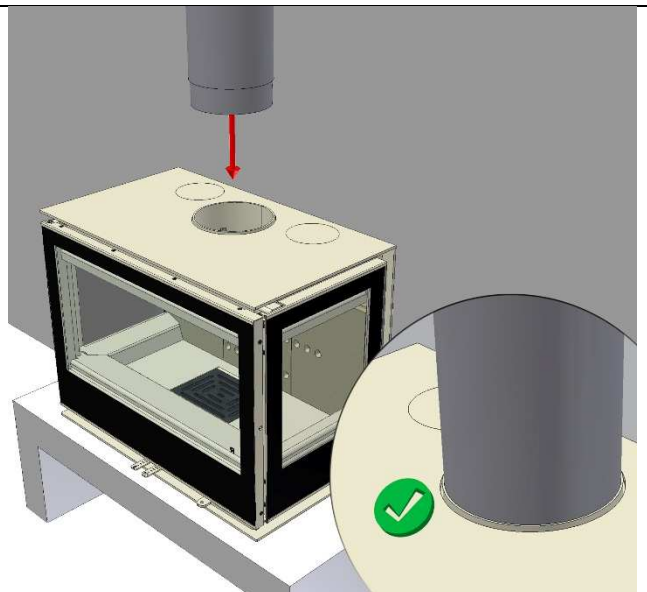
B.7



C.1

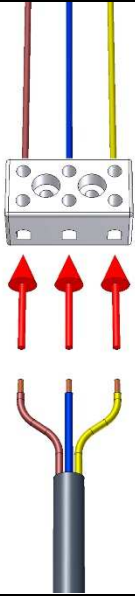


C.2





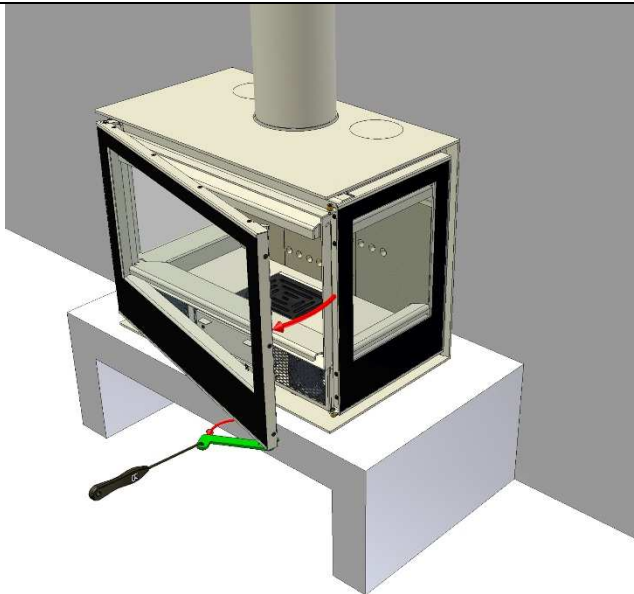
C. 4



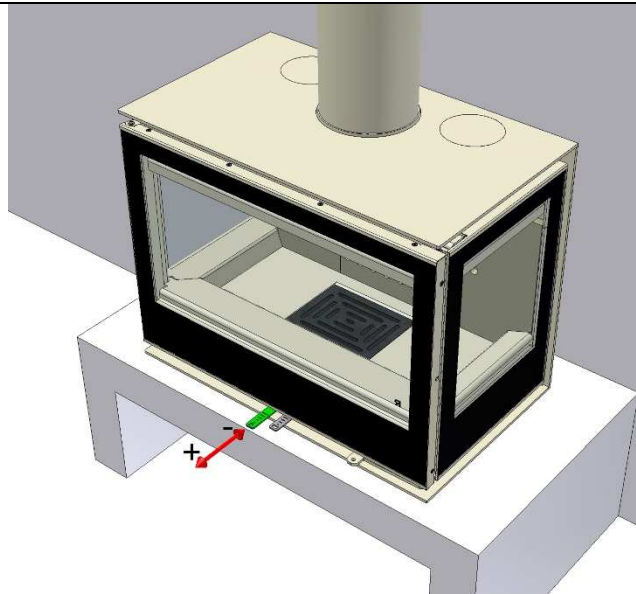
220/230 V AC  
50/60 Hz

# IV

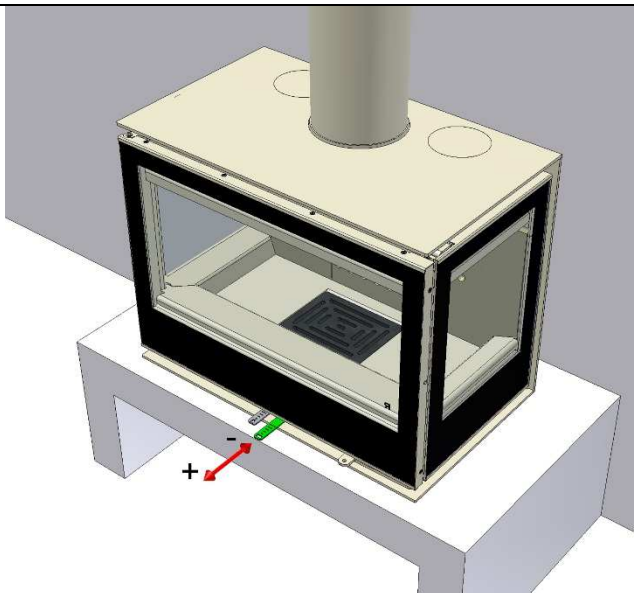
D.1



D.2



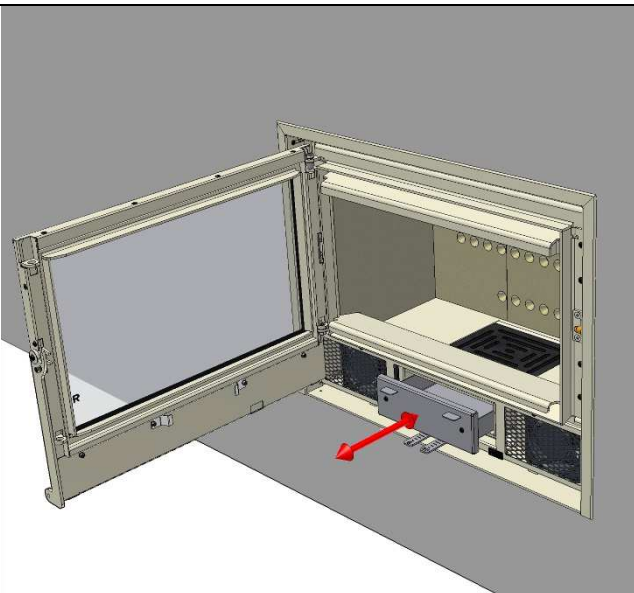
D.3



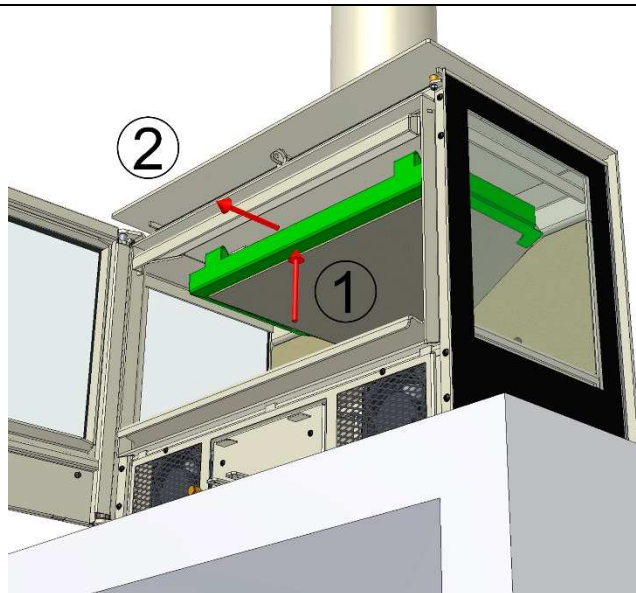
D.4



D.5



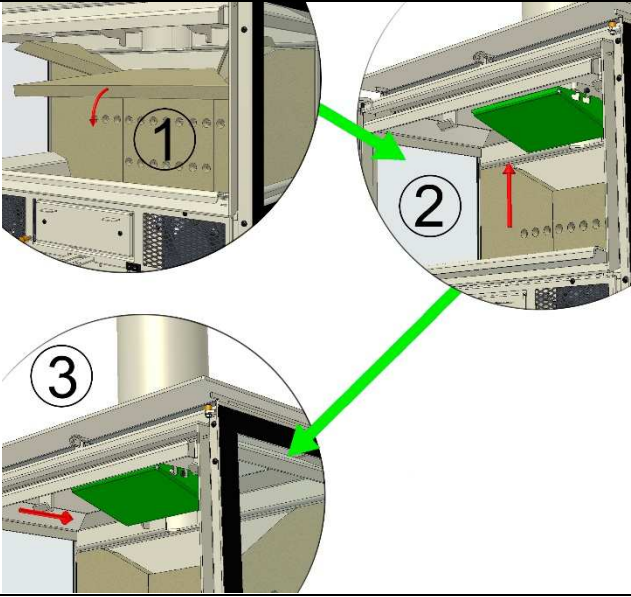
D.6



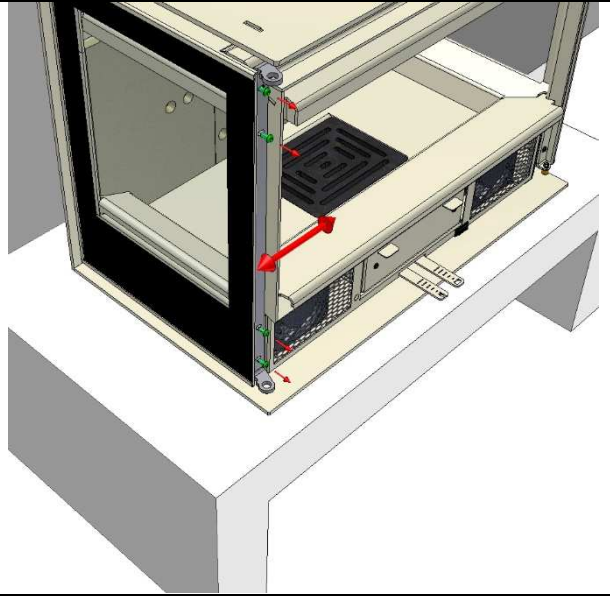


# IV

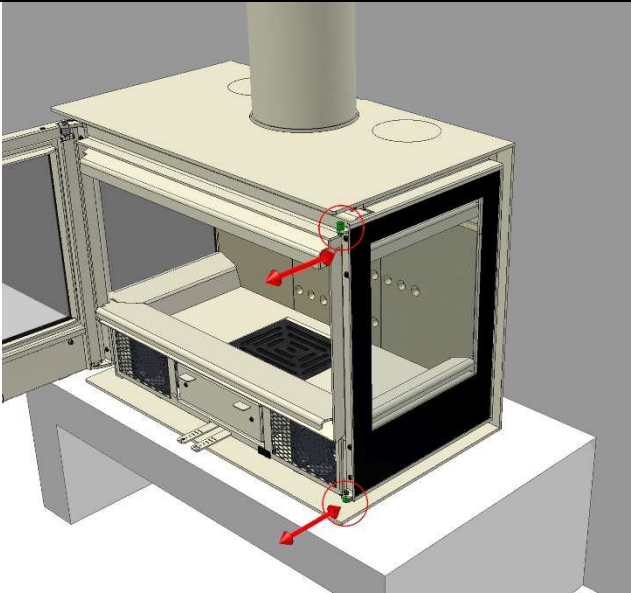
D.7



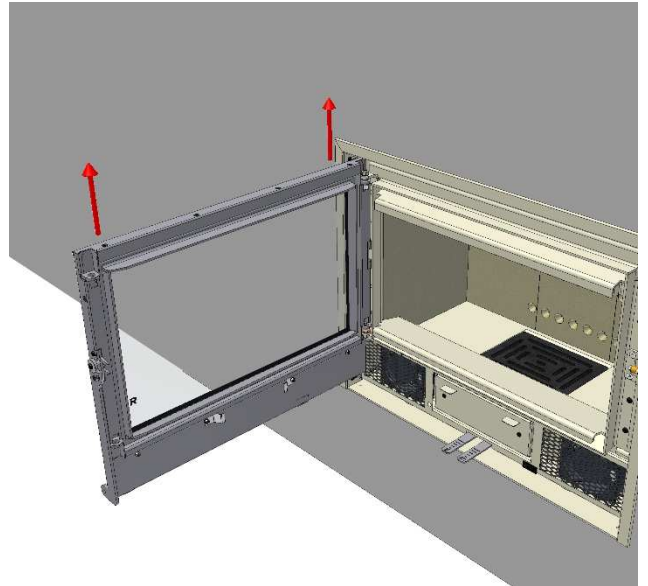
D.8



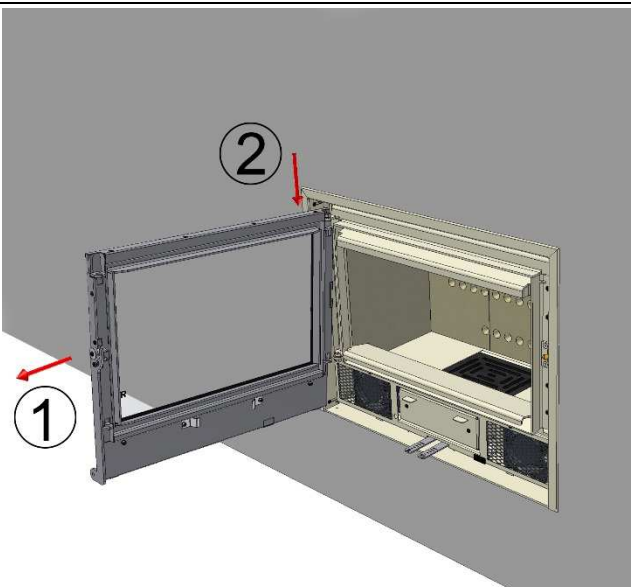
D.9



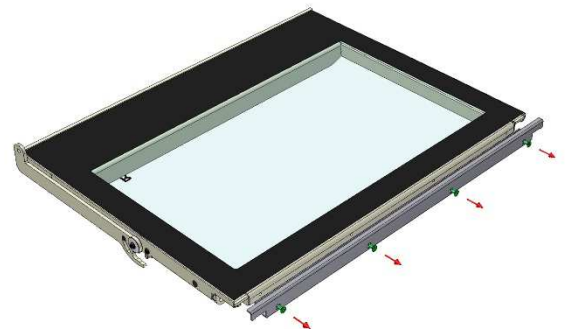
D.10



D.11

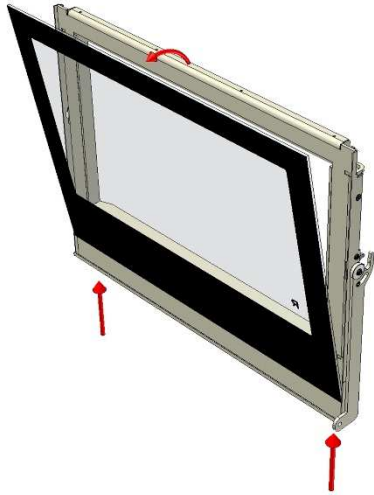


D.12

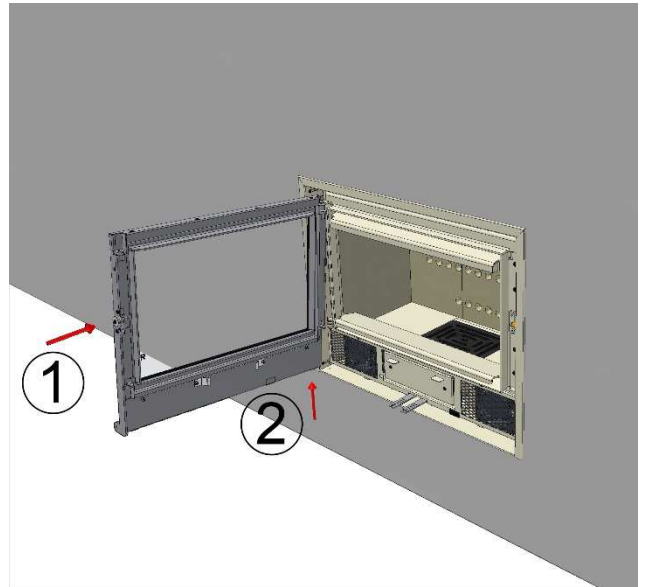


# IV

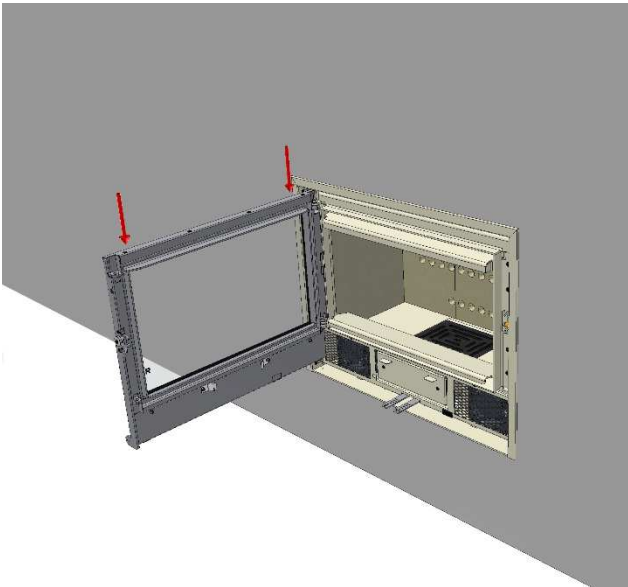
D.13



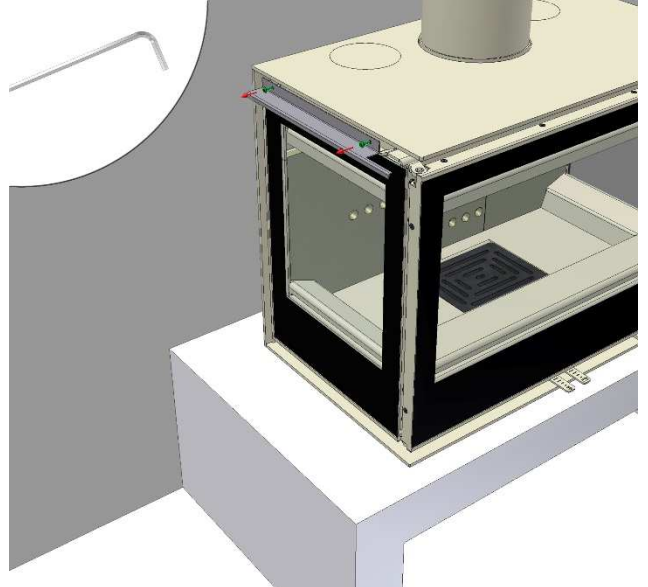
D.14



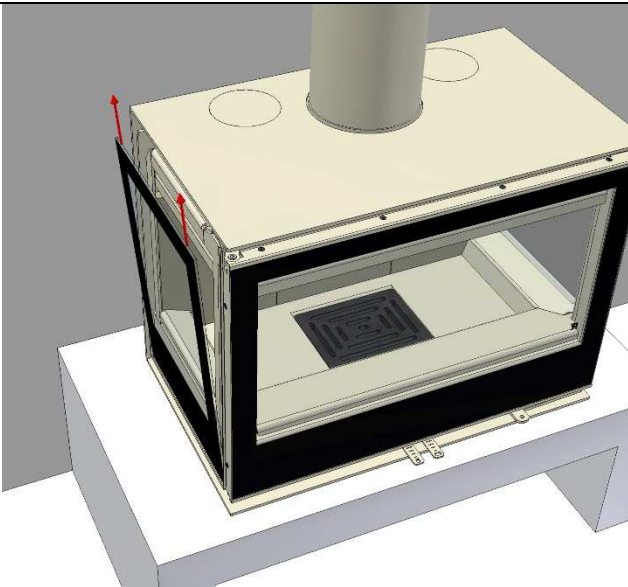
D.15



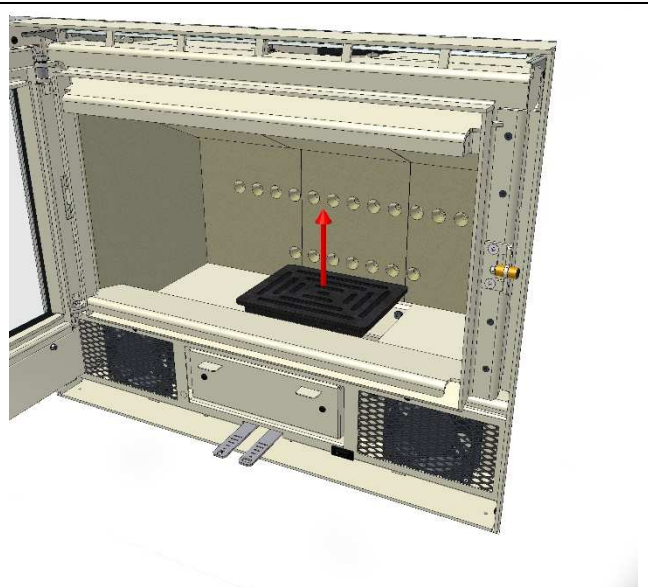
D.16



D.17

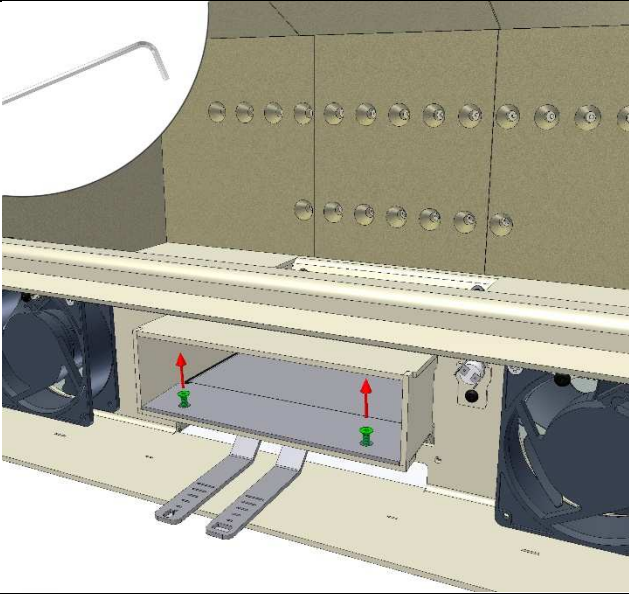


D.18

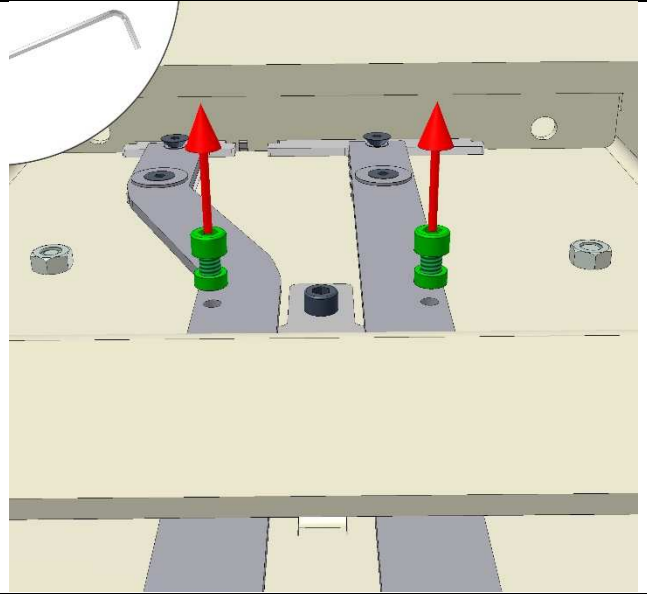


# IV

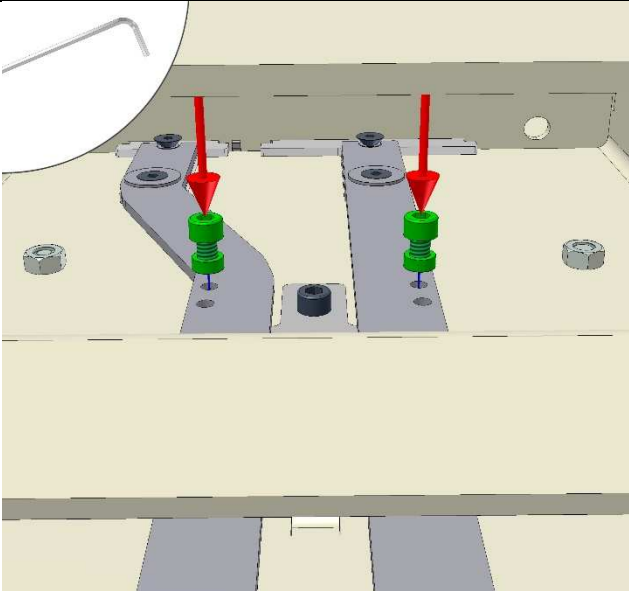
D.19



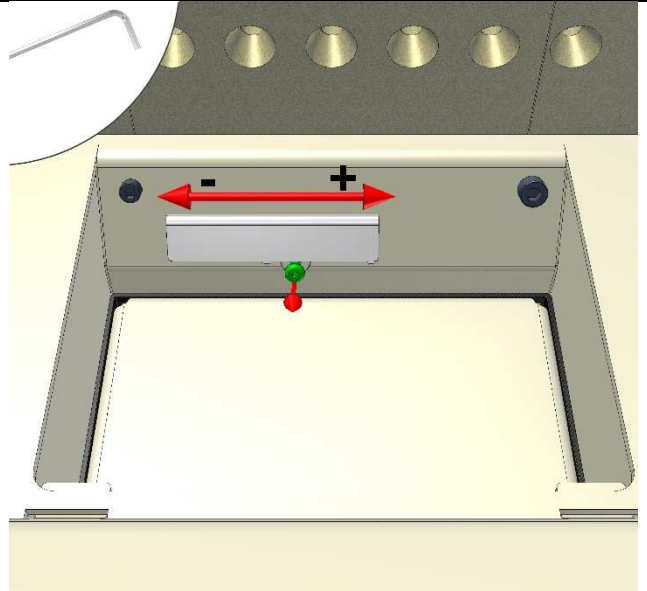
D.20



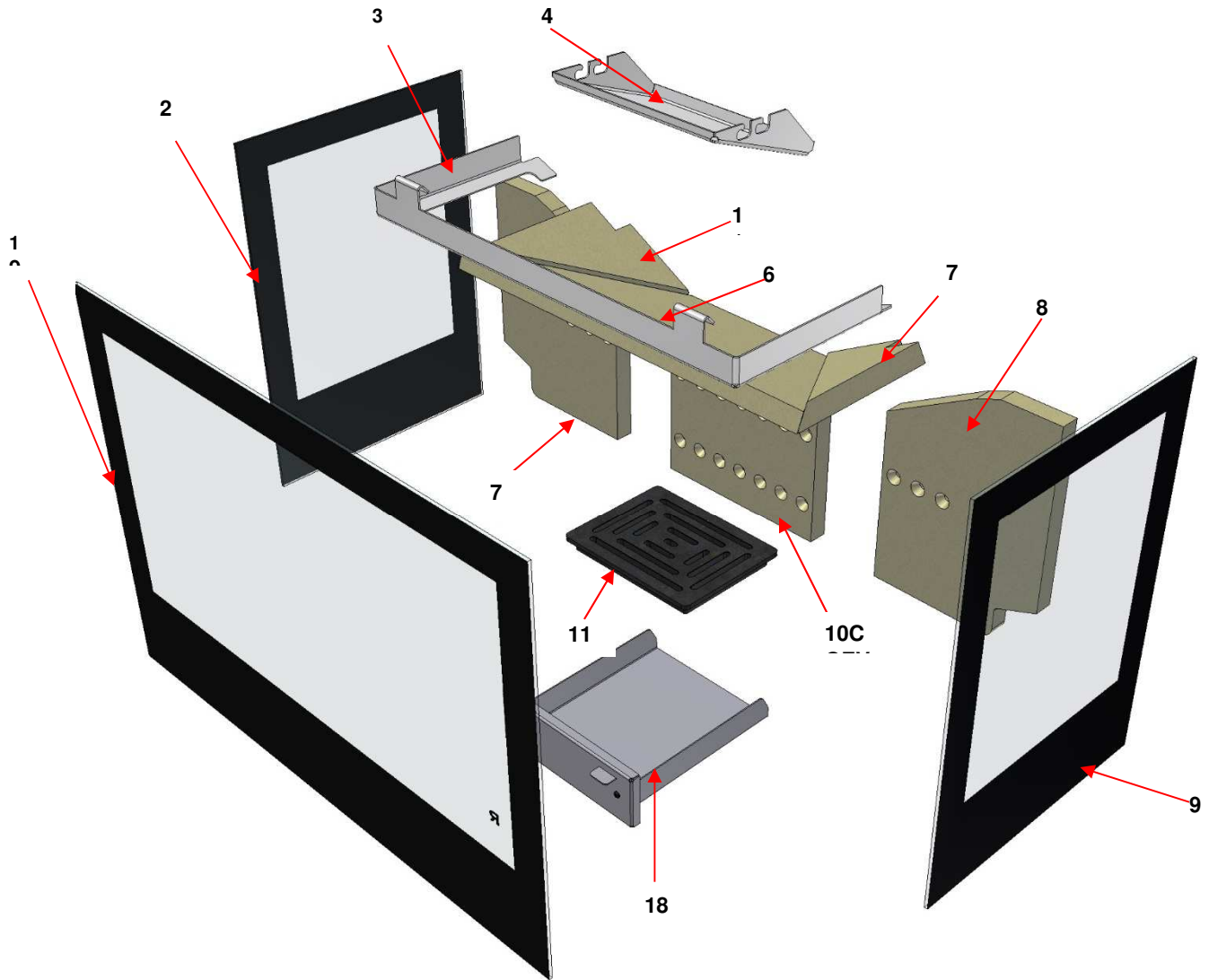
D.21



D.22



# V

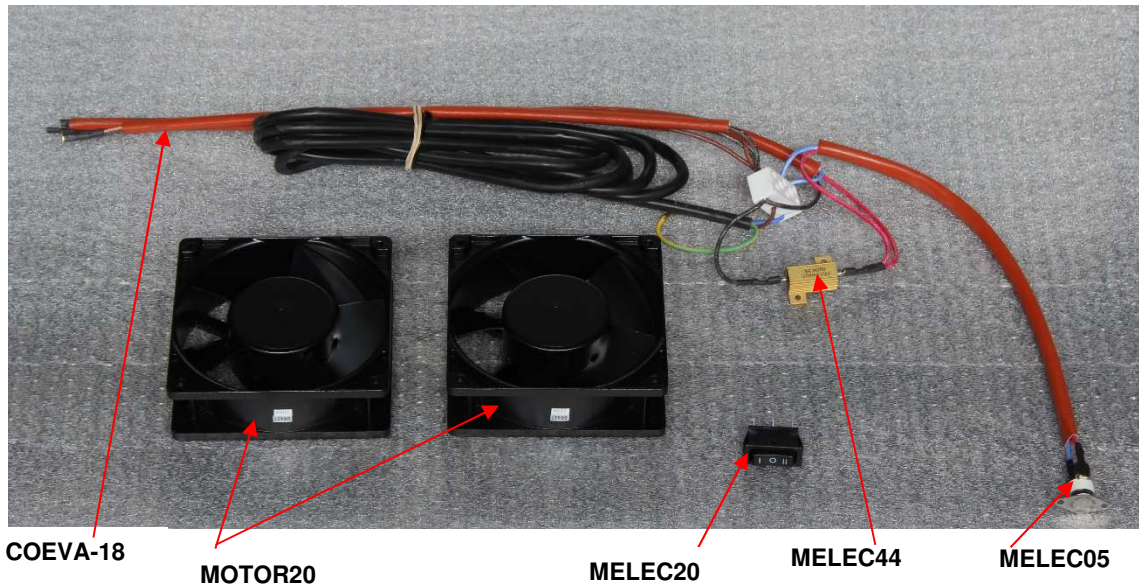


## CODES

|    | Habit 73 TC +T | Habit 93 TC +T |
|----|----------------|----------------|
| 1  | M5963-200/1    | M5965-200/1    |
| 2  | M5963-200/2    | M5965-200/2    |
| 3  | M5963-30       | M5965-30       |
| 4  | M5963-14       | M5965-14       |
| 5  | VRM5963-3      | VRM5965-3      |
| 6  | VRM5963-1      | VRM5965-1      |
| 7  | VRM5963-2      | VRM5965-2      |
| 8  | VRM5963-6      | VRM5965-6      |
| 9  | M5963-200/2    | M5965-200/2    |
| 10 | VRM5963-4      | VRM5963-4      |
| 11 | FUM5900-400    | FUM5900-400    |
| 12 | VRM5963-5      | VRM5965-5      |
| 13 | M5963-28/29    | M5965-28/29    |

# V

## Habit 73 TC +T



## Habit 93 TC +T

