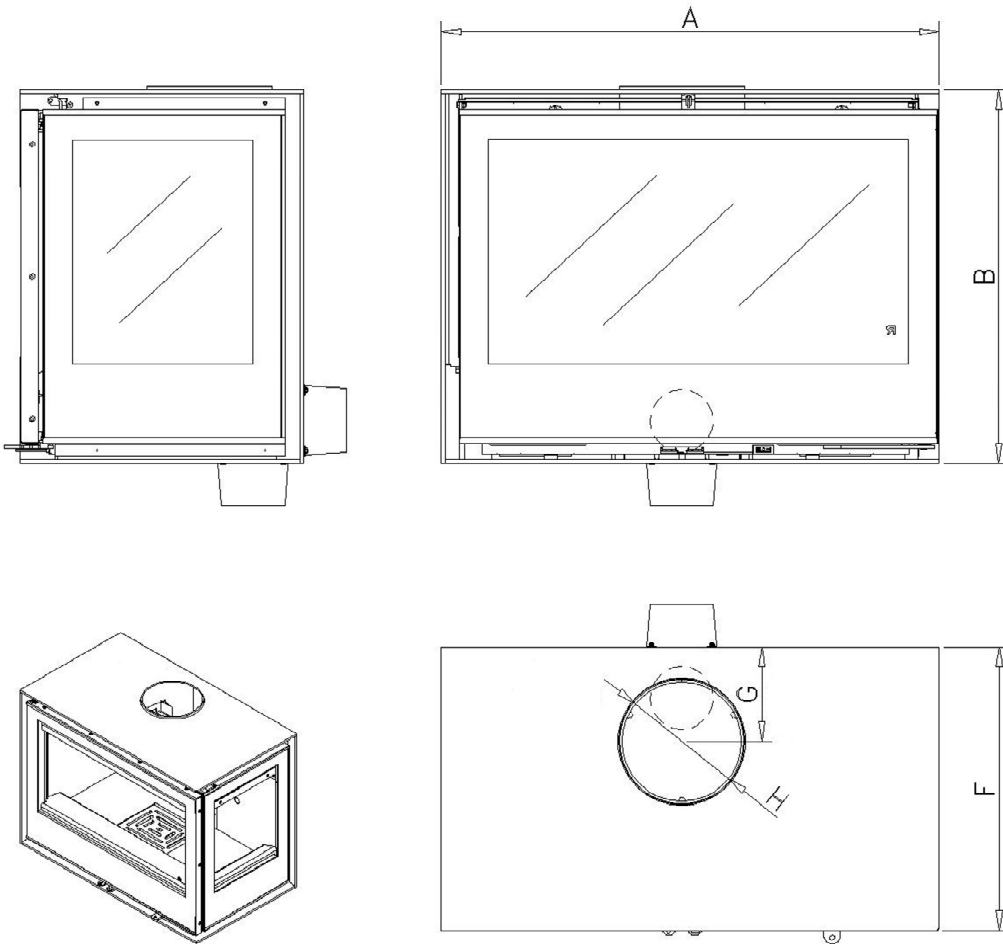


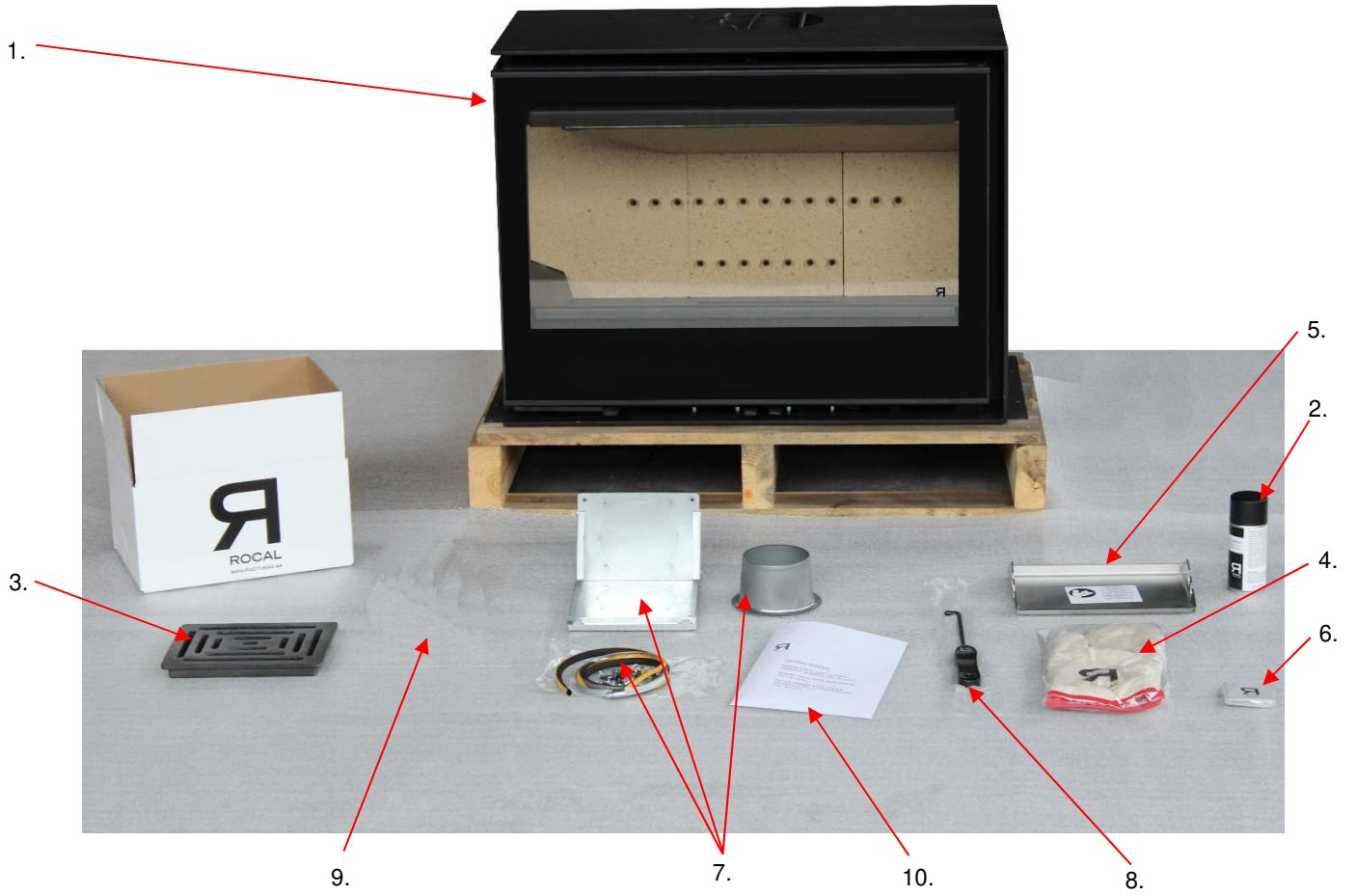
ANEXO/ANNEX/ANNEXE/ANESSO

I



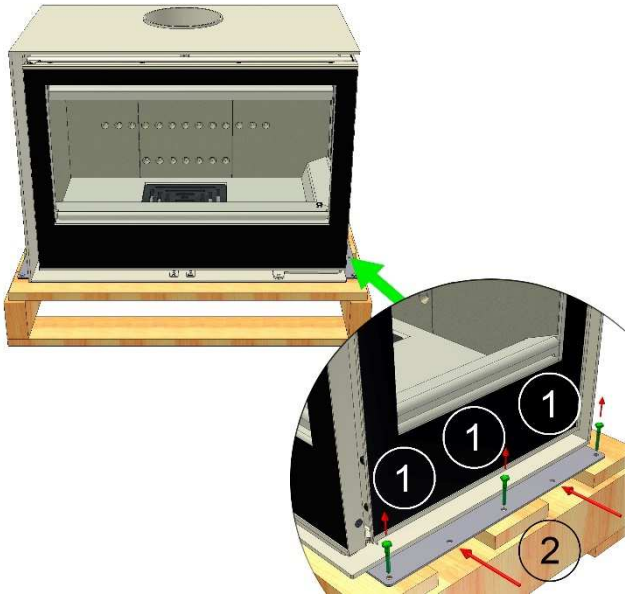
mm	Habit 76 LD +T Habit 76 LI +T
A	755
B	567
F	430
G	143
H	180

II

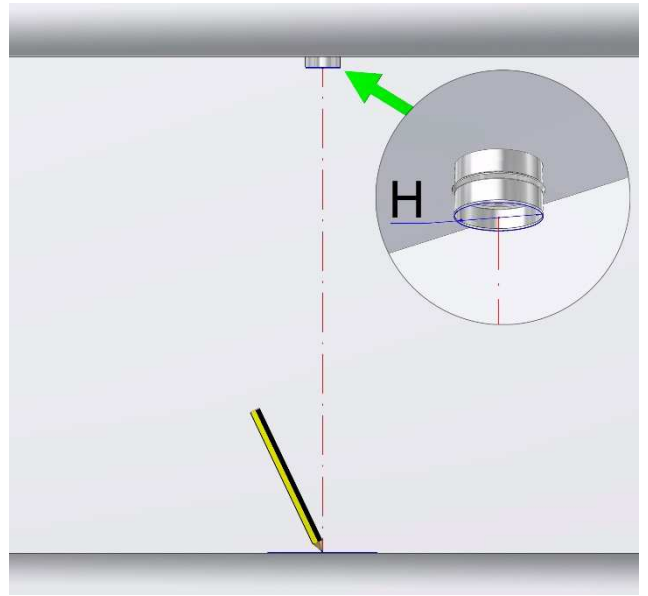


III

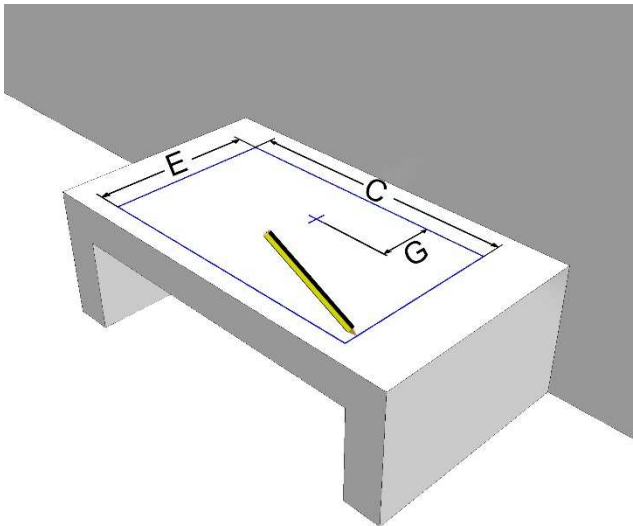
1



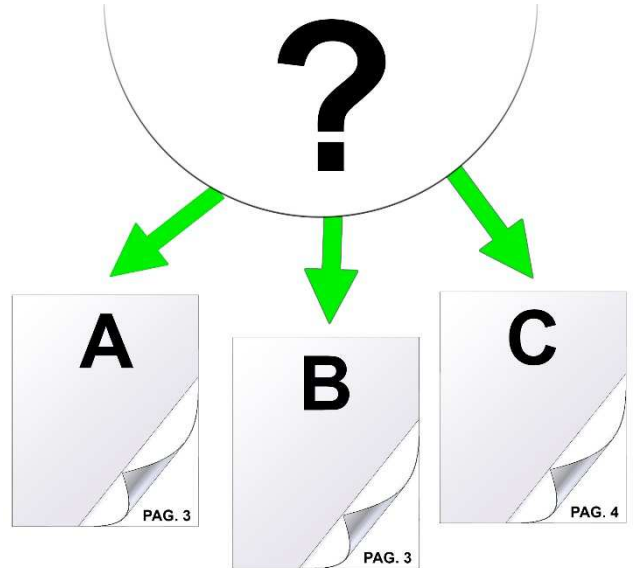
2



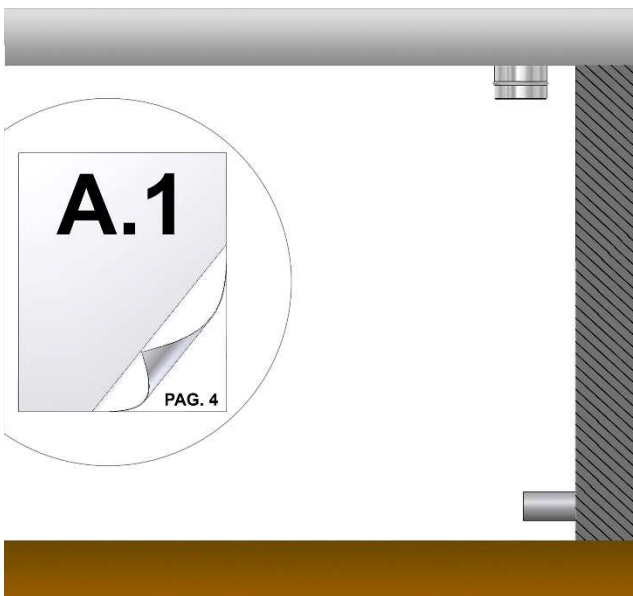
3



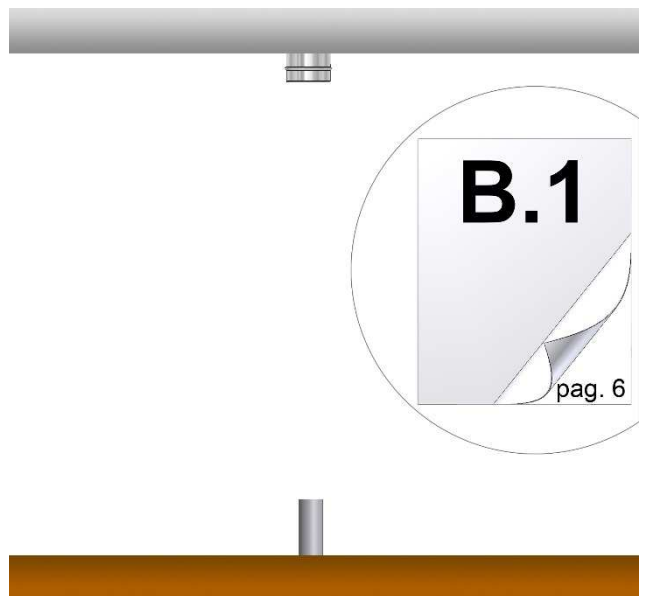
4



A

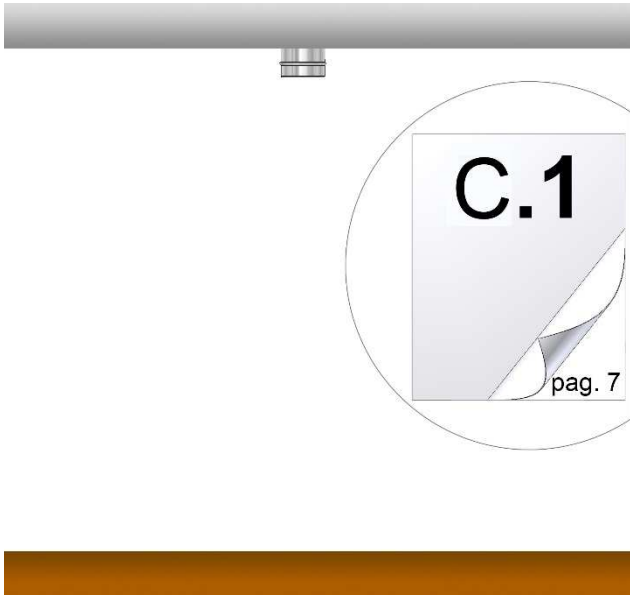


B

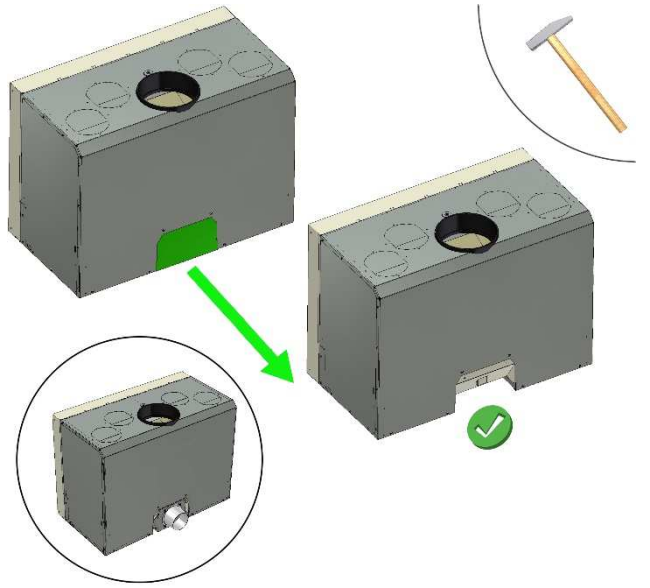


III

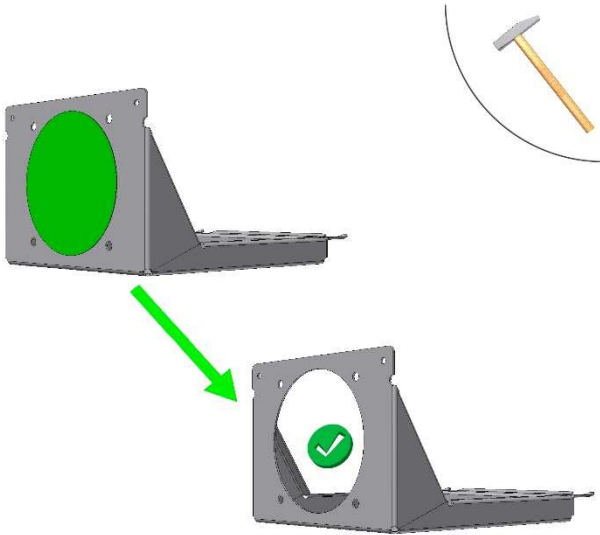
C



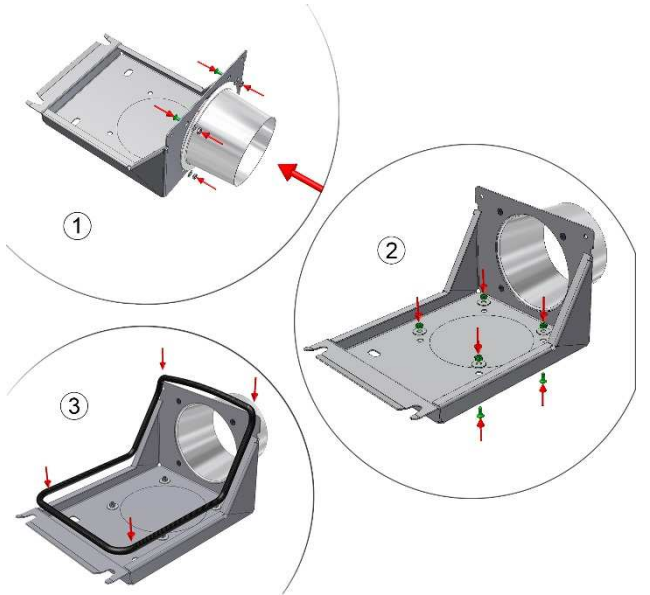
A.1



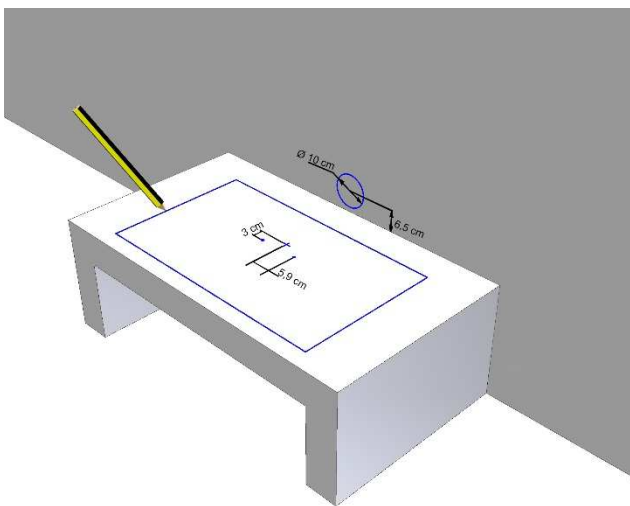
A.2



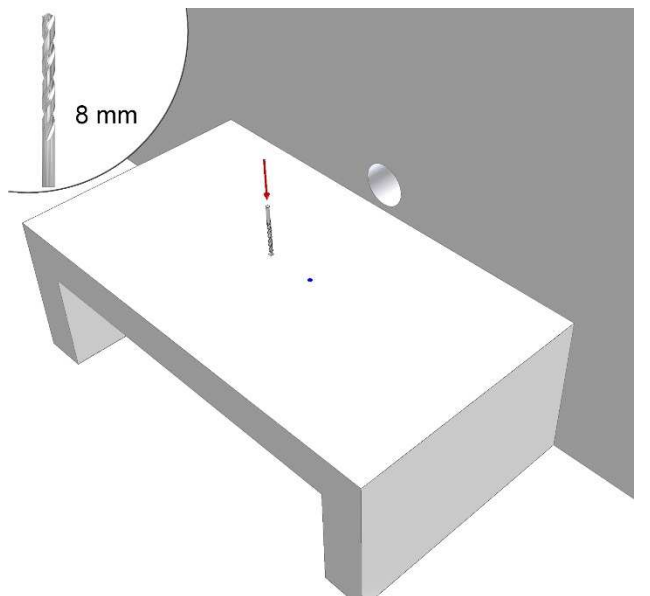
A.3



A.4

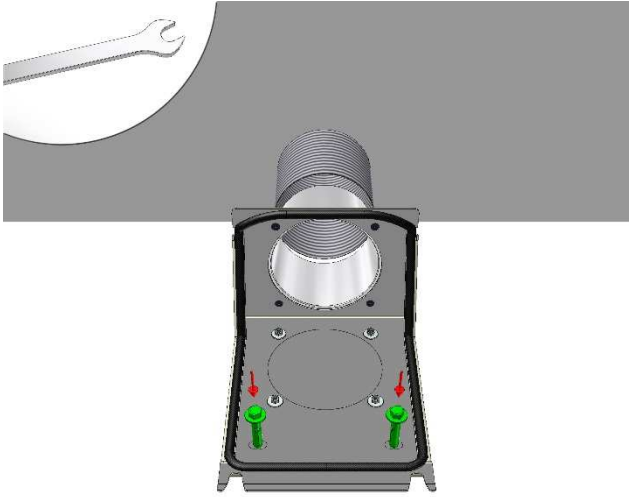


A.5

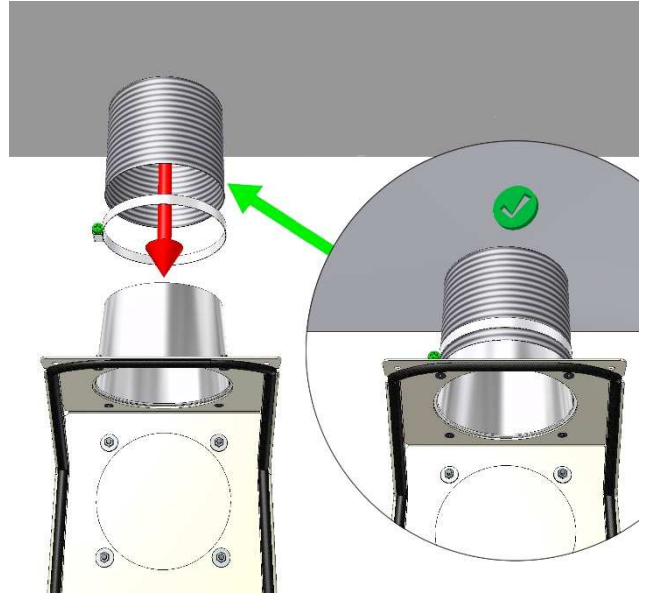


III

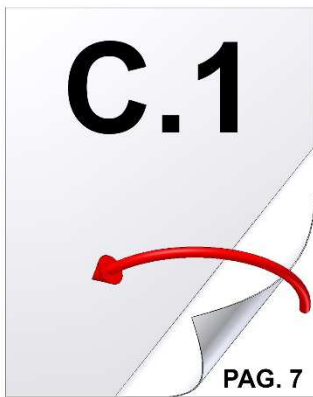
A.6



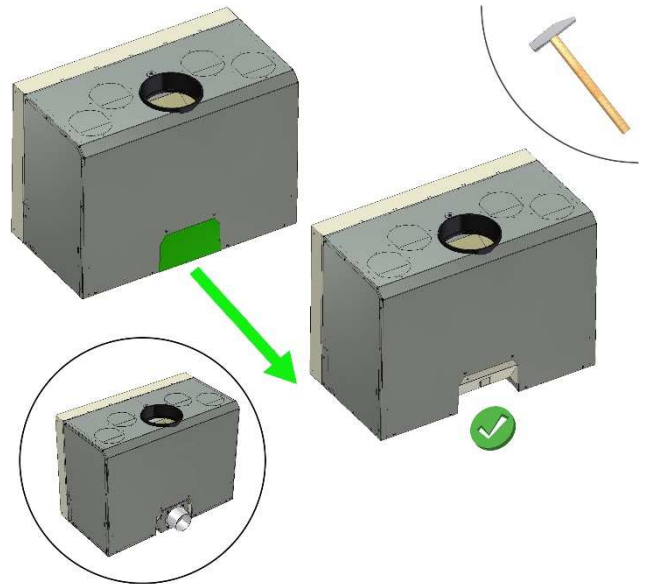
A.7



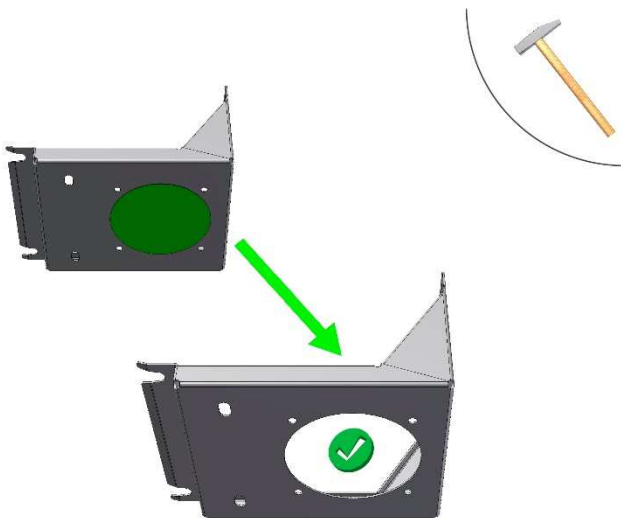
A.8



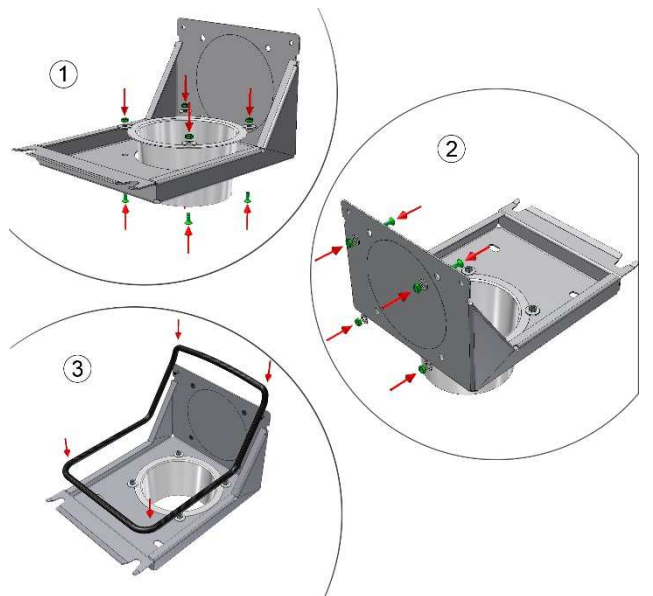
B.1



B.2

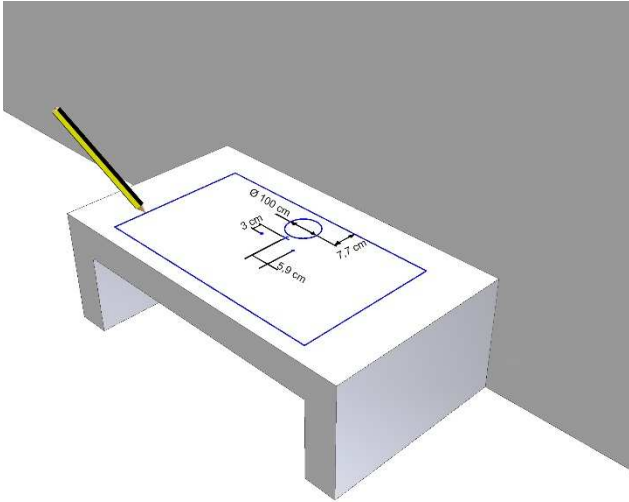


B.3

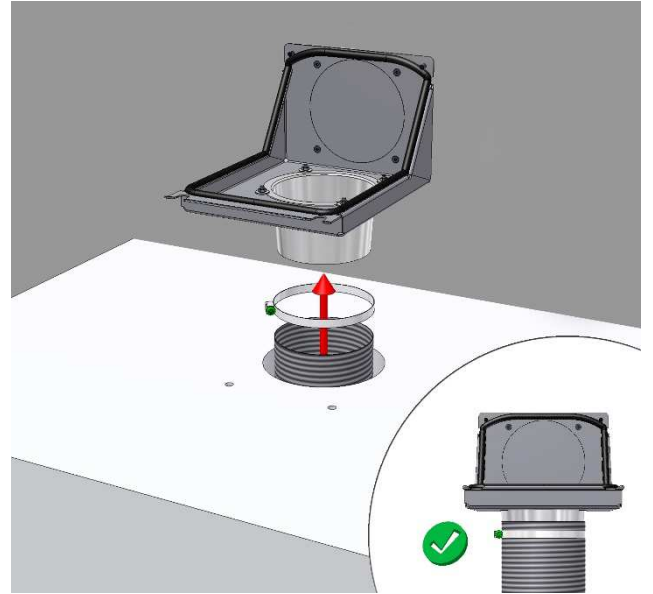


III

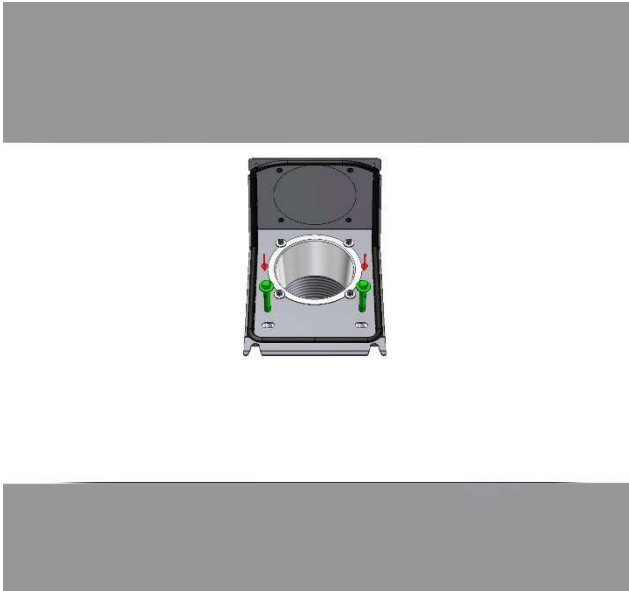
B.4



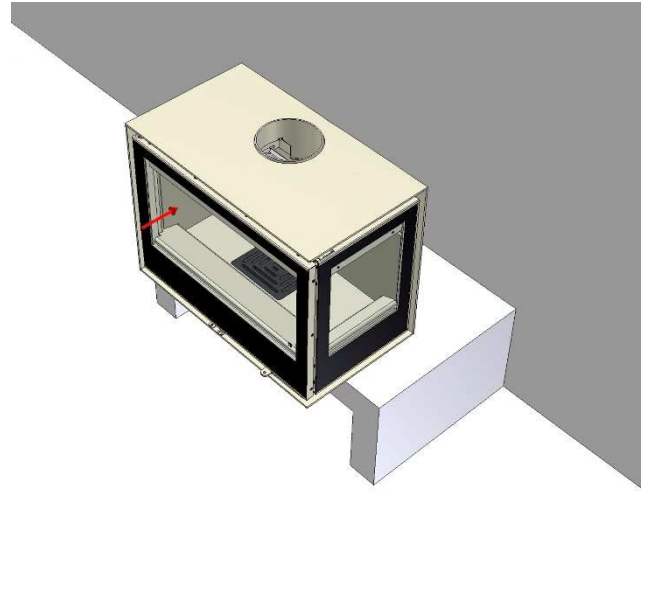
B.5



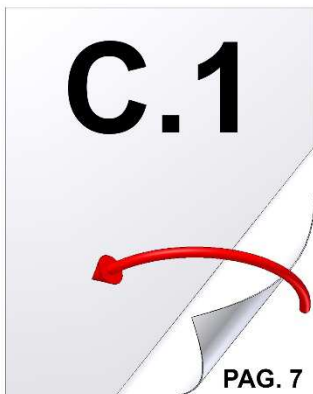
B.6



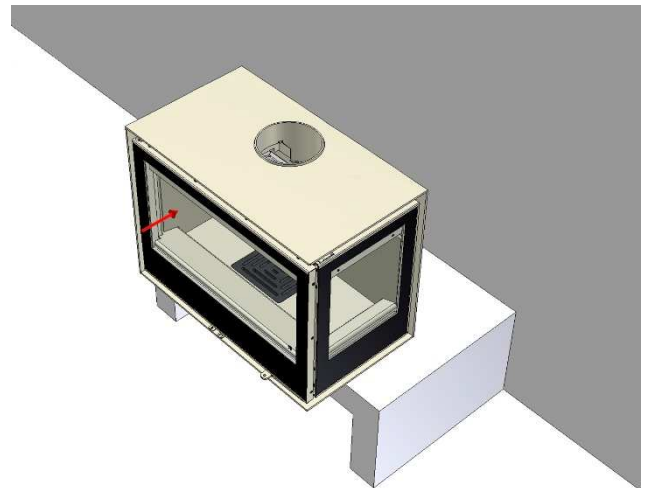
B.7



B.8

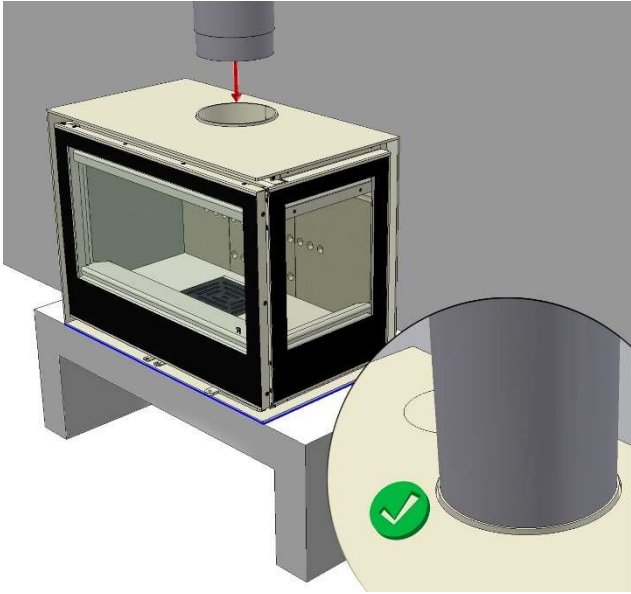


C.1

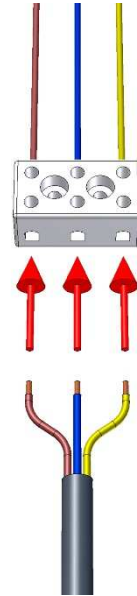


III

C.2



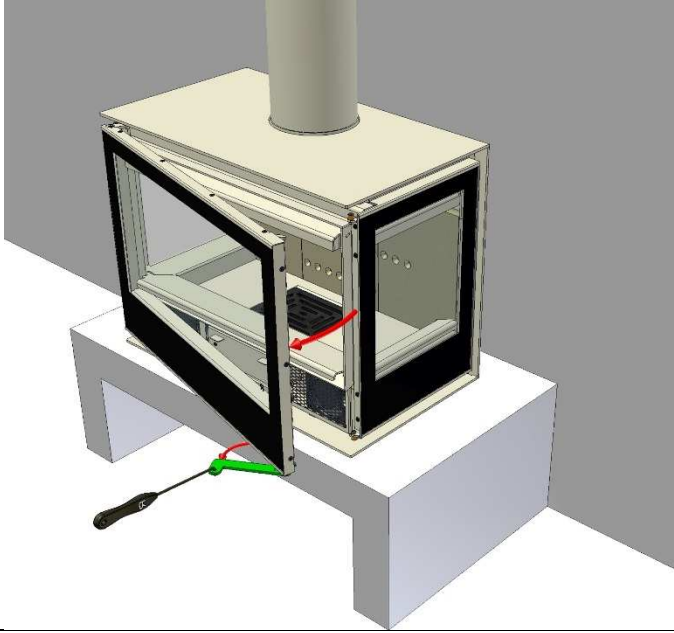
C.3



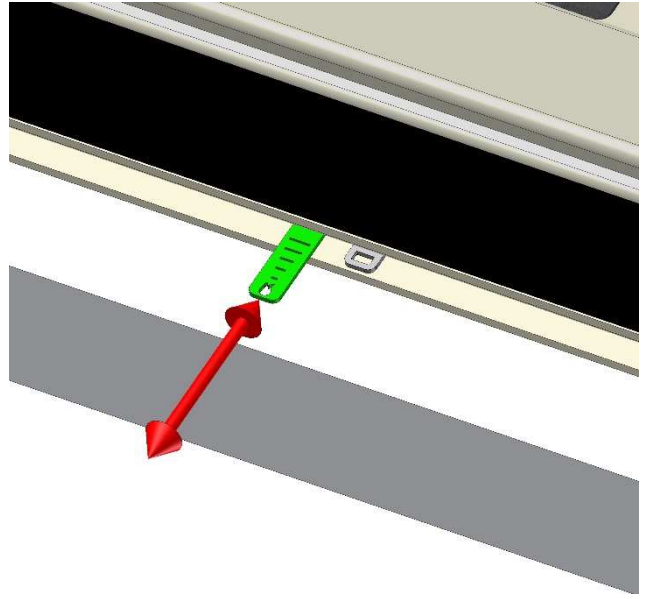
220/230 V AC
50/60 Hz

IV

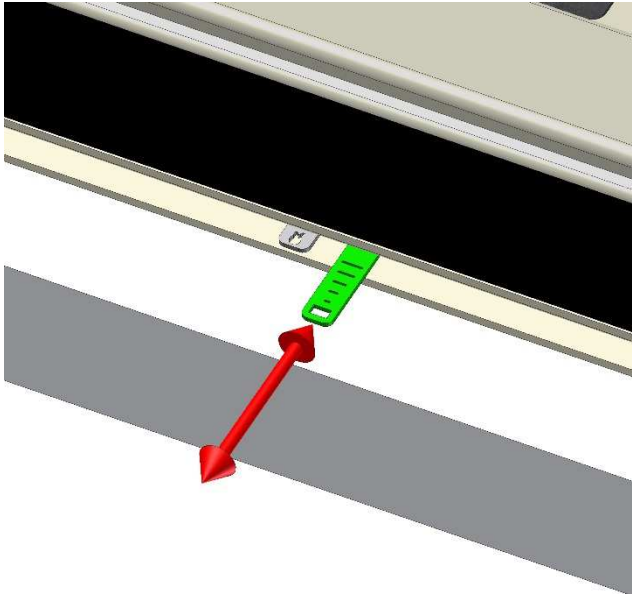
D.1



D.2



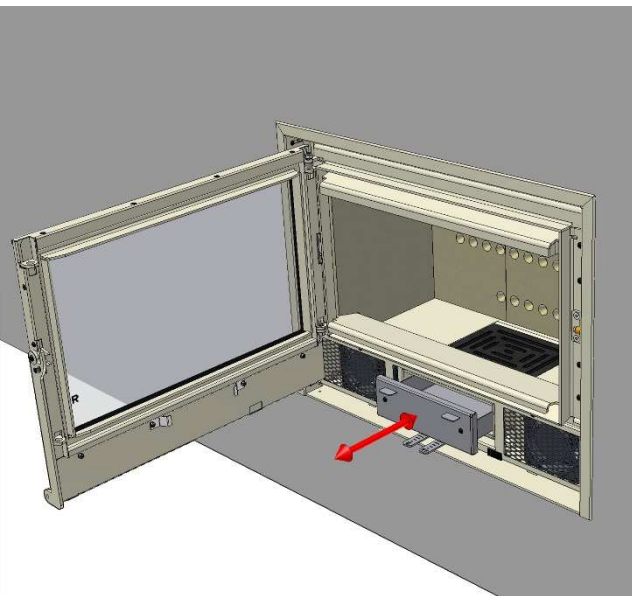
D.3



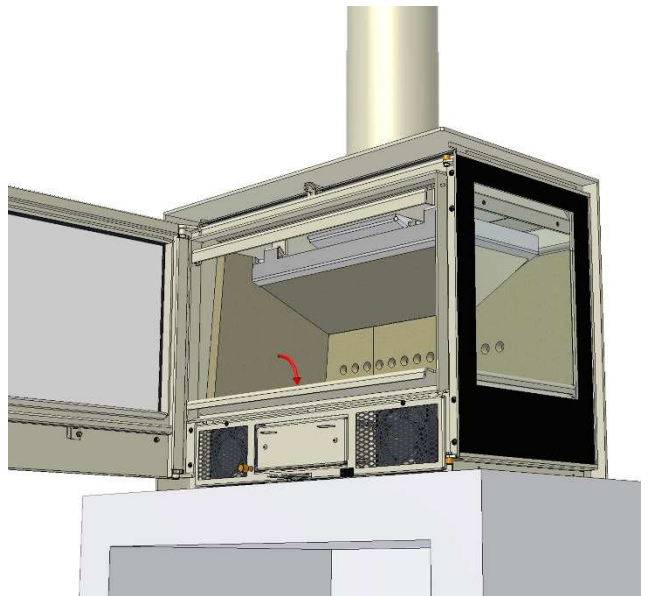
D.4



D.5

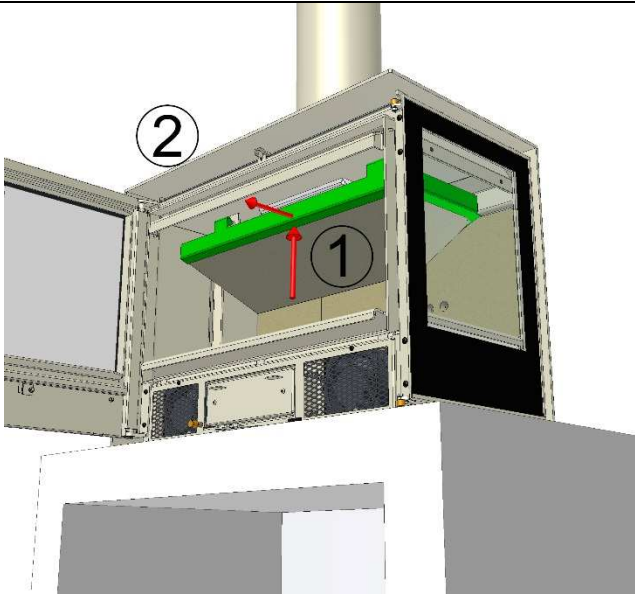


D.6

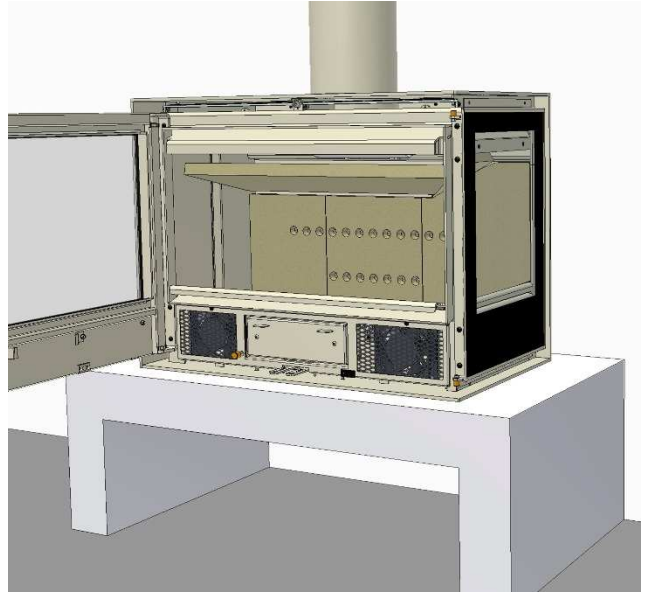


IV

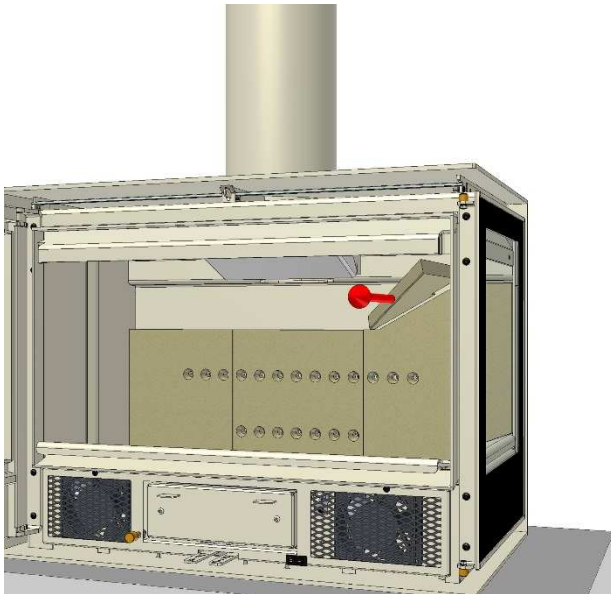
D.7



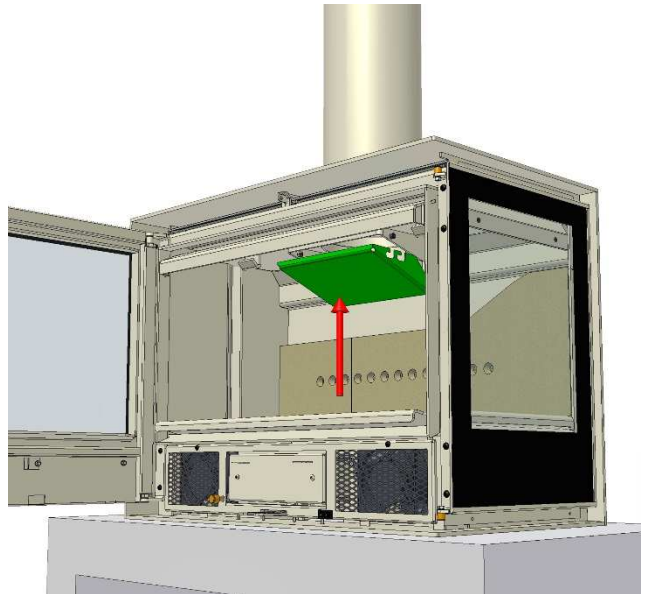
D.8



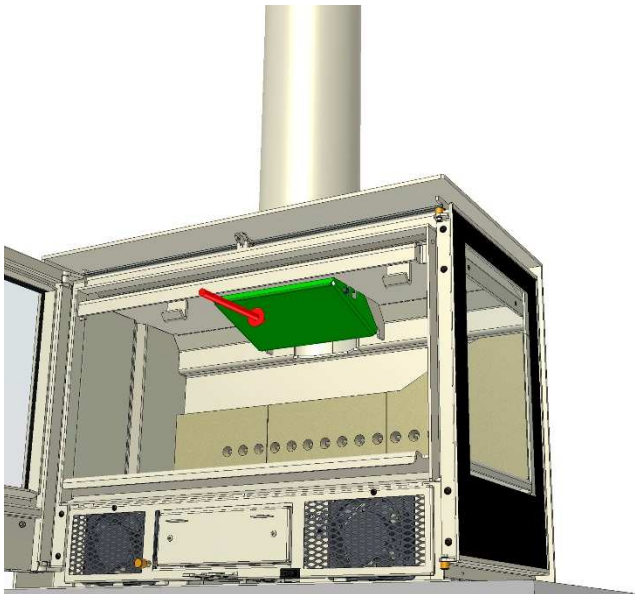
D.9



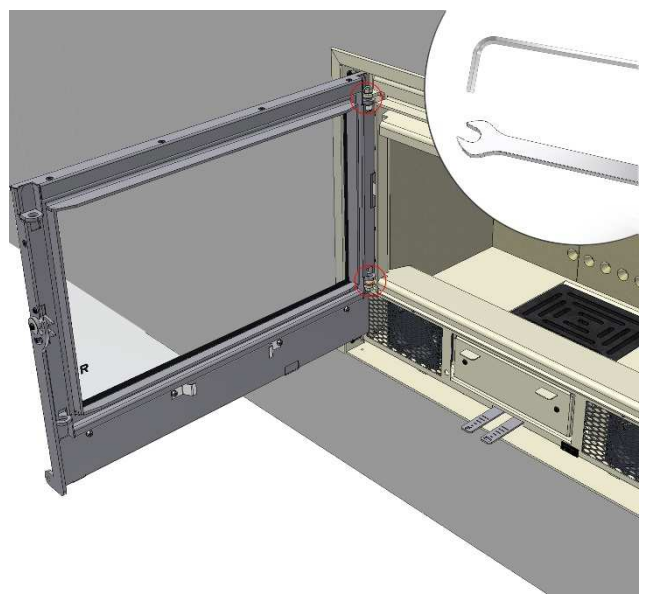
D.10



D.11

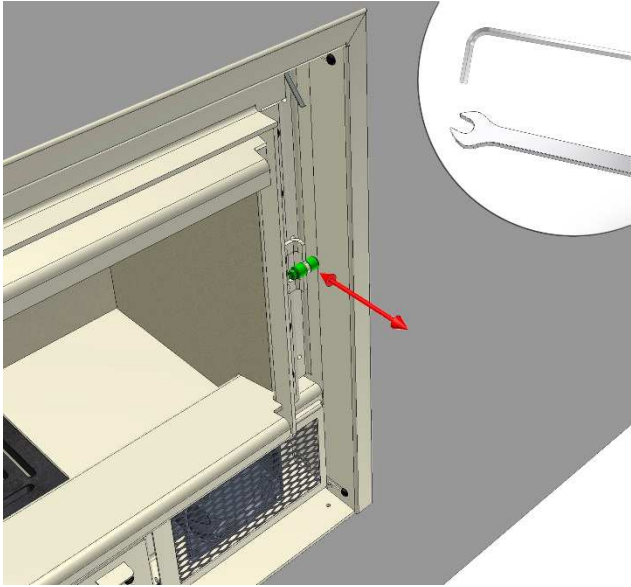


D.12

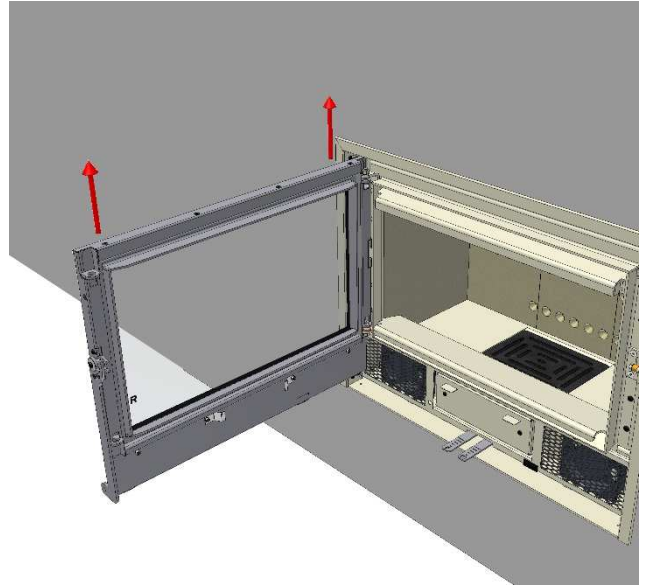


IV

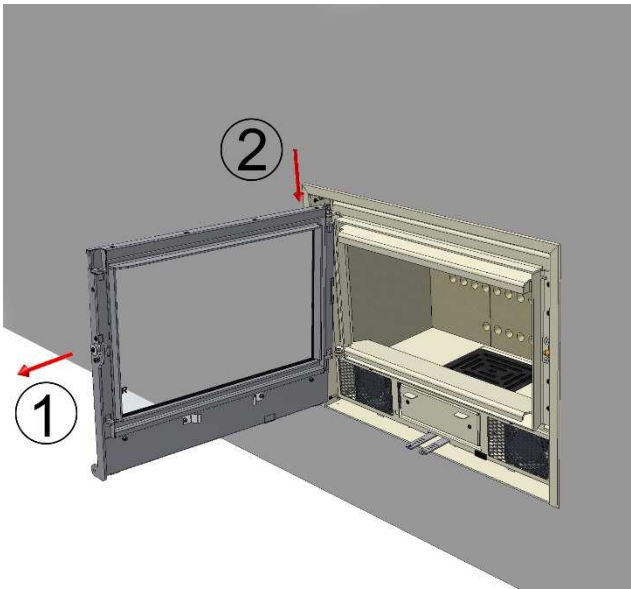
D.13



D.14



D.15



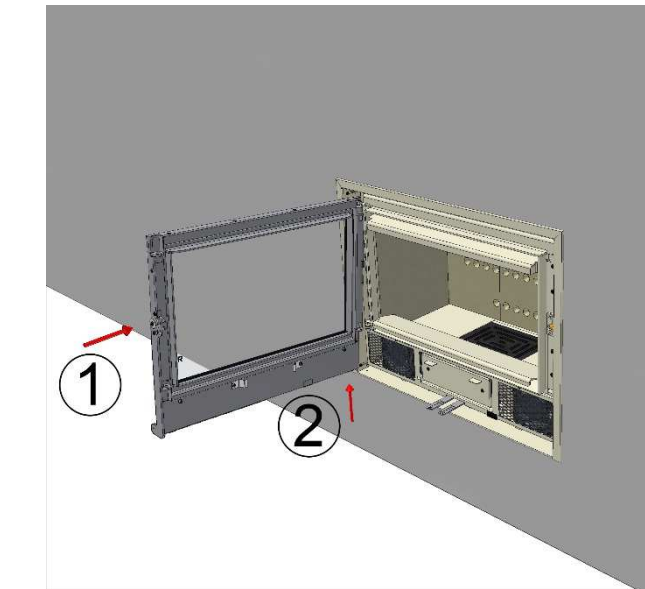
D.16



D.17

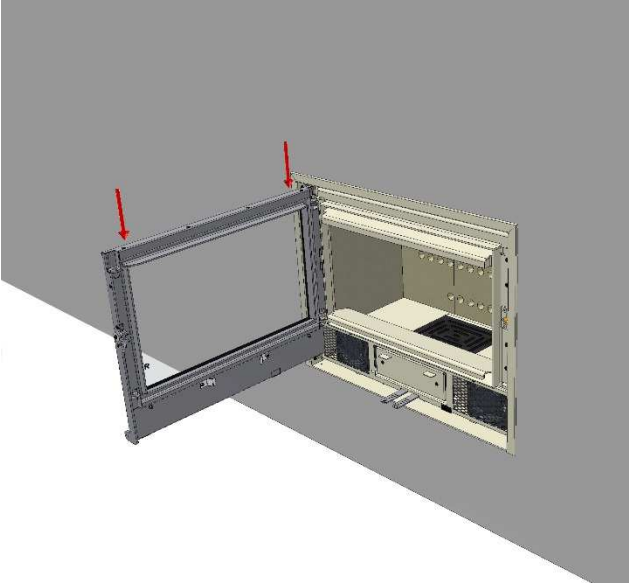


D.18

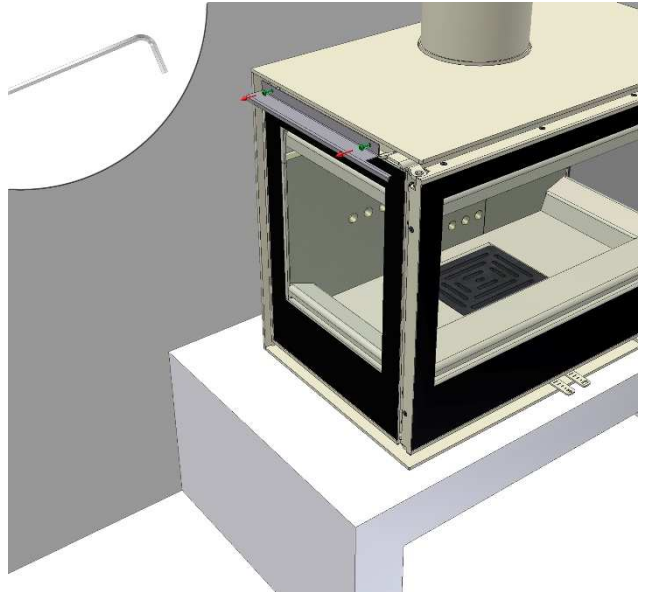


IV

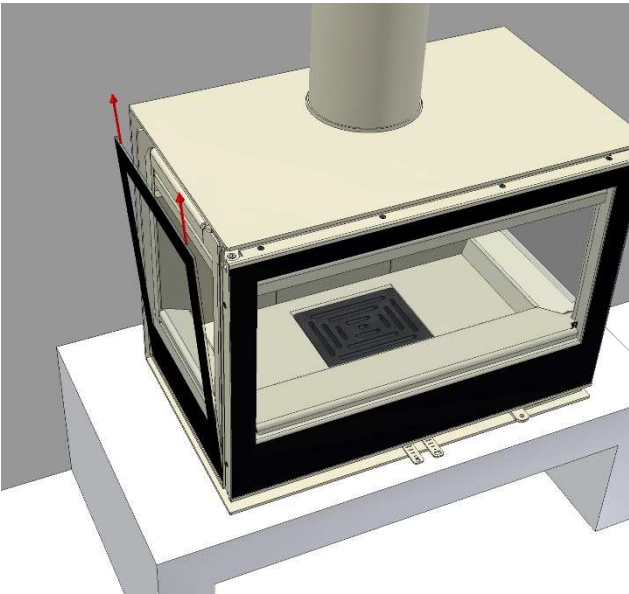
D.19



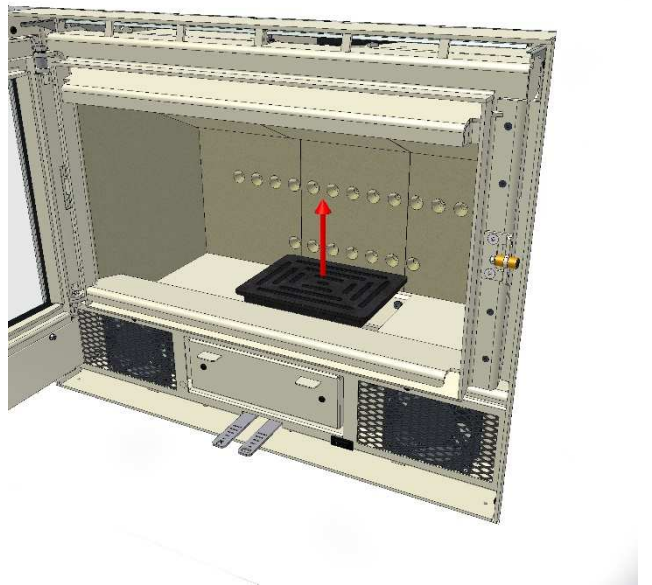
D.20



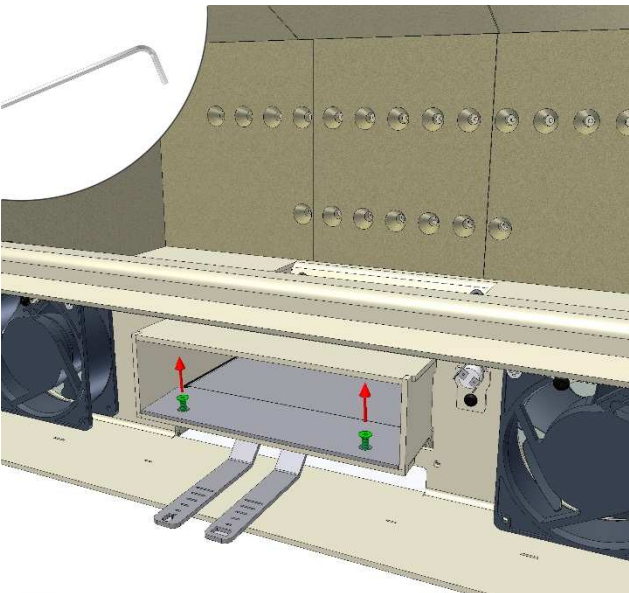
D.21



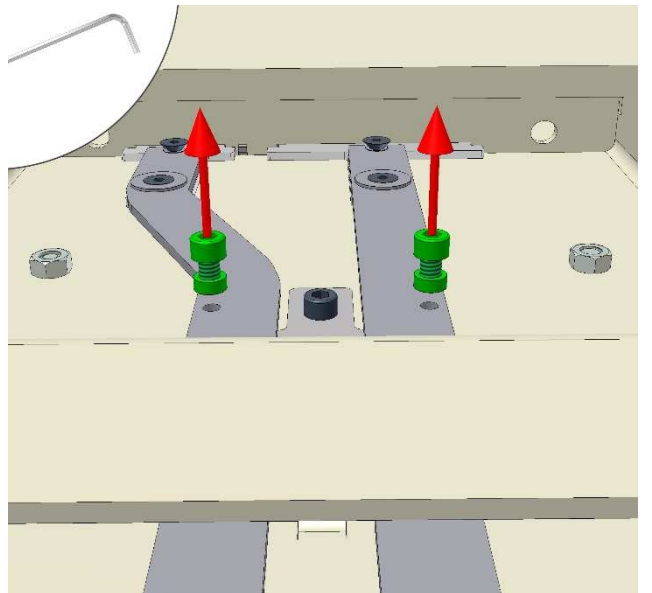
D.22



D.23

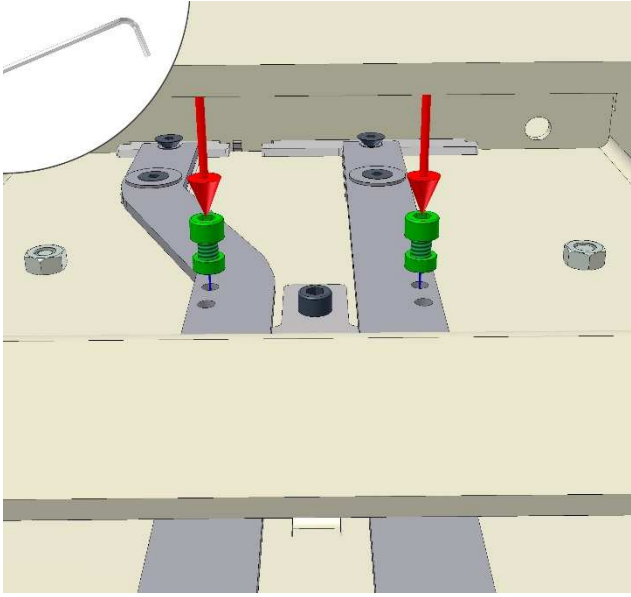


D.24

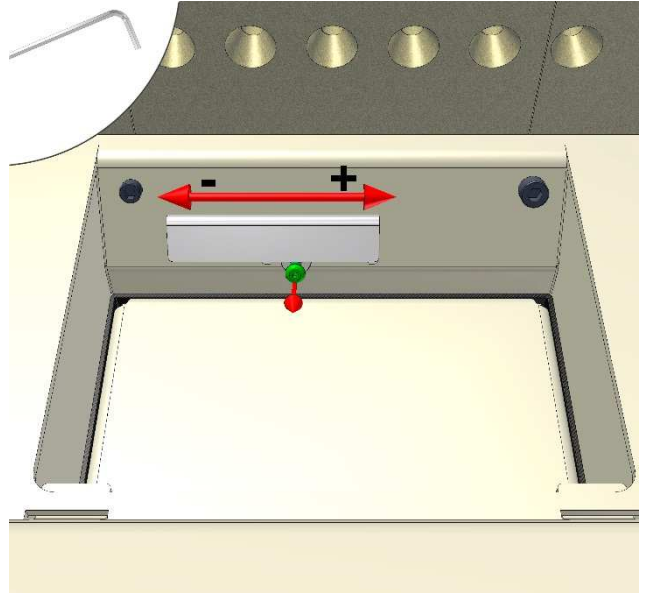


IV

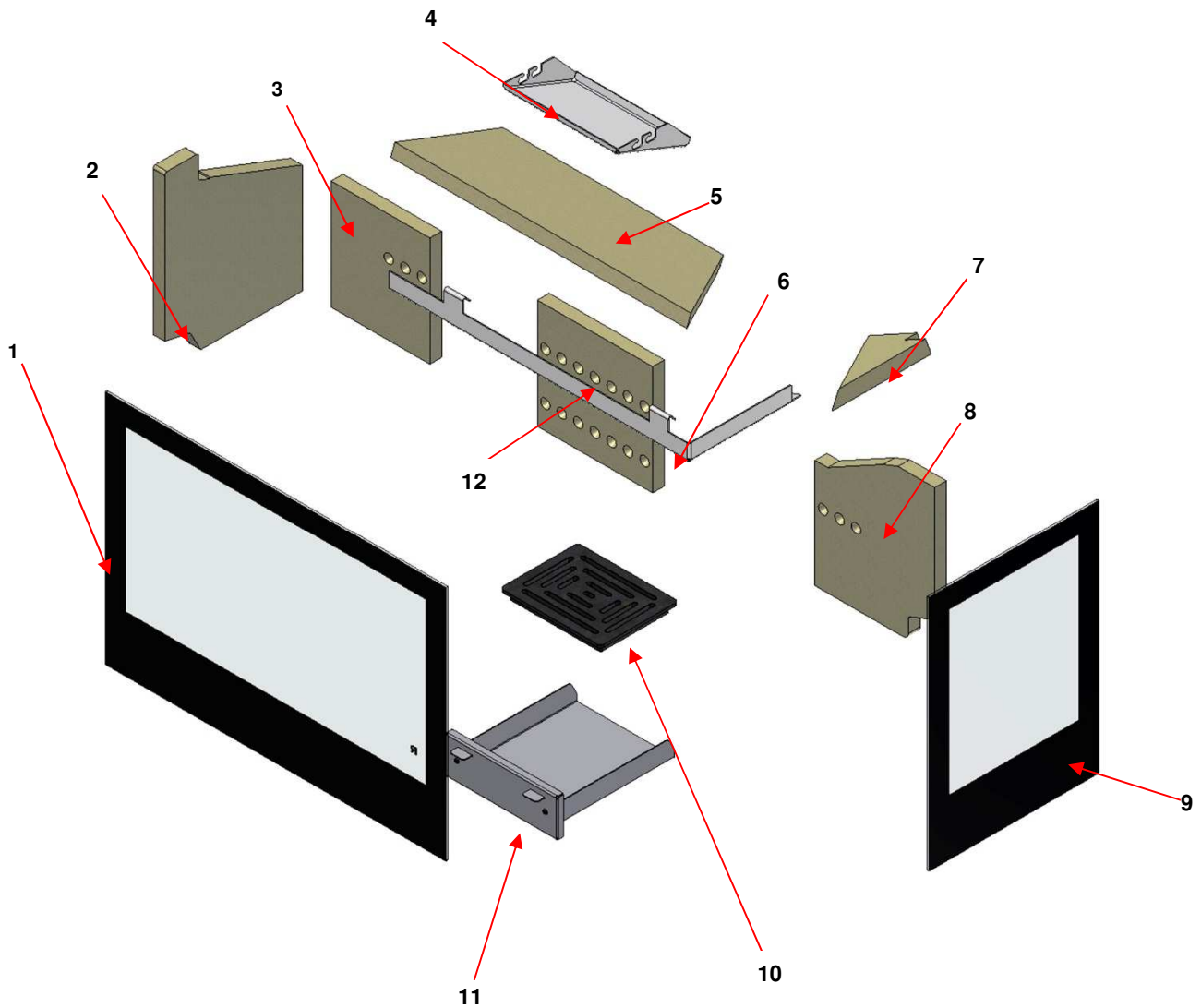
D.25



D.26



V



CODES		
	Habit 76 LD +T	Habit 76 LI +T
1	M5746-200	M5746-200
2	VRM5952-6	VRM5953-6
3	VRM5952-4	VRM5953-4
4	M5952-14	M5953-14
5	VRM5952-1	VRM5953-1
6	M5952-30	M5953-30
7	VRM5952-2	VRM5953-2
8	VRM5952-5	VRM5953-5
9	M5952-200b	M5953-200B
10	FUM5900-400	FUM5900-400
11	M5952-28/29	M5953-28/29
12	VRM5952-3	VRM5953-3

V

Habit 76 LD +T , Habit 76 LI +T

